

**RoHS
Compliant**




Specifications

Action : DPDT
 Contact Rating : 15A at 250V AC, 20A at 125V AC
 Max. Contact Resistance : 20mΩ
 Dielectric Strength : 1,500Vrms
 Min. Insulation Resistance : 200MΩ at 500V DC
 Operating Life : 40,000 cycles
 Operating Temperature : -30°C to +85°C

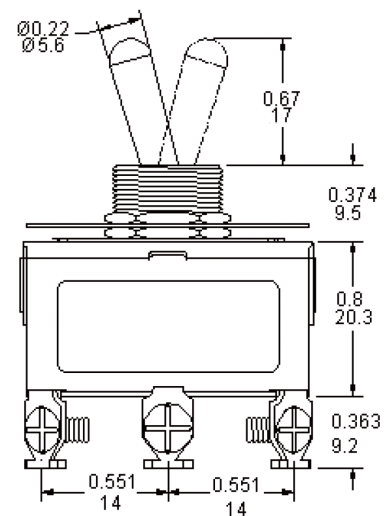
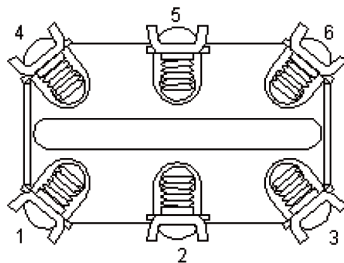
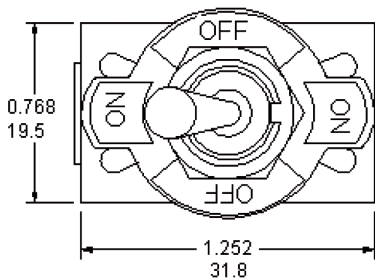
Material

Actuator : Brass, chrome plated
 Bushing : Brass, nickel plated
 Contact : Silver alloy
 Support : Brass, tin plated
 Terminal : SPC21168, SPC21180 - Brass, nickel plated (Screw / Long)
 Terminal : SPC21172 - Brass, tin plated (Solder)
 Terminal : SPC21165 - Bare brass, (Flat)



Model No.	Switching Position		
			
SPC21165 SPC21168 SPC21172	ON	NONE	OFF
SPC21180	MOM	NONE	OFF
Conn. Terms	1-3 4-6	NONE	OPEN
No. Poles	DPDT		

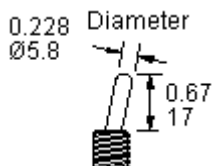
Diagram



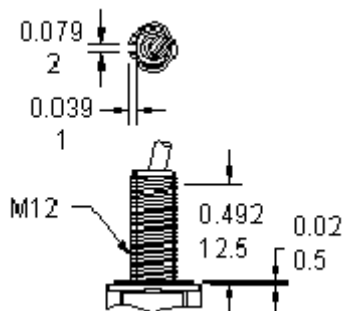
Dimensions : Inches (Millimetres)

Newark.com/multicomp-pro
 Farnell.com/multicomp-pro
 Element14.com/multicomp-pro

Actuator



Bushing



Part Number Table

Description	Part Number
Toggle Switch, On-Off, DPST, Non Illuminated, 20A, Panel Mount	SPC21165
Toggle Switch, On-Off, DPST, Non Illuminated, 20A, Panel Mount	SPC21168
Toggle Switch, On-Off, DPST, Non Illuminated, 20A, Panel Mount	SPC21172
Toggle Switch, (On)-On, DPST, Non Illuminated, 20A, Panel Mount	SPC21180

Dimensions : Inches (Millimetres)

Important Notice : This data sheet and its contents (the "Information") belong to the members of the AVNET group of companies (the "Group") or are licensed to it. No licence is granted for the use of it other than for information purposes in connection with the products to which it relates. No licence of any intellectual property rights is granted. The Information is subject to change without notice and replaces all data sheets previously supplied. The Information supplied is believed to be accurate but the Group assumes no responsibility for its accuracy or completeness, any error in or omission from it or for any use made of it. Users of this data sheet should check for themselves the Information and the suitability of the products for their purpose and not make any assumptions based on information included or omitted. Liability for loss or damage resulting from any reliance on the Information or use of it (including liability resulting from negligence or where the Group was aware of the possibility of such loss or damage arising) is excluded. This will not operate to limit or restrict the Group's liability for death or personal injury resulting from its negligence. Multicomp Pro is the registered trademark of Premier Farnell Limited 2019.

Newark.com/multicomp-pro
Farnell.com/multicomp-pro
Element14.com/multicomp-pro