

# RF Coaxial Connector N Plug for 7/8" Cable

**multicomp** PRO

**RoHS  
Compliant**



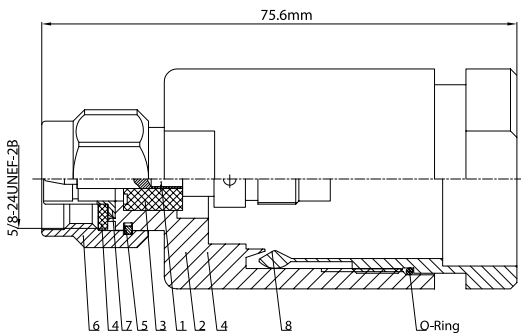
## Description

N Connectors are screw-type coupling and provide sturdy reliable connection. These connectors are available for flexible, semi-rigid and corrugated cable.

## Specifications

Impedance : 50Ω  
 Frequency : 0-11GHz  
 Working Voltage : 1000V Max.  
 Insulation Resistance : ≥5000MΩ  
 Dielectric Withstanding Voltage : 1500V  
 48 hours salt spray

## Diagram



No.	Description	Material	Plated	Qty.
1	Centre Contact	Brass	Gold	1
2	Body	Brass	Nickel	
3	Insulator	PTFE	-	
4	Seal	Rubber	-	
5	Washer	QSnCu	Nickel	
6	Nut	Brass		
7	Bush			
8	Body			

## Part Number Table

Description	Part Number
RF Coaxial Connector, N Plug, 7/8" Cable, 50Ω, 0-11GHz	MC002118

**Important Notice :** This data sheet and its contents (the "Information") belong to the members of the AVNET group of companies (the "Group") or are licensed to it. No licence is granted for the use of it other than for information purposes in connection with the products to which it relates. No licence of any intellectual property rights is granted. The Information is subject to change without notice and replaces all data sheets previously supplied. The Information supplied is believed to be accurate but the Group assumes no responsibility for its accuracy or completeness, any error in or omission from it or for any use made of it. Users of this data sheet should check for themselves the Information and the suitability of the products for their purpose and not make any assumptions based on information included or omitted. Liability for loss or damage resulting from any reliance on the Information or use of it (including liability resulting from negligence or where the Group was aware of the possibility of such loss or damage arising) is excluded. This will not operate to limit or restrict the Group's liability for death or personal injury resulting from its negligence. Multicomp Pro is the registered trademark of Premier Farnell Limited 2019.

Newark.com/multicomp-pro  
 Farnell.com/multicomp-pro  
 Element14.com/multicomp-pro

**multicomp** PRO