

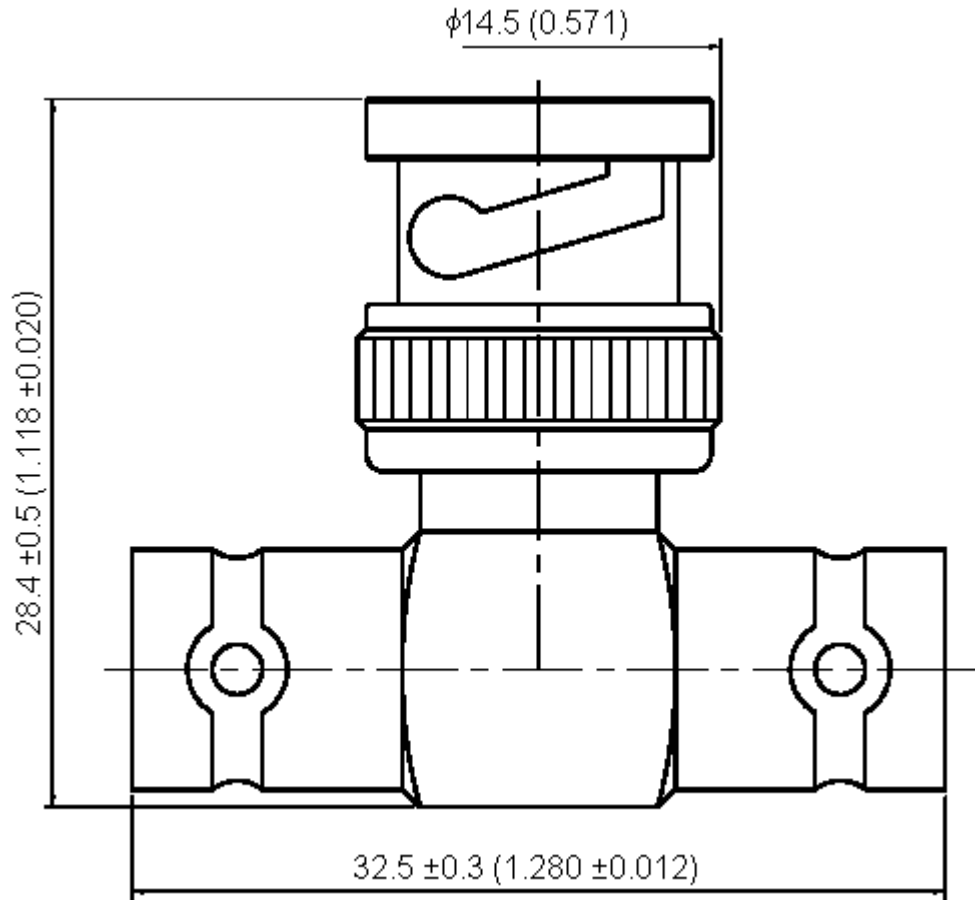


PART NO.

13-39-2 DGN

REVISIONS

ECN #	REV	DESCRIPTION	DRAWN	DATE	CHECKD	DATE	APPRVD	DATE
-	A	RELEASED	Sapna	06/9/07	Suresh	06/9/07	G. C	21/9/07



Dimensions : Millimetres (Inches)

Specifications:

Bodies : Brass per JIS-C3604.
 Centre Contact : Brass per JIS-C3604.
 Connector interface per MIL-STD-348A.
 Part to be clean and free of burrs.

This data sheet and its contents (the "Information") belong to the Premier Farnell Group (the "Group") or are licensed to it. No licence is granted for the use of it other than for information purposes in connection with the products to which it relates. No licence of any intellectual property rights is granted. The Information is subject to change without notice and replaces all data sheets previously supplied. The Information supplied is believed to be accurate but the Group assumes no responsibility for its accuracy or completeness, any error in or omission from it or for any use made of it. Users of this data sheet should check for themselves the Information and the suitability of the products for their purpose and not make any assumptions based on information included or omitted. Liability for loss or damage resulting from any reliance on the Information or use of it (including liability resulting from negligence or where the Group was aware of the possibility of such loss or damage arising) is excluded. This will not operate to limit or restrict the Group's liability for death or personal injury resulting from its negligence. SPC MULTICOMP is the registered trademark of the Group. © Premier Farnell plc 2007.

TOLERANCES:
 UNLESS OTHERWISE SPECIFIED, DIMENSIONS ARE FOR REFERENCE PURPOSES ONLY.

DRAWN BY:	DATE:
Sapna	06/09/07
CHECKED BY:	DATE:
Suresh	06/09/07
APPROVED BY:	DATE:
G.Cook	21/09/07

DRAWING TITLE:			
13-39-2 DGN			
SIZE	DWG NO.	ELECTRONIC FILE	REV
A	M10000588	1169742_DWG	A
SCALE: NTS	U.O.M.: mm (Inches)	SHEET: 1 OF 2	



PART NO.

13-39-2 DGN

REVISIONS

ECN #	REV	DESCRIPTION	DRAWN	DATE	CHECKD	DATE	APPRVD	DATE
-	A	RELEASED	Sapna	06/9/07	Suresh	06/9/07	G. C	21/9/07

Specification Table

Number	Description	Material	Finish	Part Number
1	Body I	Brass	Nickel 100µ" Minimum	13-39-2 DGN
2	Centre Contact I		Gold	
3	Shell	Zinc	Nickel 100µ" Minimum	
4	Body II	Brass	None	
5	Insulation	POM		
6	Gasket	Rubber	Nickel 100µ" Minimum	
7	Washer	Brass		
8	Spring Washer	SK-5		
9	Washer	Brass		
10	Centre Contact II		Nickel 100µ" Minimum	
11	Washer	POM	None	
12	Insulation			

<http://www.farnell.com>
<http://www.newark.com>
<http://www.cpc.co.uk>

This data sheet and its contents (the "Information") belong to the Premier Farnell Group (the "Group") or are licensed to it. No licence is granted for the use of it other than for information purposes in connection with the products to which it relates. No licence of any intellectual property rights is granted. The Information is subject to change without notice and replaces all data sheets previously supplied. The Information supplied is believed to be accurate but the Group assumes no responsibility for its accuracy or completeness, any error in or omission from it or for any use made of it. Users of this data sheet should check for themselves the Information and the suitability of the products for their purpose and not make any assumptions based on information included or omitted. Liability for loss or damage resulting from any reliance on the Information or use of it (including liability resulting from negligence or where the Group was aware of the possibility of such loss or damage arising) is excluded. This will not operate to limit or restrict the Group's liability for death or personal injury resulting from its negligence. SPC MULTICOMP is the registered trademark of the Group. © Premier Farnell plc 2007.

TOLERANCES:
UNLESS OTHERWISE SPECIFIED, DIMENSIONS ARE FOR REFERENCE PURPOSES ONLY.

DRAWN BY:	DATE:
Sapna	06/09/07
CHECKED BY:	DATE:
Suresh	06/09/07
APPROVED BY:	DATE:
G.Cook	21/09/07

DRAWING TITLE:			
13-39-2 DGN			
SIZE	DWG NO.	ELECTRONIC FILE	REV
A	M10000588	1169742_DWG	A
SCALE: NTS	U.O.M.: mm (Inches)	SHEET: 2 OF 2	