

# C2012X8L1E475K125AE

TDK Item Description : C2012X8L1E475KT\*\*\*S

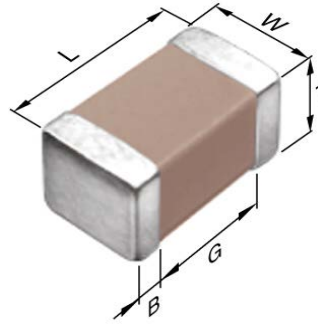


## Application & Main Feature

Commercial Grade ( Soft Termination )

## Series

C2012 [EIA 0805]



## Dimensions

|   |                     |
|---|---------------------|
| L | 2.00mm +0.45,-0.2mm |
| W | 1.25mm +0.25,-0.2mm |
| T | 1.25mm +0.25,-0.2mm |
| B | 0.20mm Min.         |
| G | 0.50mm Min.         |

## Temperature Characteristic

X8L (-55 to 150 degC +15,-40%)

## Rated Voltage

1E(25Vdc)

## Capacitance

4.7uF

## Capacitance Tolerance

K ( $\pm 10\%$ )

## Dissipation Factor

5% Max.

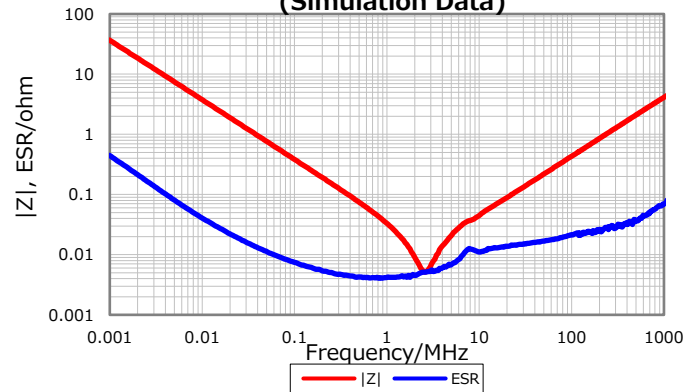
## Insulation Resistance

106Mohm Min.

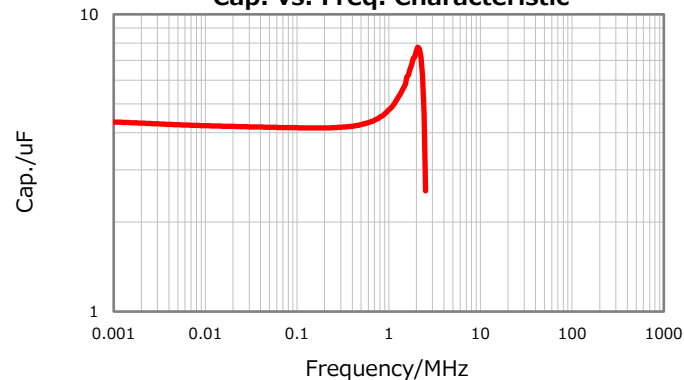
## AEC-Q200

Not Applicable

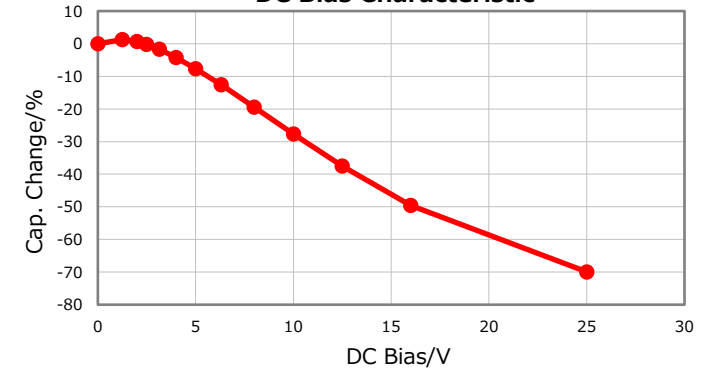
## |Z|, ESR vs. Freq. Characteristics (Simulation Data)



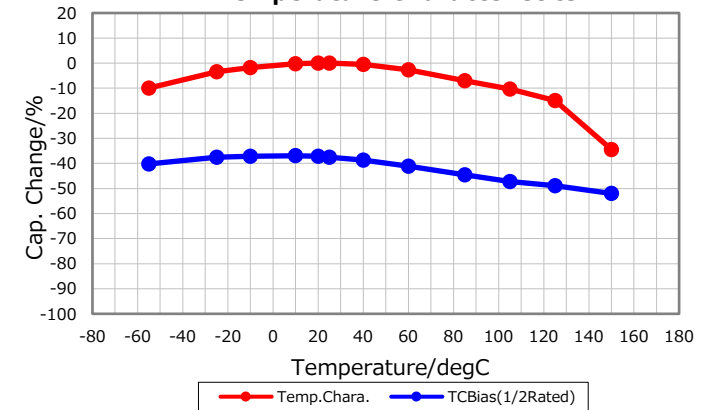
## Cap. vs. Freq. Characteristic



## DC Bias Characteristic



## Temperature Characteristics



## Ripple Temperature Rise Characteristics

