

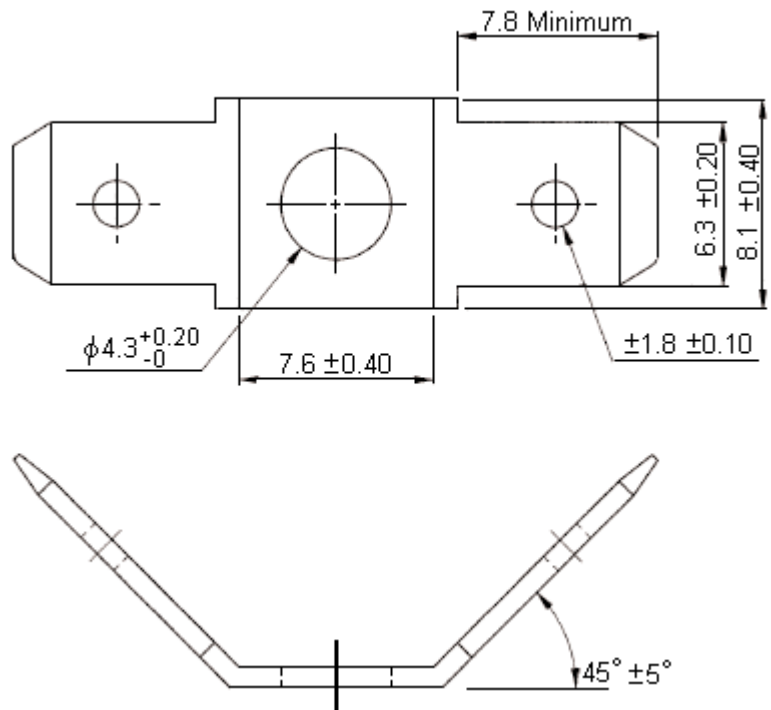


PART NO.

PC2L25004

REVISIONS

ECN #	REV	DESCRIPTION	DRAWN	DATE	CHECKD	DATE	APPRVD	DATE
-	A	RELEASED	Sathya	10/9/07	Suresh	10/9/07	G. C	25/9/07



Dimensions : Millimetres

**Specifications:**

Surface Treatment :

- LR : Loose piece, standard chemical treatment (brass finish).
- LT : Loose piece, tin plated.
- Nema Tab : 0.032 inch x 0.250 inch (0.8mm x 6.35mm).

**Part Number Table**

Description	Part Number
Terminal, Male Double 45 Degree	PC2L25004

<http://www.farnell.com>

<http://www.newark.com>

<http://www.cpc.co.uk>

This data sheet and its contents (the "Information") belong to the Premier Farnell Group (the "Group") or are licensed to it. No licence is granted for the use of it other than for information purposes in connection with the products to which it relates. No licence of any intellectual property rights is granted. The Information is subject to change without notice and replaces all data sheets previously supplied. The Information supplied is believed to be accurate but the Group assumes no responsibility for its accuracy or completeness, any error in or omission from it or for any use made of it. Users of this data sheet should check for themselves the Information and the suitability of the products for their purpose and not make any assumptions based on information included or omitted. Liability for loss or damage resulting from any reliance on the Information or use of it (including liability resulting from negligence or where the Group was aware of the possibility of such loss or damage arising) is excluded. This will not operate to limit or restrict the Group's liability for death or personal injury resulting from its negligence. SPC MULTICOMP is the registered trademark of the Group. © Premier Farnell plc 2007.

**TOLERANCES:**

UNLESS OTHERWISE SPECIFIED, DIMENSIONS ARE FOR REFERENCE PURPOSES ONLY.

DRAWN BY:	DATE:
Sathya	10/09/07
CHECKED BY:	DATE:
Suresh	10/09/07
APPROVED BY:	DATE:
G.Cook	25/09/07

**DRAWING TITLE:**

PC2L25004 - Male Double Terminal 45 Degrees

SIZE A	DWG NO. M10000606	ELECTRONIC FILE PC2L25004_DWG	REV A
SCALE: NTS		U.O.M.: mm	SHEET: 1 OF 1