



Main

Range of product	Harmony ST6
Product or component type	Touch panel screen
Software designation	EcoStruxure Operator Terminal Expert
Processor name	ARM Cortex-A8

Complementary

Display size	7 inch
Display type	Colour TFT LCD
Display colour	16 million colours
Display resolution	800 x 480 pixels WVGA
Touch panel	Single touch analogue resistive
Backlight lifespan	20000 hours with white
Brightness	16 levels
Character font	ASCII ASCII (European characters) Chinese (simplified Chinese) Japanese (ANK, Kanji) Katakana Korean Taiwanese (traditional Chinese)
[Us] rated supply voltage	24 V DC +/- 20 %
Inrush current	30 A
Local signalling	Status LED green, steady for offline Status LED green, steady for operating Status LED green, flashing for operating Status LED green, faded for stand-by Status LED orange, flashing for software starting up Status LED red, steady for power supply (ON) Status LED red, flashing for operating Status LED red, off for power supply (OFF)

Disclaimer: This documentation is not intended as a substitute for and is not to be used for determining suitability or reliability of these products for specific user applications

Power consumption in W	10.4 W
Number of pages	200 application pages
Processor frequency	800 MHz
Port Ethernet	10/100BASE
Memory description	Device memory 1 GB User data memory 128 MB Backup memory 512 kB
Integrated connection type	1 COM1 serial link - female RJ45 - RS232C/RS485 (rate: 2400...115200 bps)bottom 1 USB 2.0 type Aback 1 USB 2.0 type micro Bback 2 Ethernet - female RJ45bottom
Supply	External supply
Realtime clock	Built-in 0...50 °C Built-in 10...90 % RH
Downloadable protocols	Modbus Uni-TE Third party protocols
Product brand	Schneider Electric Modicon Mitsubishi Melsec Omron Sysmac Rockwell Automation Allen-Bradley Siemens Simatic
Fixing mode	Ø 22 mm hole, mounting on 1.5 to 6 mm thick panel conforming to UL 61010-2-201 Ø 22 mm hole conforming to EN 61131-2 Ø 22 mm hole conforming to IEC 61000-6-2
Enclosure material	PC
Front material	Plastic
Marking	CE
Cut-out dimensions	Ø 22.5 mm
Height	137.2 mm
Width	201.2 mm
Depth	57.7 mm
Net weight	0.76 kg

Environment

Immunity to microbreaks	2 ms
Standards	EN 61000-6-4 EN 61000-6-2 EN 61131-2 UL 61010-2-201 CSA C22.2 No 61010-2-201 CSA C22.2 No 213
Product certifications	CSA CE EAC (pending) KC UL Class 1 Division 2
Directives	2014/35/EU - low voltage directive 2014/30/EU - electromagnetic compatibility
Ambient air temperature for operation	0...50 °C
Ambient air temperature for storage	-20...60 °C
Relative humidity	10...90 % non-condensing
Operating altitude	2000 m
IP degree of protection	IP20 (rear panel) conforming to IEC 61131-2 IP65 (front panel) conforming to IEC 61131-2
NEMA degree of protection	NEMA 4 front panel (indoor use) NEMA 13 front panel (in enclosure)
Shock resistance	147 m/s ² for 11 ms (X, Y, Z directions for 10 cycles (approx. 100 min)) conforming to EN/IEC 61131-2
Vibration resistance	+/- 3.5 mm (f = 5...9 Hz)X, Y, Z directions for 10 cycles (approx. 100 min) conforming to EN/IEC 61131-2 9.8 m/s ² (f = 9...150 Hz)

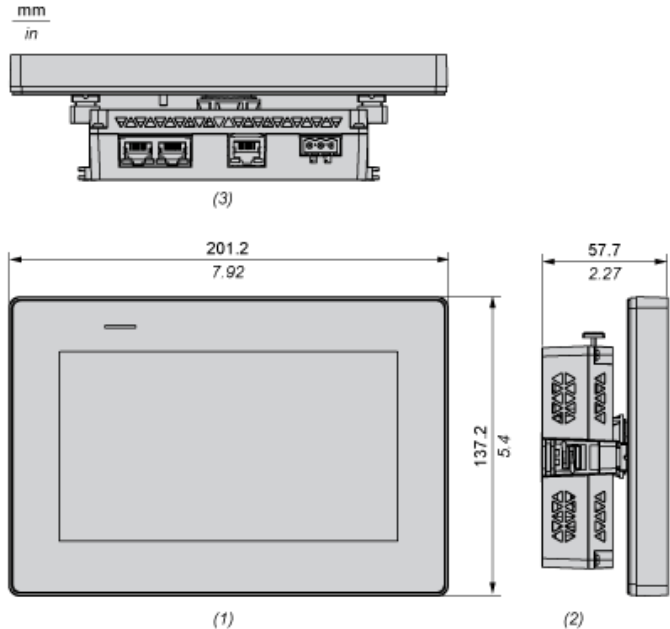
Electromagnetic compatibility	Electrical fast transient/burst immunity test - test level: 2 kV (power ports) conforming to IEC 61000-4-4 Electrical fast transient/burst immunity test - test level: 1 kV (signal ports) Electrostatic discharge immunity test - test level: 6 kV (contact discharge) conforming to EN/IEC 61000-4-2 level 3 Electrostatic discharge immunity test - test level: 8 kV (air discharge)
-------------------------------	--

Offer Sustainability

Sustainable offer status	Green Premium product
REACH Regulation	REACH Declaration
EU RoHS Directive	Pro-active compliance (Product out of EU RoHS legal scope) EU RoHS Declaration
Mercury free	Yes
RoHS exemption information	Yes
China RoHS Regulation	China RoHS declaration
Environmental Disclosure	Product Environmental Profile
Circularity Profile	End of Life Information
WEEE	The product must be disposed on European Union markets following specific waste collection and never end up in rubbish bins

Dimensions

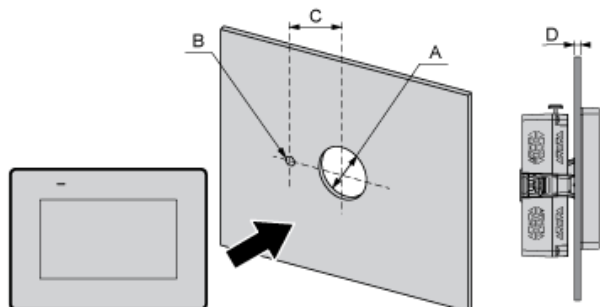
Dimensions with rear module attached to display module



- (1) : Front
- (2) : Left
- (3) : Bottom

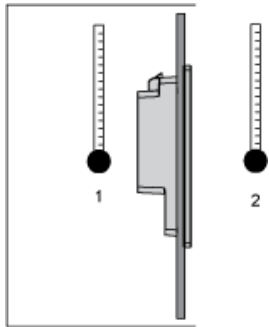
Mounting and Clearance

Panel Cut Dimensions

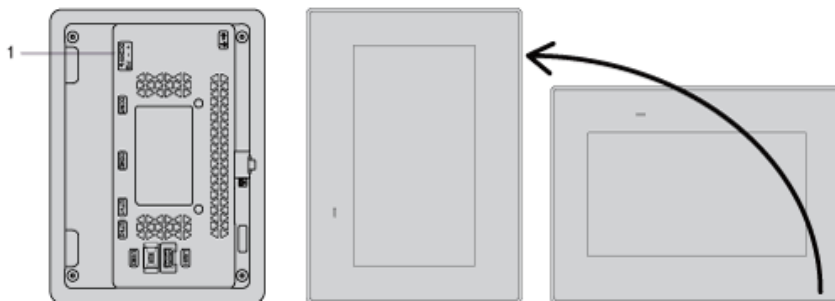


A		B		C		D (Thickness range)	
mm	in.	mm	in.	mm	in.	mm	in.
22.5 (+0/-0.3)	0.88 (+0/-0.01)	4.0 (+0/-0.2)	0.15 (+0/-0.007)	30.0 (+0/-0.2)	1.18 (+0/-0.007)	1.5...6.0 (0.06...0.23)	3.0...6.0 (0.12...0.23)

Installation Requirements

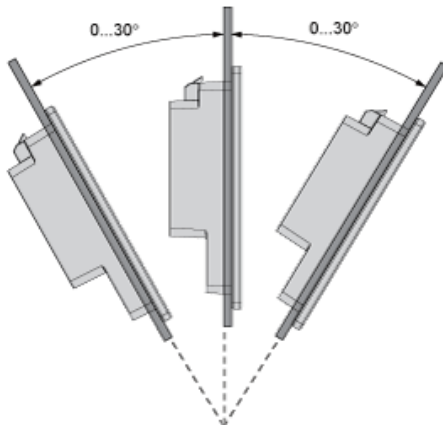


- 1: Internal temperature
- 2: External temperature



- 1: Power connector

Mounting Angle



Clearance

mm
in.

