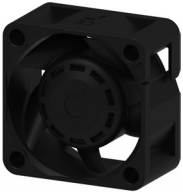


Brushless DC Fan - Ball Bearing

12V DC, 40mm x 40mm x 20mm

multicomp PRO

**RoHS
Compliant**



Specification

Mechanical Characteristic

Motor Design	Single phases, 4-poles Brushless DC motor
Bearing System	Precision ball bearing system
Materials of Frame	Thermoplastic PBT of UI 94V-0
Materials of Fan Blade	Thermoplastic PBT of UI 94V-0
Direction of Rotation	Counter-Clockwise Viewed From Front of Fan Blade
Mounting Holes	Diameter 4.3 mm in 4 Holes
Weight	32.5g

Electric Characteristic

Rated Voltage	12V DC
Rated Current	53 mA / Max. 64 mA
Rated Power Consumption	0.64 Watts / Max. 0.77 Watts
Safety Power Consumption	0.74 Watts
Operating Voltage Range	4.8V DC to 13.8V DC
Starting Voltage	4.5V DC (25°C Power on/off)
Operating Temperature Range	-10°C to + 70°C
Storage Temperature Range	-40°C To + 70°C

Performance Characteristic

Rated Speed	6800 RPM \pm 15% at Rated Voltage
Air Flow	10.8 CFM
Static Pressure	0.27 Inch-H ₂ O
Acoustic Noise	28.5 dB (A)
Insulation Class	UL Class A
Insulation Resistance Plastic Housing	10M Ω At 500V DC Between Internal Stator and Lead Wire (+)
Dielectric Strength	Applied AC 500V For one Minute or AC 600V for 2 Seconds Between Housing and Lead Wire (+)
Life Expectancy	70,000 Hours at 40°C, 65% humidity, 90% CL.
Protection	Automatic Restart Note: In a situation where the fan is locked by an external force while the electricity is on, an increase in coil temperature will be prevented by temporarily turning off the electrical power to the motor. The fan will automatically restart when the locked rotor condition is released. Polarity Protection

Newark.com/multicomp-pro
Farnell.com/multicomp-pro
Element14.com/multicomp-pro

multicomp PRO

Brushless DC Fan - Ball Bearing

12V DC, 40mm x 40mm x 20mm

multicomp PRO

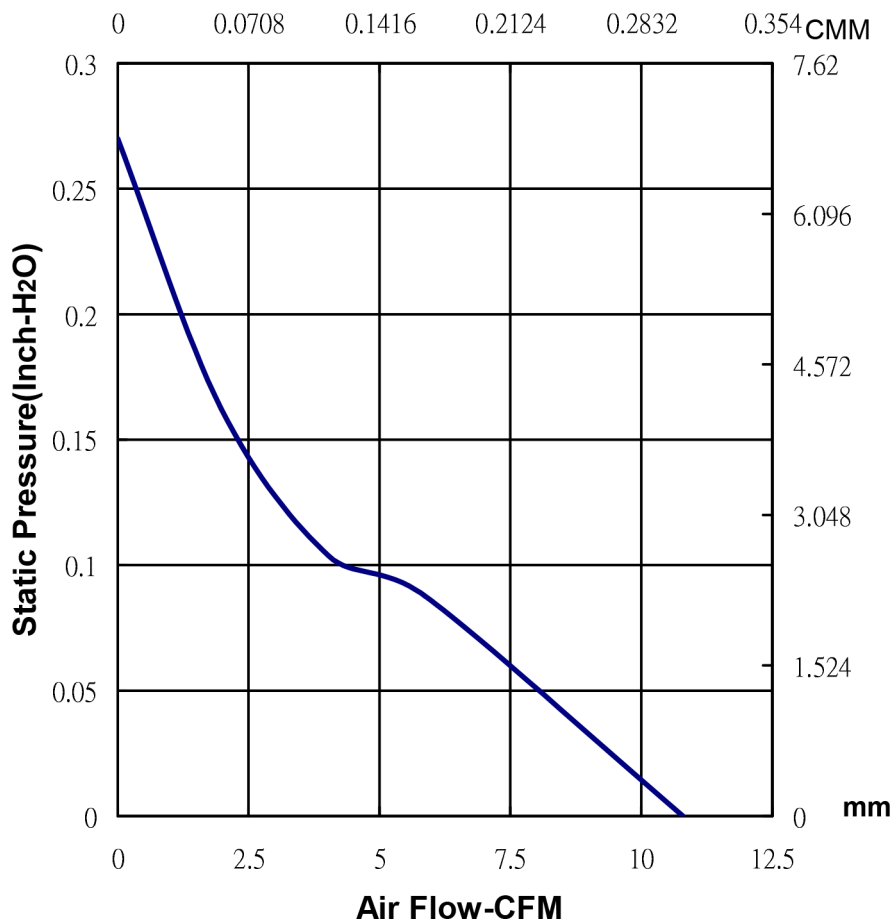
Safety

SAFETY	UL	CUR	TUV	CE
NO.	E77551	E77551	✓	✓

Performance Curves

Static Pressure

mm-H₂O Inch-H₂O

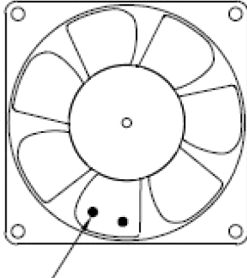


Brushless DC Fan - Ball Bearing

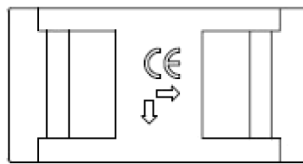
12V DC, 40mm x 40mm x 20mm

multicomp PRO

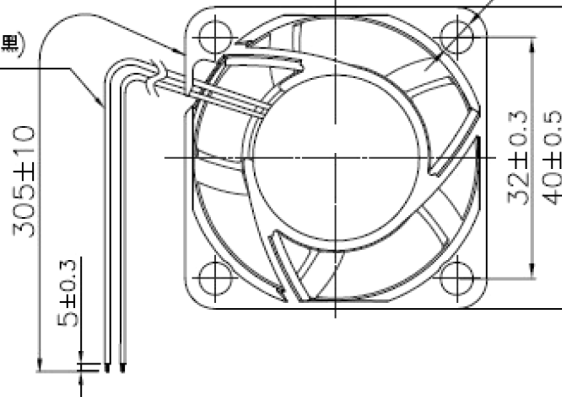
Dimensions



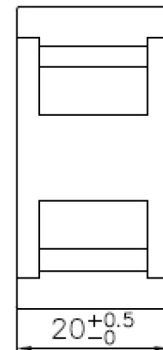
Note: The glues on the impeller is for impeller balance. Please don't remove it.



UL1007 #26AWG
+: RED(紅), -: BLACK(黒)



AIR FLOW



Dimensions : Millimetres

Part Number Table

Description	Part Number
Brushless DC Fan, Ball Bearing, 12V DC, 40mm × 40mm × 20mm, 2 Wire Leads	MP006507

Important Notice : This data sheet and its contents (the "Information") belong to the members of the AVNET group of companies (the "Group") or are licensed to it. No licence is granted for the use of it other than for information purposes in connection with the products to which it relates. No licence of any intellectual property rights is granted. The Information is subject to change without notice and replaces all data sheets previously supplied. The Information supplied is believed to be accurate but the Group assumes no responsibility for its accuracy or completeness, any error in or omission from it or for any use made of it. Users of this data sheet should check for themselves the Information and the suitability of the products for their purpose and not make any assumptions based on information included or omitted. Liability for loss or damage resulting from any reliance on the Information or use of it (including liability resulting from negligence or where the Group was aware of the possibility of such loss or damage arising) is excluded. This will not operate to limit or restrict the Group's liability for death or personal injury resulting from its negligence. Multicomp Pro is the registered trademark of Premier Farnell Limited 2019.

Newark.com/multicomp-pro
Farnell.com/multicomp-pro
Element14.com/multicomp-pro

multicomp PRO