

**RoHS  
Compliant**

## Specification

### Mechanical

Product	Operation Force:
MSS3	150 ± 100gf (1.47N ± 0.98N)
MSS6	200 ± 150gf (1.96N ± 1.47N)

Stroke : 1.5mm  
 Operation Temperature : -20°C to +70°C  
 Storage Temperature : -40°C to +85°C

### Electrical

Electrical Life : 10,000 cycles  
 Non-switching Rating : 300mA, 4V DC  
 Switching Rating : 25mA, 24V DC  
 Contact Resistance : 100mΩ max.  
 Insulation Resistance : 100MΩ min. (500V DC)  
 Dielectric Strength : 500V AC / 1 minute  
 Capacitance : 5pF max.  
 Circuit : SPDT, SP3T, DPDT, SP4T

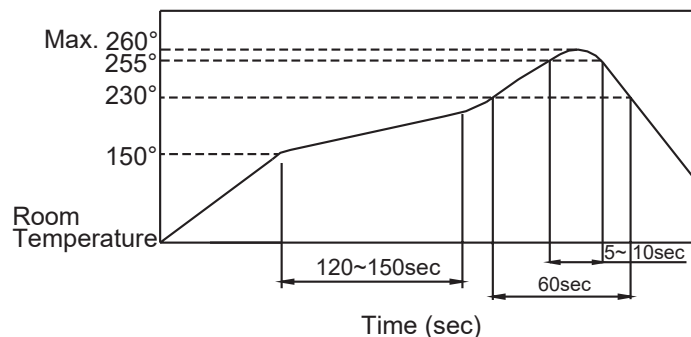
### Material

Cover : Nickel silver  
 Base : LCP High-Temp Thermoplastic  
 Colour : Black  
 Contact : Alloy copper, Gold Plated  
 Terminal : Brass , Gold Plated  
 Spring Plate : Stainless steel



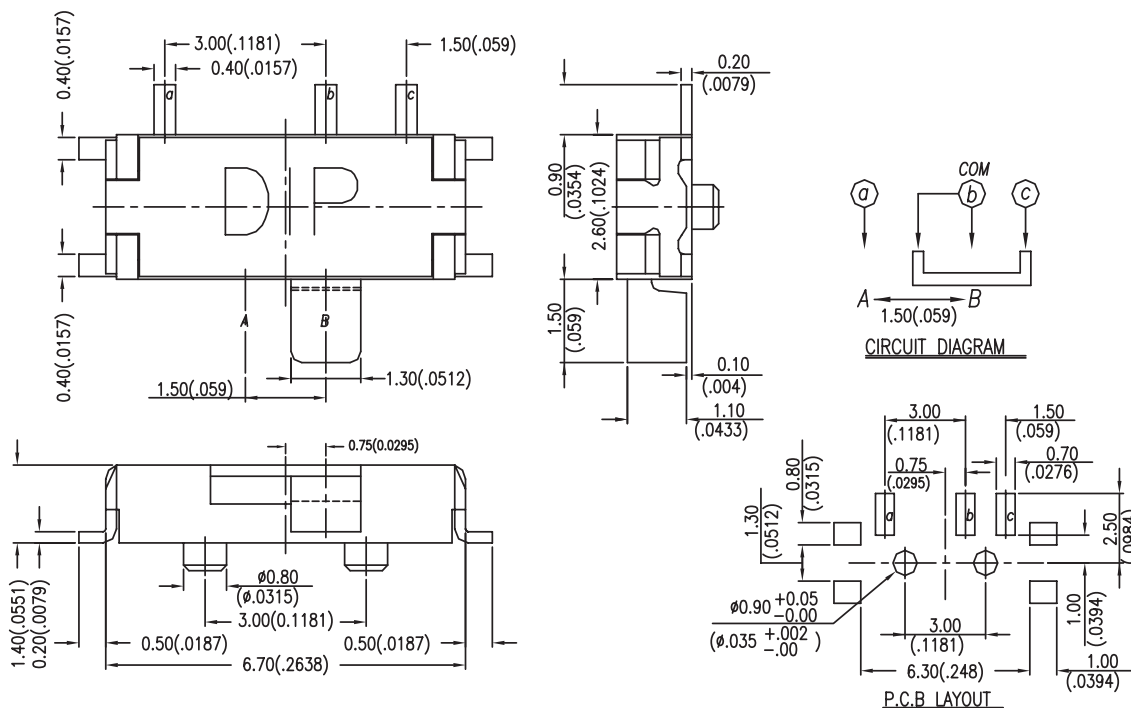
## Soldering Process

- Hand Soldering: Use a soldering iron of 30 watts, controlled at 350°C approximately 5 seconds.
- Reflow Soldering: When applying reflow soldering, the peak temperature or the reflow oven should be set at 260°C max.



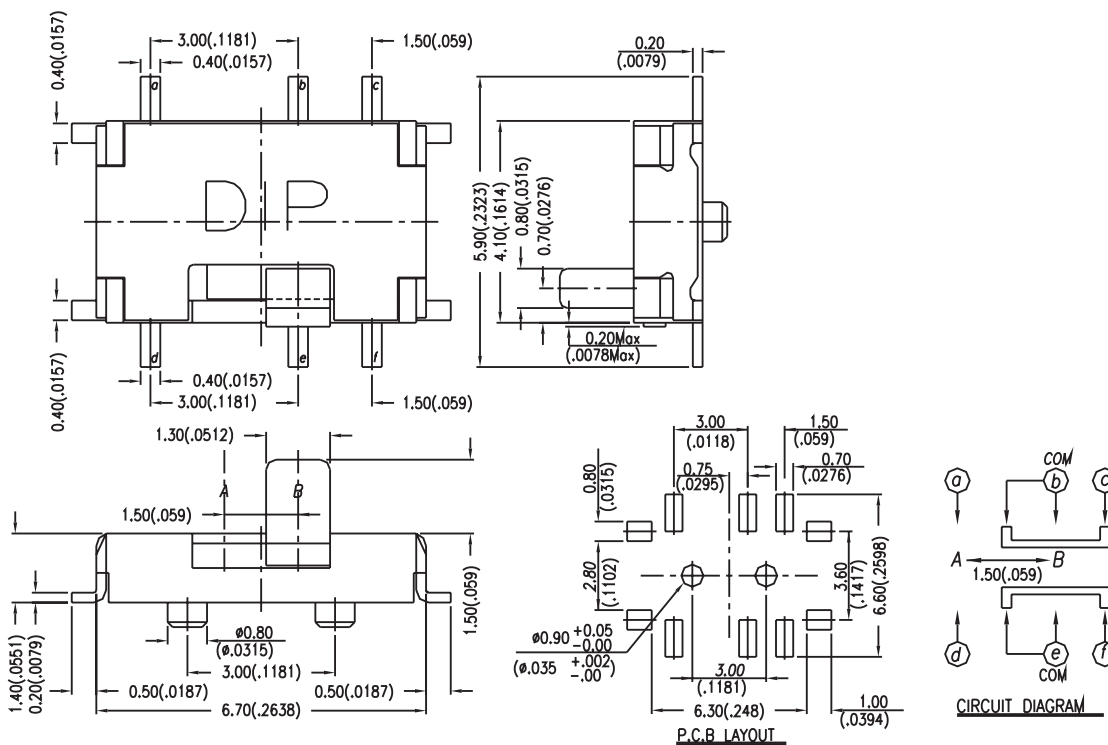
## Dimensions

### MSS3



General Tolerance :  $\pm 0.2\text{mm}$

### MSS6



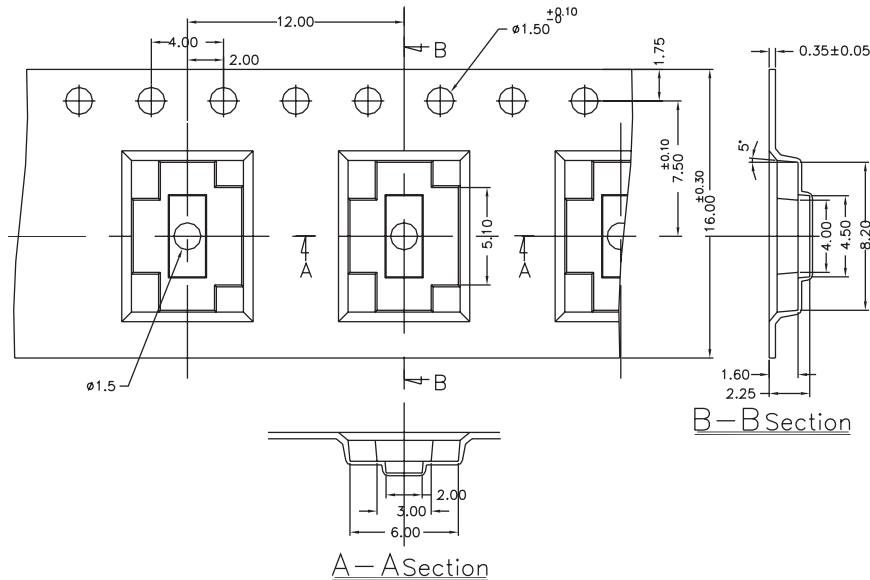
General Tolerance :  $\pm 0.2\text{mm}$

Dimensions : Millimetres

Newark.com/multicomp-pro  
 Farnell.com/multicomp-pro  
 Element14.com/multicomp-pro

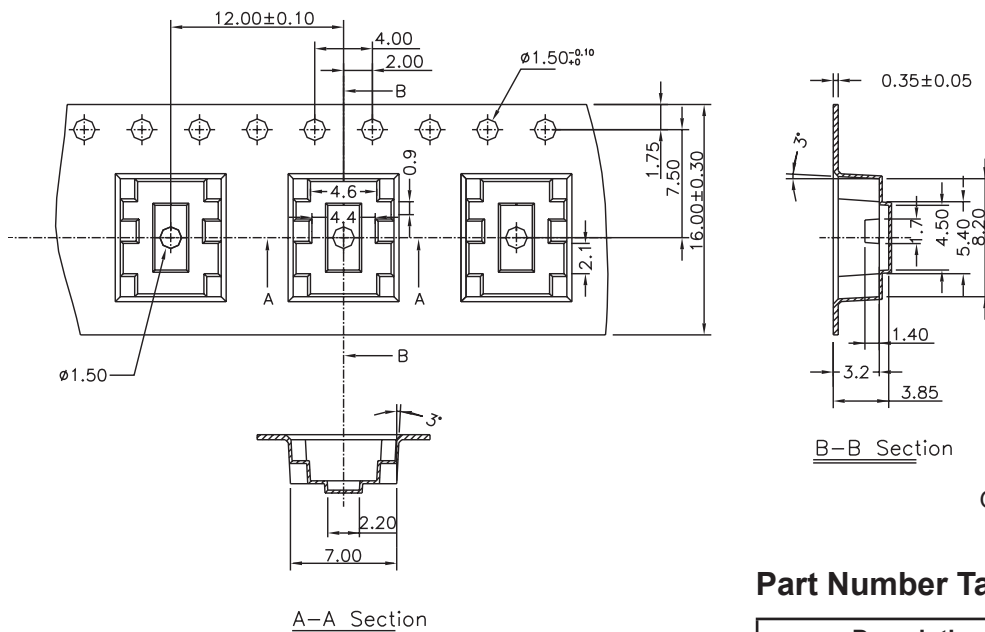
## Packing

### MSS3



General Tolerance : ±0.1mm

### MSS6



General Tolerance : ±0.1mm

Dimensions : Millimetres

### Part Number Table

Description	Part Number
Switch, Slide, SPDT, SMD	MSS3-V-T/R
Switch, Slide, DPDT, SMD	MSS6-V-T/R

**Important Notice :** This data sheet and its contents (the "Information") belong to the members of the AVNET group of companies (the "Group") or are licensed to it. No licence is granted for the use of it other than for information purposes in connection with the products to which it relates. No licence of any intellectual property rights is granted. The Information is subject to change without notice and replaces all data sheets previously supplied. The Information supplied is believed to be accurate but the Group assumes no responsibility for its accuracy or completeness, any error in or omission from it or for any use made of it. Users of this data sheet should check for themselves the Information and the suitability of the products for their purpose and not make any assumptions based on information included or omitted. Liability for loss or damage resulting from any reliance on the Information or use of it (including liability resulting from negligence or where the Group was aware of the possibility of such loss or damage arising) is excluded. This will not operate to limit or restrict the Group's liability for death or personal injury resulting from its negligence. Multicomp Pro is the registered trademark of Premier Farnell Limited 2019.

Newark.com/multicomp-pro  
 Farnell.com/multicomp-pro  
 Element14.com/multicomp-pro