

Technical Characteristics

Part Number

Han 16B ECO Rear-Mount Kit

Hood	Angled Entry
Housing	Double Lever Bulkhead
Material	Polyamide Plastic
IP / NEMA	IP65 / 4, 4x, 12
Temp Rating	-40 to +125C
Cable Gland	M32 Plastic
Cable Diameter	13 – 21mm
Insert	Han 16E, 16+GND
Screw Terminals	18-14AWG
Stripping Length	7.5mm
Mating Cycles	>500
Flammability	V-0

73 10 100 0003

UL508

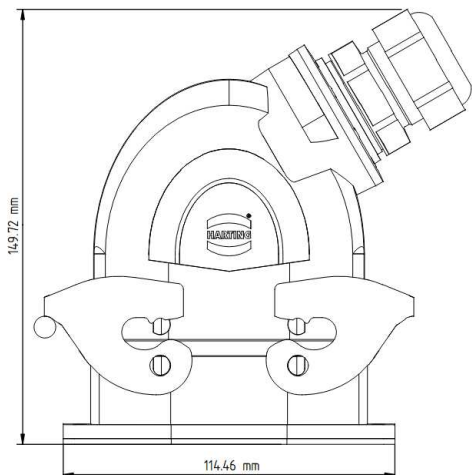


Electrical Characteristics

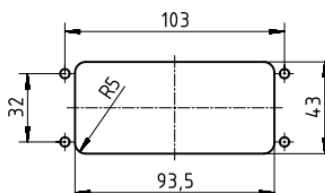
Rated Current	16amps
Rated Voltage	600V
Rated Impulse Voltage	6kV

Drawings and Assembly Information

Dimensions in mm



panel cut out
for assembly from
the inner side of cabinet



Tooling and Torque Values

Type	Tool	Torque (Nm)
Terminal Screws (M3)	PH1 or Slotted 0.6 x 3.5	0.50
Fixing Screw (M3)	PH2 or Slotted 0.6 x 3.5	0.50
Mounting Screws (M4 recommended)	-	0.8...1.0
Cable Gland (M32)	SW36	15

Kit Contents

Male Insert	09 33 016 2601
Female insert	09 33 016 2701
Housing	19 43 016 0320
Hood & Gland	19 43 116 0527

For further information, please reach out to techsupportUS@HARTING.com