

## MP006798 - N Plug Terminator

**RoHS  
Compliant**

### Electrical

- Frequency Range : DC to 11GHz
- Nominal Impedance : 50Ω
- DC Resistance : 50Ω±5%
- Power Rating : 1W
- VSWR : 1.22 Max. @ 6.1 GHz  
1.3 Max. @ 11 GHz

### Materials

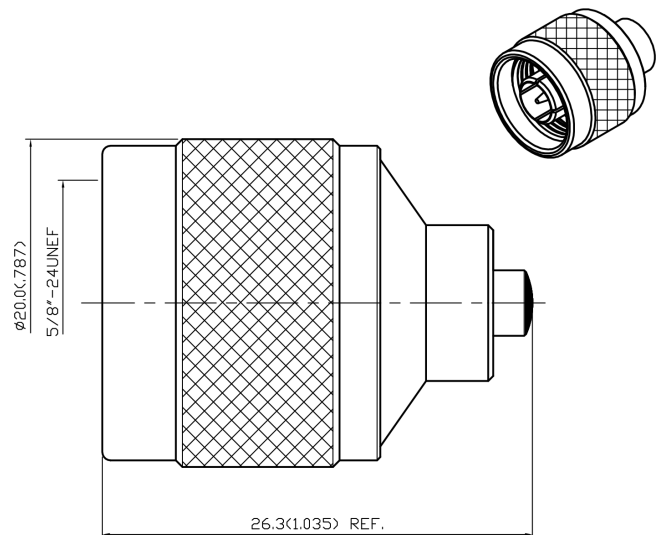
- Bodies : Brass Per JIS-C3604
- Center Contact : Brass Per JIS-C3604
- Insulation : Teflon Per ASTM D1457 and ASTM D1710

### Mechanical

- Interface in Accordance with : MIL-STD-348A

### Environmental

- Operating Temperature Range : -40°C to +70°C



Finishes and Others			
No	Description	Material	Finish
1	Shell	Brass	White Bronze 80μ" Min.
2	Center Contact	Brass	Gold 20μ" Min. Over Electronics Nickel 50μ" Min.
3	Gasket	Silicon	Red
4	Chassis	Brass	White Bronze 80μ" Min.
5	Washer	Brass	None
6	Insulation	Teflon	None
7	Body	Brass	White Bronze 80μ" Min.
8	Resistor	1W - 50Ω	None
9	Chassis	Brass	Gold 3μ" Min. Over Electronics Nickel 50μ" Min.

## MP006806 - SMA Straight Plug Terminator

### Electrical

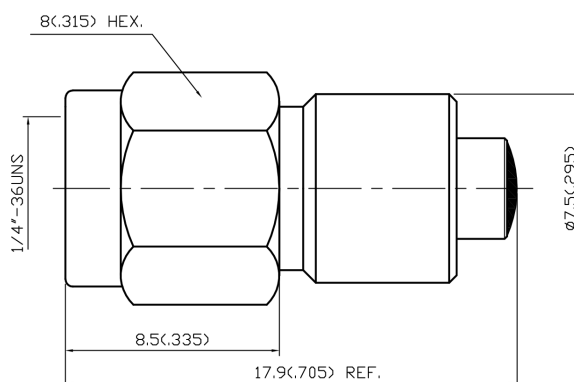
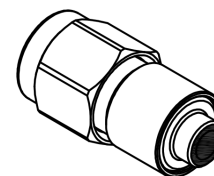
- Frequency Range : DC to 18GHz
- Nominal Impedance : 50Ω
- DC Resistance : 50Ω±5%
- Power Rating : 1W
- VSWR : 1.22 Max. @6.1 GHz  
1.6 Max. @18 GHz

### Materials

- Bodies : Brass Per JIS-C3604
- Center Contact : Brass Per JIS-C3604
- Insulation : Teflon Per ASTM D1457 and ASTM D1710

### Mechanical

- Interface in Accordance with : MIL-STD-348A
- Recommended Coupling Torque : 3 to 5 in-lbs
- Environmental
- Operating Temperature Range : -40°C to +70°C



Finishes and Others			
No	Description	Material	Finish
1	Shell	Brass	Electronics Nickel 100μ" Min.
2	Gasket	Silicon	Red
3	Insulation	Teflon	None
4	Center Contact	Brass	Gold 50μ" Min. Over Electronics Nickel 50μ" Min.
5	Resistor	Metal Film	1W-50Ω
6	Chassis	Brass	Gold 3μ" Min. Over Electronics Nickel 50μ" Min.
7	Washer	Stainless Steel	None
8	Body	Brass	Gold 3μ" Min. Over Electronics Nickel 50μ" Min.

Dimensions : Millimetres

## Part Number Table

Description	Part Number
N Plug Terminator, 1W Power Rating	MP006798
Straight SMA Plug Terminator, 1W Power Rating	MP006806

**Important Notice :** This data sheet and its contents (the "Information") belong to the members of the AVNET group of companies (the "Group") or are licensed to it. No licence is granted for the use of it other than for information purposes in connection with the products to which it relates. No licence of any intellectual property rights is granted. The Information is subject to change without notice and replaces all data sheets previously supplied. The Information supplied is believed to be accurate but the Group assumes no responsibility for its accuracy or completeness, any error in or omission from it or for any use made of it. Users of this data sheet should check for themselves the Information and the suitability of the products for their purpose and not make any assumptions based on information included or omitted. Liability for loss or damage resulting from any reliance on the Information or use of it (including liability resulting from negligence or where the Group was aware of the possibility of such loss or damage arising) is excluded. This will not operate to limit or restrict the Group's liability for death or personal injury resulting from its negligence. Multicomp Pro is the registered trademark of Premier Farnell Limited 2019.