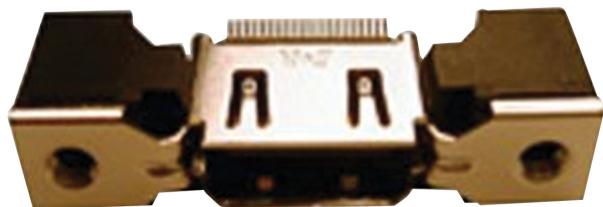


HDMI Receptacle

With Wing Vertical SMT Type

multicomp PRO



Specifications:

Connector Type	: HDMI
Series	: -
Gender	: Receptacle
No. of Contacts	: 19
Contact Termination	: Surface Mount Vertical
Connector Mounting	: PCB
Colour	: Black
Contact Material	: Copper Alloy
Contact Plating	: Gold over Nickel
Lead Spacing	: 0.5mm
No. of Ways	: 19
Current Rating	: 0.5A per contact minimum
Voltage Rating	: 40V AC(RMS)
Operating temperature	: -25°C +85°C

Remarks:

Material

Insulator : Thermoplastic

Plating:

Contact

Contact Area and 100u"Min. Tin
Plated Over Nickel on Solder Tails

Shell:

Solderable Nickel Plated Over Nickel

This part Should Contain Any Substances Which are Specified in KOA-2V03

Scope:

1.1 Content

This specification is designated the Performance, Tests and quality requirements for High-Definition Multimedia Interface(HDMI) Connector.

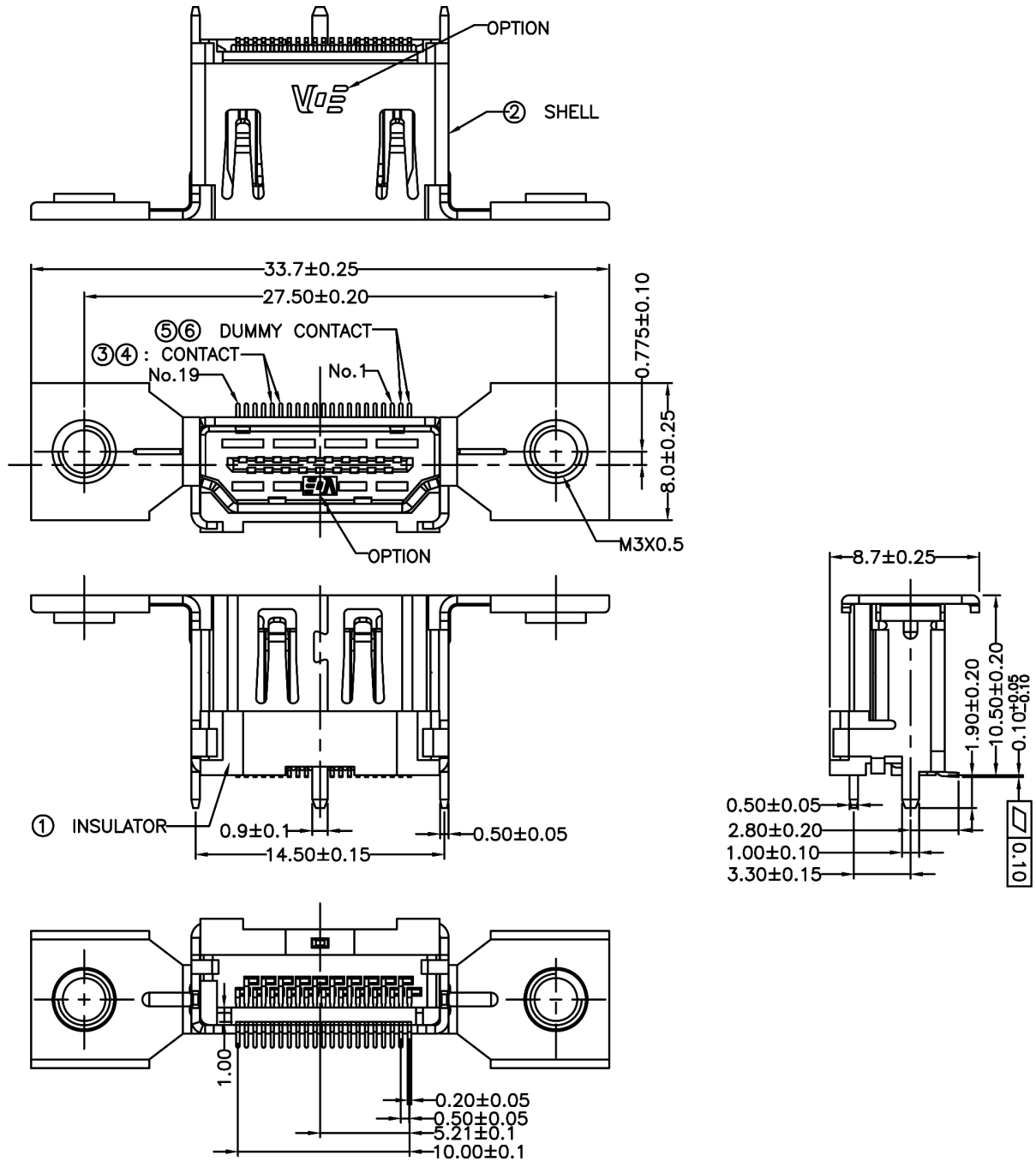
1.2 Design and Construction

Product shall be conformed the Design, Construction and Physical dimensions shown as product drawing.

HDMI Receptacle

With Wing Vertical SMT Type

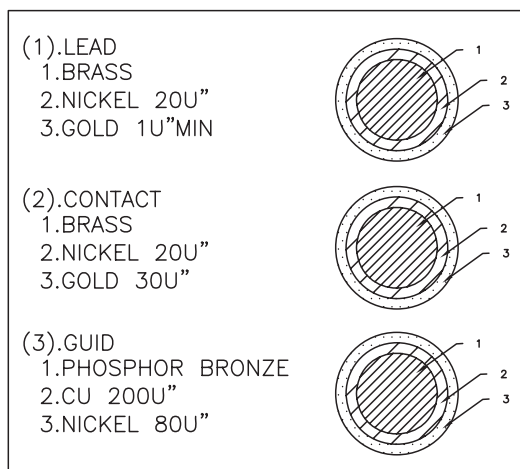
multicomp PRO



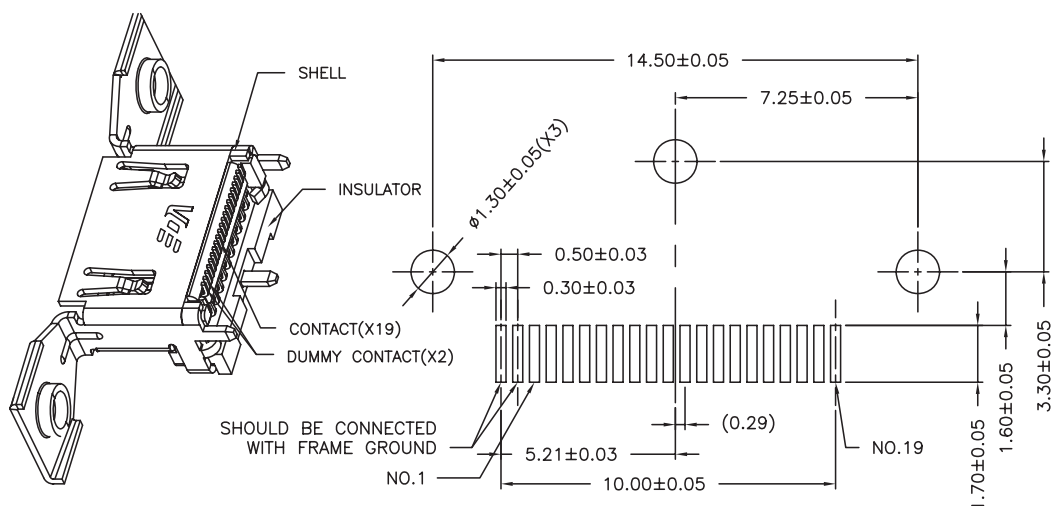
HDMI Receptacle

With Wing Vertical SMT Type

multicomp PRO



Plain Section



Recommended P.C.B. Layout (T=1.6mm)

Part Number Table

Description	Part Number
Header, Vertical, HDMI, W/Flange, SMT	51V019S-33WN-BD

Important Notice : This data sheet and its contents (the "Information") belong to the members of the AVNET group of companies (the "Group") or are licensed to it. No licence is granted for the use of it other than for information purposes in connection with the products to which it relates. No licence of any intellectual property rights is granted. The Information is subject to change without notice and replaces all data sheets previously supplied. The Information supplied is believed to be accurate but the Group assumes no responsibility for its accuracy or completeness, any error in or omission from it or for any use made of it. Users of this data sheet should check for themselves the Information and the suitability of the products for their purpose and not make any assumptions based on information included or omitted. Liability for loss or damage resulting from any reliance on the Information or use of it (including liability resulting from negligence or where the Group was aware of the possibility of such loss or damage arising) is excluded. This will not operate to limit or restrict the Group's liability for death or personal injury resulting from its negligence. Multicomp Pro is the registered trademark of Premier Farnell Limited 2019.

Newark.com/multicomp-pro
Farnell.com/multicomp-pro
Element14.com/multicomp-pro

multicomp PRO