



**SlimJim**

A variety of dolly options for Slim Jim® containers allow for more efficient collection and transport of waste and recyclables, increasing worker productivity.

### Features and Benefits:

#### STAINLESS STEEL DOLLIES

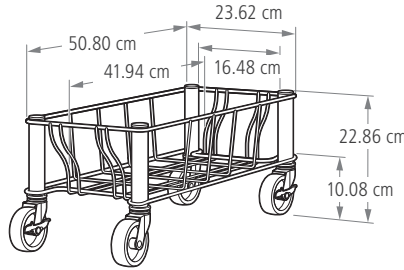
- Collect and transport up to four streams of waste and recyclables with the new stainless steel multi-dollies for Slim Jim® containers
- Constructed of quality stainless steel material that is easy to clean and won't rust or chip in commercial environments
- Features 3" nonmarking quiet casters that allow for smooth and quiet maneuverability
- Locking feature on casters creates a stable recycling station or collection site
- Fits both 60 and 87 Litres Slim Jim® containers

### Material Composition:

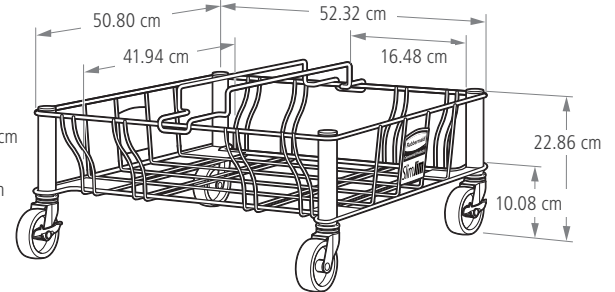
#### STAINLESS STEEL DOLLIES

- High-quality stainless steel

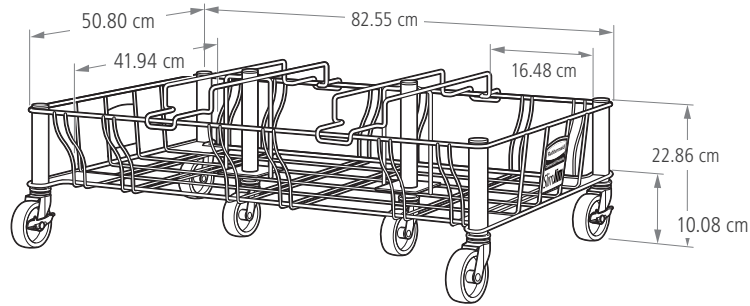
# DOLLIES FOR SLIM JIM® CONTAINERS



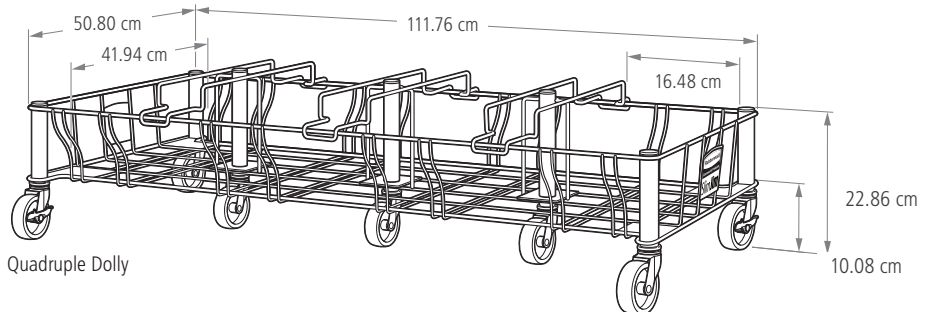
Single Dolly



Double Dolly



Triple Dolly



Quadruple Dolly

## DOLLY SPECIFICATIONS

ITEM #	DESCRIPTION	CAPACITY	LENGTH	WIDTH	HEIGHT	PACK SIZE	HEIGHT OFF GROUND	
							60 L	87 L
		KG	CM	CM	CM		CM	CM
1968468	STAINLESS STEEL SINGLE DOLLY	45	50.80	23.62	22.86	2	72.30	86.20
1956191	STAINLESS STEEL DOUBLE DOLLY	91	50.80	52.32	22.86	1	72.30	86.20
1956192	STAINLESS STEEL TRIPLE DOLLY	136	50.80	82.55	22.86	1	72.30	86.20
1956193	STAINLESS STEEL QUADRUPLE DOLLY	181	50.80	111.76	22.86	1	72.30	86.20

## SHIPPING INFORMATION

REF	COUNTRY OF ORIGIN	EAN PRODUCT CODE	BARCODE CARTON	CUSTOM CODE	CARTON DIMENSIONS	WEIGHT	VOL
					L x W x H		
					CM	KG	M <sup>3</sup>
1968468	CHINA	00086876227970	10086876227977	8716805090	53.66 x 26.35 x 304.8	5.2	0.0
1956191	CHINA	00086876227987	00086876227994	8716805090	54.93 x 54.93 x 235.0	4.5	0.1
1956192	CHINA	00086876227994	00086876227994	8716805090	82.55 x 53.34 x 19.37	6.2	0.1
1956193	CHINA	00086876228007	00086876228007	8716805090	111.76 x 53.34 x 19.37	7.8	0.1



**SlimJim**

The trainable dolly for Slim Jim® containers allows for more efficient collection and transport of waste and recyclables, increasing worker productivity.

### Features and Benefits:

#### TRAINABLE DOLLY

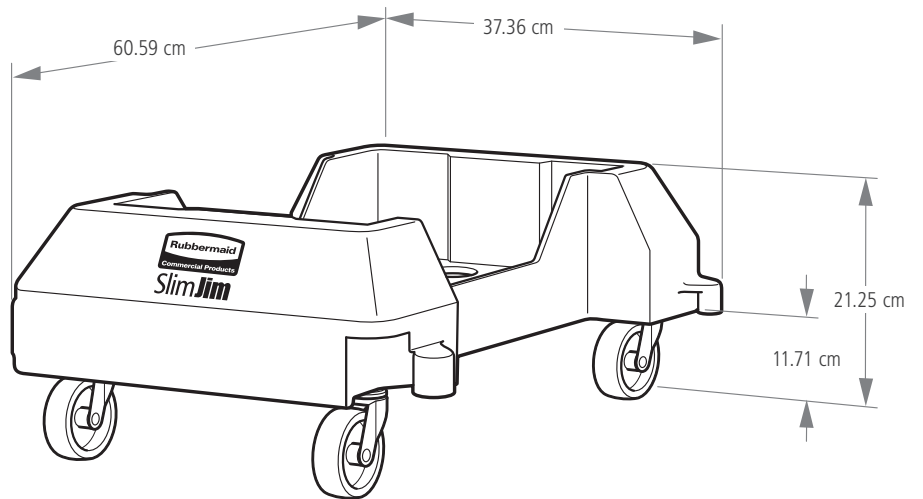
- Features a side clip-on connection that allows you to train several dollies together for collection and transportation purposes
- Foot pedal release makes disconnecting dollies quick and easy
- Structural foam construction ensures maximum durability in commercial environments
- Fits both 60 and 87 Litres Slim Jim® containers

### Material Composition:

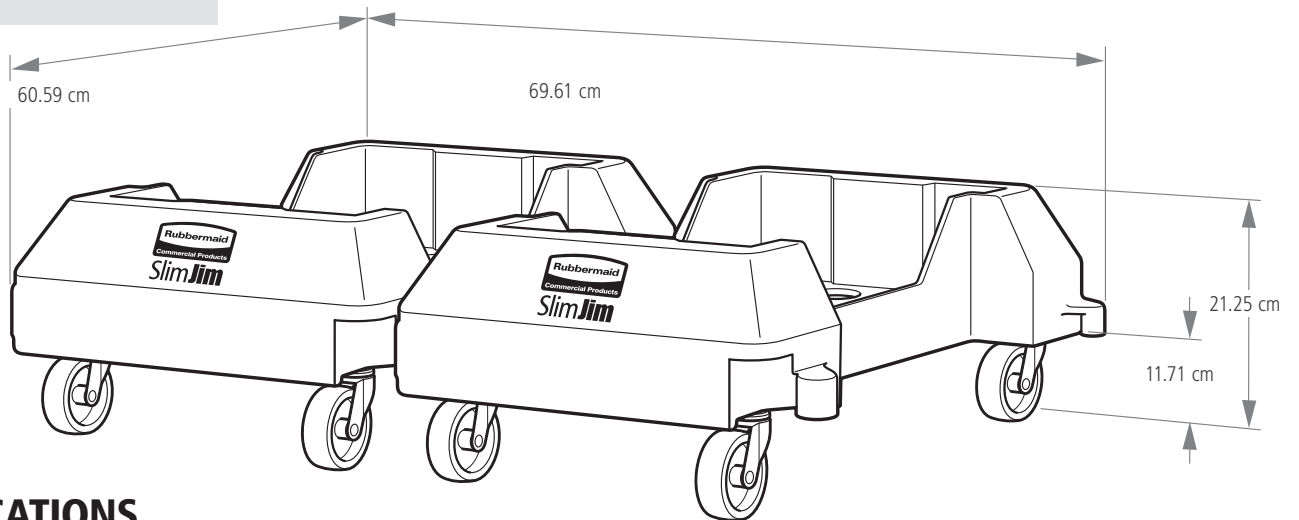
#### TRAINABLE DOLLY

- Structural foam resin material

# DOLLIES FOR SLIM JIM® CONTAINERS



Resin Trainable Dolly



## DOLLY SPECIFICATIONS

ITEM #	DESCRIPTION	CAPACITY KG	LENGTH CM	WIDTH CM	HEIGHT CM	WIDTH OF 2 DOLLIES TRAINED CM	PACK SIZE	HEIGHT OFF GROUND	
								60 L CM	87 L CM
1980602	RESIN TRAINABLE DOLLY	36.3	60.59	37.36	21.25	69.61	2	75.02	87.92

## SHIPPING INFORMATION

REF	COUNTRY OF ORIGIN	EAN PRODUCT CODE	BARCODE CARTON	CUSTOM CODE	CARTON DIMENSIONS		WEIGHT KG	VOL M <sup>3</sup>
					L X W X H CM			
1980602	USA	00086876186406	10086876231981	8716805090	60.64 X 37.47 X 42.86		5.4	0.1





# SlimJim®

The Slim Jim® container delivers the durability needed for commercial environments combined with brand new innovation to increase worker productivity. New product features and accessories deliver the most efficient solution for collection, transportation, and disposal of multi-stream waste and recyclables.

## Features and Benefits:

- Venting channels make removing liners up to 80% easier, improving productivity and reducing the risk of worker injury
- Four bag cinches secure liners around the rim of the container and allow for quick, knot-free liner changes
- Handles at the base and rim of the container improve grip and control while lifting and emptying full containers
- Rim with rib-strengthened design increases strength and resists crushing
- Build a recycling station with a variety of dolly and lid options to meet any facility need

## COLOURS AVAILABLE

Blue, Green, Black, Beige, Brown, Grey, Yellow\*, Red\*

\* 87 Litres only

## Material Composition:

Injection molded with a high-quality resin blend.

## Accessories:

### STAINLESS STEEL DOLLIES

- Slim Jim® Single Dolly
- Slim Jim® Double Dolly
- Slim Jim® Triple Dolly
- Slim Jim® Quadruple Dolly

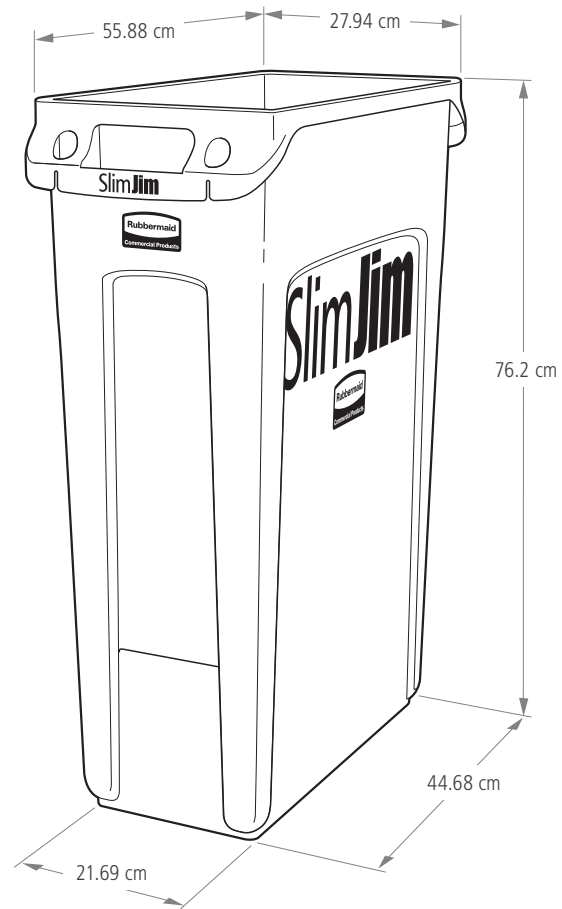
### RESIN DOLLY

- Slim Jim® Trainable Dolly

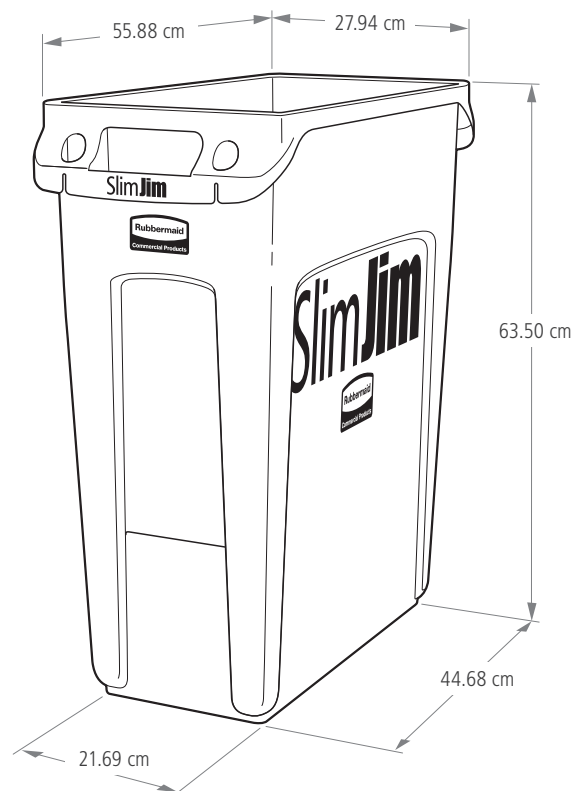
### LIDS

- Bottles and Cans Lid
- Paper Lid
- Mixed Recycling Lid
- Hinged Lid
- Swing Lid

# SLIM JIM® CONTAINERS



87 Litres Slim Jim® Container



60 Litres Slim Jim® Container

# SLIM JIM® CONTAINERS

ITEM #	DESCRIPTION	COLOUR	CAPACITY	LENGTH	WIDTH	HEIGHT	PACK SIZE
			L	CM	CM	CM	
1971258	SLIM JIM® CONTAINER	GREY	60	55.88	27.94	63.50	4
1955959	SLIM JIM® CONTAINER	BLACK	60	55.88	27.94	63.50	4
1971259	SLIM JIM® CONTAINER	BEIGE	60	55.88	27.94	63.50	4
1956181	SLIM JIM® CONTAINER	BROWN	60	55.88	27.94	63.50	4
1971257	SLIM JIM® CONTAINER	BLUE	60	55.88	27.94	63.50	4
1955960	SLIM JIM® CONTAINER	GREEN	60	55.88	27.94	63.50	4
FG354060GRAY	SLIM JIM® CONTAINER	GREY	87	55.88	27.94	76.20	4
FG354060BLA	SLIM JIM® CONTAINER	BLACK	87	55.88	27.94	76.20	4
FG354060BEIG	SLIM JIM® CONTAINER	BEIGE	87	55.88	27.94	76.20	4
1956187	SLIM JIM® CONTAINER	BROWN	87	55.88	27.94	76.20	4
1956188	SLIM JIM® CONTAINER	YELLOW	87	55.88	27.94	76.20	4
1956189	SLIM JIM® CONTAINER	RED	87	55.88	27.94	76.20	4
FG354007BLUE	SLIM JIM® CONTAINER	BLUE (RECYCLING)	87	55.88	27.94	76.20	4
FG354007GRN	SLIM JIM® CONTAINER	GREEN (RECYCLING)	87	55.88	27.94	76.20	4
1876489	SLIM JIM® STARTER PACK - 2 STREAM	NA	NA	55.80	55.80	63.50	1
1876490	SLIM JIM® STARTER PACK - 3 STREAM	NA	NA	55.80	83.80	63.50	1

## SHIPPING INFORMATION

REF	COUNTRY OF ORIGIN	EAN PRODUCT CODE	BARCODE CARTON	CUSTOM CODE	CARTON DIMENSIONS	WEIGHT	VOL
					L X W X H		
					CM	KG	M <sup>3</sup>
1971258	USA	00086876227895	10086876227892	3924905650	57.15 x 28.89 x 121.92	11.8	0.2
1955959	USA	00086876227840	10086876227847	3924905650	57.15 x 28.89 x 121.92	11.8	0.2
1971259	USA	00086876227918	10086876227915	3924905650	57.15 x 28.89 x 121.92	11.8	0.2
1956181	USA	00086876227864	10086876227861	3924905650	57.15 x 28.89 x 121.92	11.8	0.2
1971257	USA	00086876227901	10086876227908	3924905650	57.15 x 28.89 x 121.92	11.8	0.2
1955960	USA	00086876227857	10086876227854	3924905650	57.15 x 28.89 x 121.92	11.8	0.2
FG354060GRAY	USA	00086876186376	10086876186373	3924905650	55.88 x 27.94 x 138.59	14.4	0.2
FG354060BLA	USA	00086876186352	10086876186359	3924905650	55.88 x 27.94 x 138.59	14.4	0.2
FG354060BEIG	USA	00086876186369	10086876186366	3924905650	55.88 x 27.94 x 138.59	14.4	0.2
1956187	USA	00086876227932	10086876227939	3924905650	55.88 x 27.94 x 138.59	14.4	0.2
1956188	USA	00086876227963	10086876227960	3924905650	55.88 x 27.94 x 138.59	14.4	0.2
1956189	USA	00086876227949	10086876227946	3924905650	55.88 x 27.94 x 138.59	14.4	0.2
FG354007BLUE	USA	00086876186383	10086876186380	3924905650	55.88 x 27.94 x 138.59	14.4	0.2
FG354007GRN	USA	00086876186390	10086876186397	3924905650	55.88 x 27.94 x 138.59	14.4	0.2
1876489	USA	05453001914848	15453001914848	3924900090	11.20 x 5.70 x 3.00	8.5	1.9
1876490	USA	05453001914855	15453001914855	3924900090	11.20 x 5.70 x 3.00	12.2	1.9





# SlimJim®

A variety of lid options for Slim Jim® containers encourages waste separation and recycling with interchangeable, colour-coded tops.

## Features and Benefits:

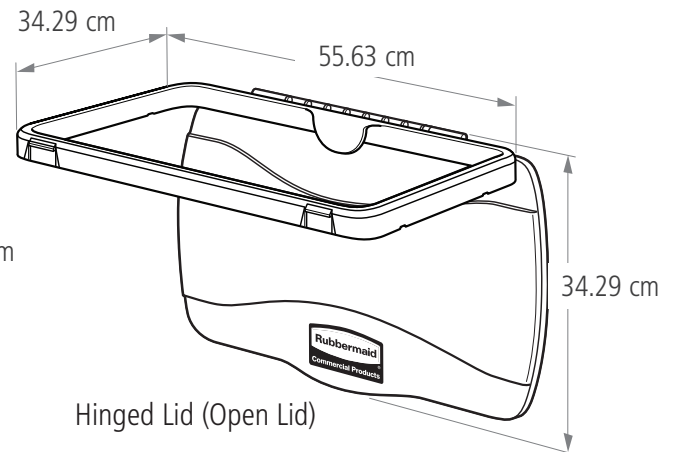
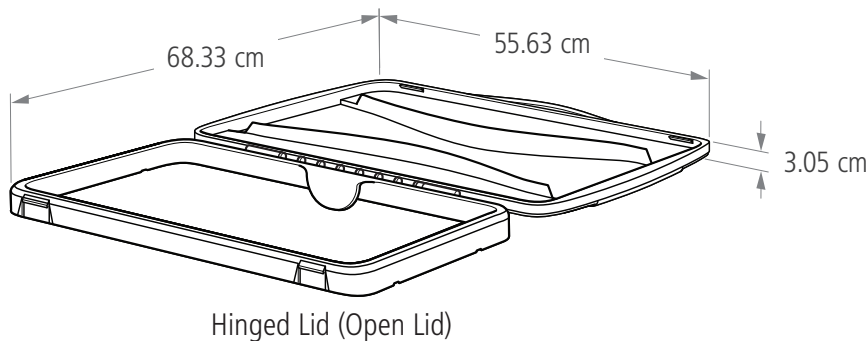
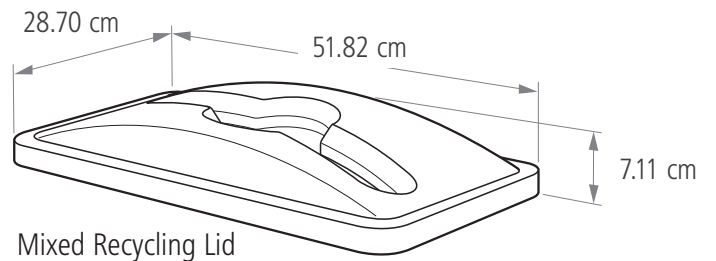
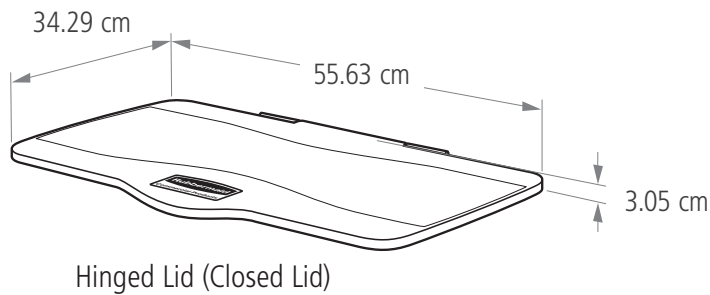
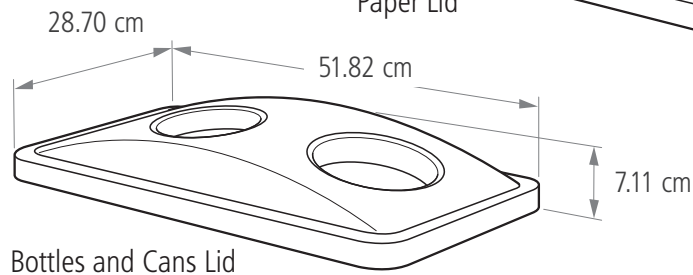
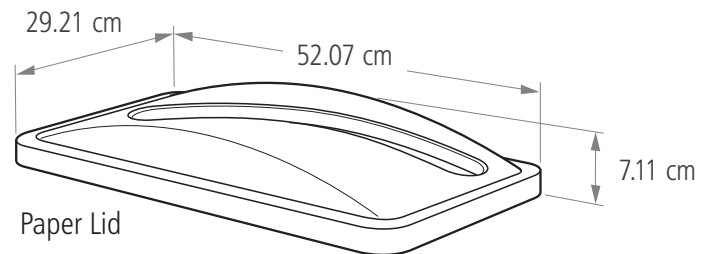
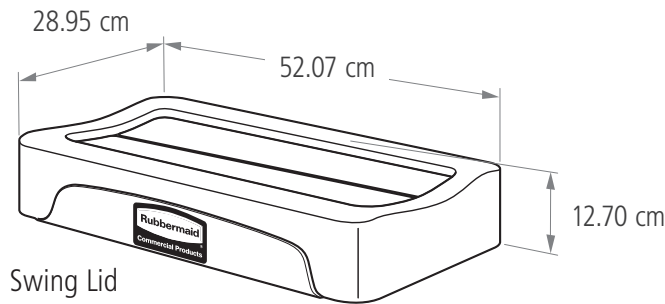
### SLIM JIM® LIDS

- **Swing Lid** conceals waste from view and provides no-touch access
- **Hinged Lid** folds flat while in use and completely covers waste when closed; complies with Health and Human Services Standard 5-501.11.3 of the 2005 FDA Food Code
- **Bottles and Cans Lid/Paper Lid/Mixed Recycling Lid** encourages waste separation and recycling with interchangeable colour-coded tops

## Material Composition:

Injection-grade resin material

# LIDS FOR SLIM JIM® CONTAINERS



## LEADS FOR SLIM JIM® CONTAINERS

ITEM #	DESCRIPTION	COLOUR	LENGTH CM	WIDTH CM	HEIGHT CM	PACK SIZE
FG267360BLA	SWING LID	BLACK	52.07	28.95	12.70	4
FG267360BLUE	SWING LID	BLUE	52.07	28.95	12.70	4
FG267360GRAY	SWING LID	GREY	52.07	28.95	12.70	4
FG269288BRN	BOTTLES AND CANS LID	BROWN	51.82	28.70	7.11	4
FG269288YEL	BOTTLES AND CANS LID	YELLOW	51.82	28.70	7.11	4
FG270388BLUE	PAPER LID	BLUE	52.07	29.21	7.11	4
1788372	COMMINGLE LID	BLUE	51.82	28.70	7.11	4
1788373	COMMINGLE LID	GREEN	51.82	28.70	7.11	4
FG267400BLA	HINGED LID	BLACK	55.63	34.29	3.05	4
FG268888BRN	HANDLE TOP	BROWN	51.82	28.70	7.11	4
FG268888YEL	HANDLE TOP	YELLOW	51.82	28.70	7.11	4
FG268888LGRAY	HANDLE TOP	GREY	51.82	28.70	7.11	4
R050670	CUP'N STACK	BLACK	52	30	10	4

## SHIPPING INFORMATION

REF	COUNTRY OF ORIGIN	EAN PRODUCT CODE	BARCODE CARTON	CUSTOM CODE	CARTON DIMENSIONS	WEIGHT	VOL
					L X W X H CM		
FG267360BLA	USA	00086876186406	10086876186403	3924900000	30.60 x 53.20 x 53.50	6.4	0.1
FG267360BLUE	USA	00086876187557	10086876187554	3924900000	53.70 x 30.20 x 53.50	5.6	0.1
FG267360GRAY	USA	00086876187533	10086876187530	3924900000	53.70 x 30.20 x 53.50	5.7	0.1
FG269288BRN	USA	00086876147612	10086876147619	3924900000	30.50 x 53.70 x 13.30	1.6	0.0
FG269288YEL	USA	05453001910178	-	3924900000	30.50 x 53.70 x 13.30	1.6	0.0
FG270388BLUE	USA	00086876147636	10086876147633	3924900000	53.50 x 30.50 x 13.50	1.5	0.0
1788372	USA	00086876211542	10086876211549	3924900000	53.50 x 30.60 x 13.70	1.5	0.0
1788373	USA	00086876211559	10086876211556	3924900000	53.50 x 30.60 x 13.70	1.5	0.0
FG267400BLA	CN	00086876186413	10086876186410	3924900000	56.50 x 35.40 x 18.50	2.8	0.0
FG268888BRN	USA	05453001910154	05453001910154	3924900000	53.00 x 31.00 x 16.50	1.6	0.0
FG268888YEL	USA	00086876147605	00086876147605	3924900000	53.00 x 31.20 x 16.40	1.6	0.0
FG268888LGRAY	USA	00086876147599	10086876147596	3924900000	30.50 x 53.70 x 13.30	1.6	0.0
R050670	USA	05453001911304	05453001911304	3924900090	31.00 x 28.50 x 68.00	4.6	0.1

