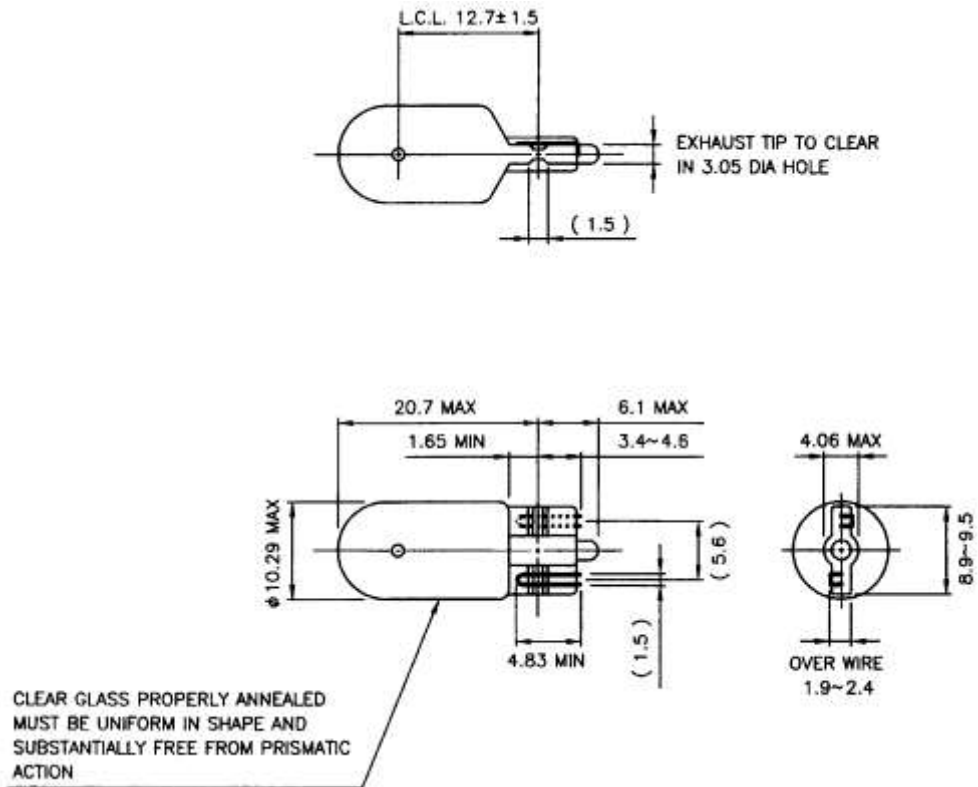


Part Number: 501

Type	Size	Rating	Description
Incandescent	T10	12V 5W	T-3¼ Wedge Base Lamp



Dimensions in millimetres

TEST VOLTS	CURRENT (mA)			LIGHT OUTPUT (Lm)			LIFE Hours
	Min.	Nom.	Max.	Min.	Nom.	Max.	
13.5	333	370	407	40	50	60	1,000

Notes:

- 1 **Base Type** W2.1x9.5d
- 2 **Filament Shape** C-2R
- 3 **Bead colour** Clear
- 4 **Lamp Marking** E marked lamp
- 5 **Environmental** RoHS & REACH SVHC compliant