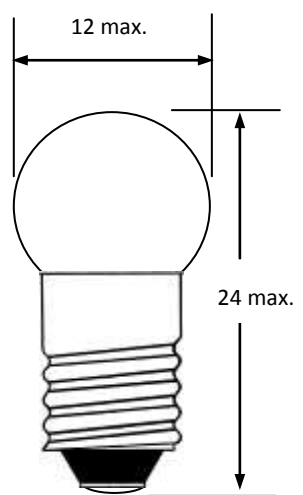


PRODUCT DATA SHEET

Part Number: G501

| Type | Size | Rating | Description |
|--------------|------|------------|------------------------|
| Incandescent | G11 | 6.5V 300mA | G-3½ Edison screw lamp |



All dimensions in mm.

| TEST VOLTS | CURRENT (mA) | | | LIGHT OUTPUT (Lm) | | | LIFE Hours |
|------------|--------------|------|------|-------------------|------|------|------------|
| | Min. | Nom. | Max. | Min. | Nom. | Max. | |
| 6.5 | 270 | 300 | 330 | 10 | 12 | 14 | 4,000 |

Notes:

- 1 **Base Type** E10/13 Nickel plated brass
- 2 **Filament Shape** C-2R
- 3 **Bead Colour** White or clear
- 4 **Marking** CML 6.5V 300mA
- 5 **Environmental** RoHS & REACH SVHC compliant
- 6 **General** Equivalent to part N9951183