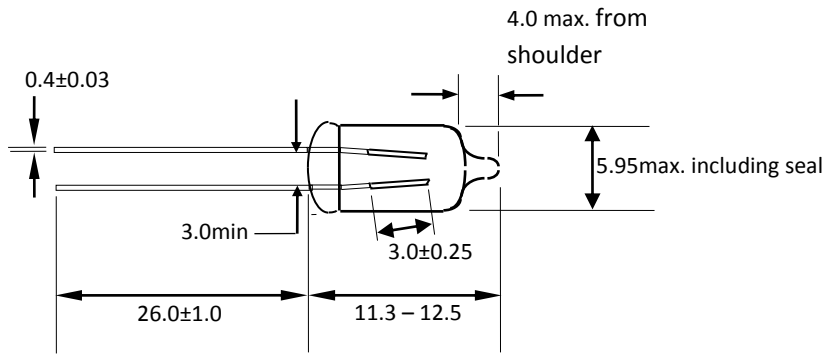


Part Number: 12.5/25HB

Type	Size	Rating	Description
Neon	T6	AC	High Brightness Wire-ended Neon Lamp



Dimensions in millimetres

Notes:

- | | | |
|---|------------------------------|-----------------------------|
| 1 | Brightness | High |
| 2 | Lead Type | Tin plated |
| 3 | Current | 1.8mA nominal |
| 4 | Strike Voltage | 95VAC maximum |
| 5 | Life | 10,000 hrs. nominal |
| 6 | Operating temperature | -50°C - +160°C |
| 7 | Environmental | RoHS & REACH SVHC compliant |