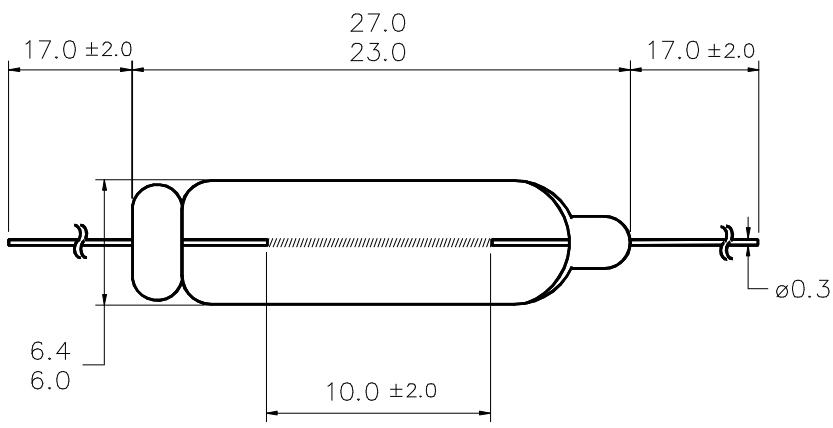


Part Number: 3820AL-LF

Type	Size	Rating	Description
Incandescent	T4.2 x 18	6V 100mA	Wire Terminal Axial Lamp



Dimensions in millimetres

TEST VOLTS	CURRENT (mA)			LIGHT OUTPUT (Lm)			LIFE Hours
	Min.	Nom.	Max.	Min.	Nom.	Max.	
6	90	100	110	1.4	1.9	2.4	5,000

Notes:

- 1 **Filament Shape** C-8
- 2 **Leadwires** 0.3mm Ø with untinned, cleaned-only finish
- 3 **Environmental** RoHS & REACH SVHC compliant