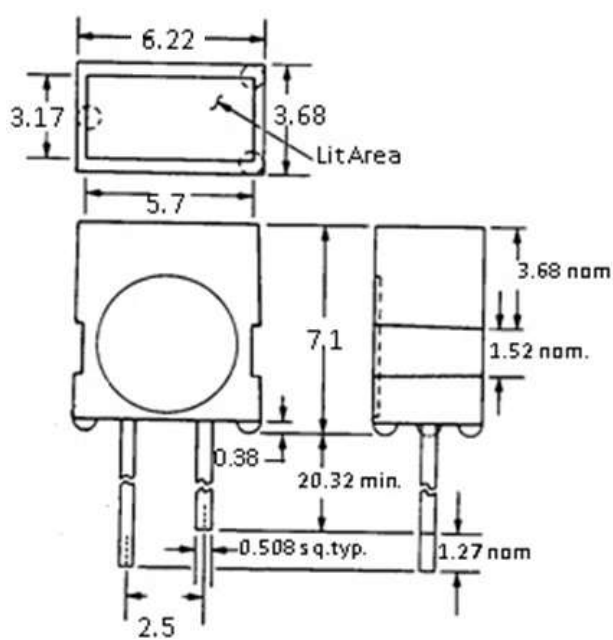


Part Number: V54124A

Type	Colour	Wavelength	Description
LED	Green	562nm	Rectangular LED Indicator



<b>Characteristics</b>	
Lens type	Green diffuse
Luminous intensity(mcd @ 20mA)	1.0min 6.0typ
Viewing angle(2θ½)	100°
<b>Absolute maximum ratings(T<sub>A</sub>=25°C)</b>	
Power dissipation	120mW
Continuous forward current	30mA
Peak forward current(1us, 0.3%DF)	90mA
Storage and operating temperatures	-55 - +100°C
Lead soldering time @ 260°C(1.6mm below package base)	5sec
<b>Operating characteristics(T<sub>A</sub>=25°C)</b>	
Peak wavelength(I <sub>F</sub> =20mA)	562nm
Spectral line half-width(I <sub>F</sub> =20mA)	30nm
Capacitance(typ)(V <sub>F</sub> =0V;f=1MHz)	20pF
Reverse current(max)(V <sub>R</sub> =5V)	100uA
Approved supplier	Fairchild
Packaging type	Loose in bags