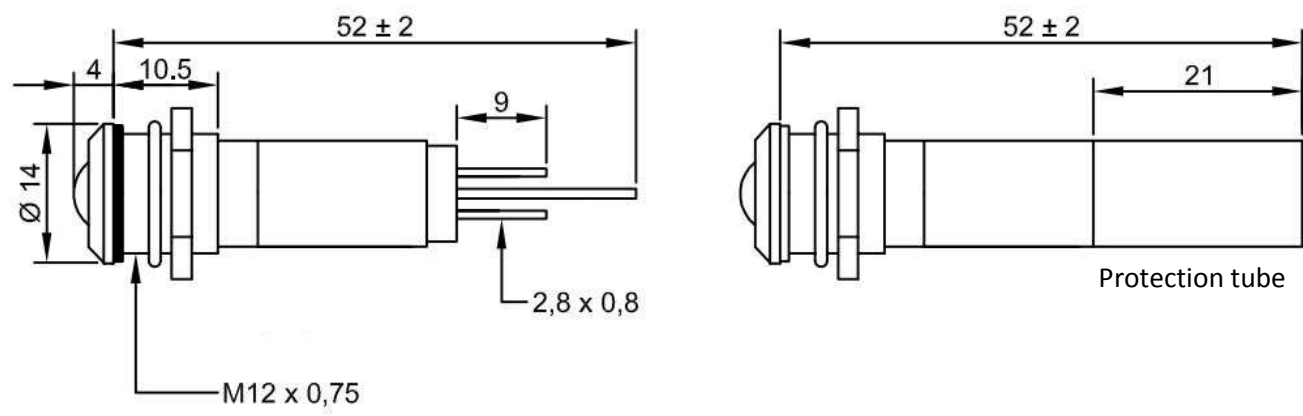


Part Number: 192DX23X

Type	Size	Rating	Description
LED	M12	230VAC	Prominent Bezel Panel Indicator



All dimensions in mm.

Part #	Colour	Current (mA)	Intensity (mcd)
192DX230	Red	3	70
192DX231	Green	3	200
192DX232	Yellow	3	60
192DX237	Blue	3	80
192DX23WA	White	3	500

Notes:

- 1 Electrical & optical data are measured at an ambient temperature of 25°C
- 2 Luminous intensity on AC
- 3 Storage temperature -25 °C to +80°C
- 4 Application temperature -20 °C to +60°C
- 5 Due to component tolerances, colour temperature variations may be observed
- 6 The terminals are not qualified for soldering
- 7 Degree of protection IP67 when used with the supplied gasket
- 8 The plastic(polycarbonate) has limited chemical resistance
- 9 RoHS & REACH SVHC compliant