



RJ45 CAT 5E/6A ETHERNET

MIL-DTL-38999 Series III Type Connectors



233-300 Coupler with accessory threads



Plug  
Front View



Receptacle  
Front View



Receptacle  
Rear View

**Material and Finish<sup>1</sup>**

<b>NF</b>	Aluminum/Cadmium, Olive Drab
<b>ME</b>	Aluminum/Electroless Nickel
<b>MT</b>	Aluminum/Nickel PTFE
<b>ZR</b>	Aluminum/Black Zinc-Nickel

**NOTES**

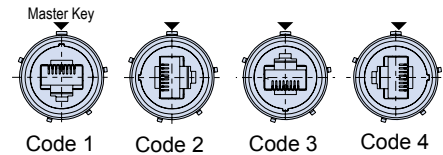
1. See Section A for alternate key/keyway positions and panel cutout dimensions
2. G option is inline shielded and grounded to shell, available for receptacle only
3. Front panel mount only
4. Meets IP67 in unmated condition, IP68 mated
5. For shrink boot see part number 770-028
6. Receptacle has RJ45 jack. Plug has RJ45 plug to jack

Part Number Development									
<b>Sample Part Number</b>	<b>233-300</b>	<b>NF</b>	<b>00</b>	<b>G</b>	<b>17</b>	<b>5H</b>	<b>N</b>	<b>1</b>	<b>T</b>
<b>Basic Number</b>	<b>233-300</b>								
<b>Finish</b>	See Material and Finish table								
<b>Connector Style<sup>1</sup></b>	See Connector Style table								
<b>Insert-to-Shell Grounding</b>	- = Inline shielded RJ45 insert G = Shielded and grounded to shell <sup>2</sup>								
<b>Shell Size</b>	<b>17</b> or <b>19</b>								
<b>RJ45 Category</b>	<b>5H</b> = CAT 5e <b>6A</b> = CAT 6A (CAT 6A receptacle only, for plug see 233-312)								
<b>Alternate Key Position<sup>1</sup></b>	Per MIL-DTL-38999 <b>A, B, C, D, E, N</b> = <b>Normal</b>								
<b>RJ45 Orientation</b>	<b>1, 2, 3, or 4</b>								
<b>Shrink Boot</b>	<b>T</b> = Part No. 770-028; see accessory section. (Omit for None)								

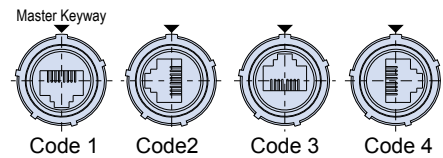
**Connector Style<sup>1</sup>**

<b>00</b>	Wall mount receptacle with slotted holes <sup>3</sup>
<b>01</b>	Wall mount receptacle with slotted holes and metal cable gland
<b>05</b>	Inline Receptacle
<b>07</b>	rear panel mount, jam nut receptacle
<b>08</b>	In-line receptacle with metal cable gland
<b>D0</b>	Wall mount receptacle with round holes
<b>D1</b>	Wall mount receptacle with round holes and metal gland
<b>CM</b>	Wall mount receptacle with metric clinch nuts
<b>CG</b>	Wall mount receptacle with metric clinch nuts and metal gland
<b>CS</b>	Wall Mount Receptacle with standard clinch nuts
<b>G6</b>	plug
<b>G7</b>	Plug with metal cable gland <sup>5</sup>
<b>G9</b>	Plug with metal cable gland <sup>5</sup>

**RJ45 Orientation Options (Plug Face)**



**RJ45 Orientation Options (Receptacle Face)**

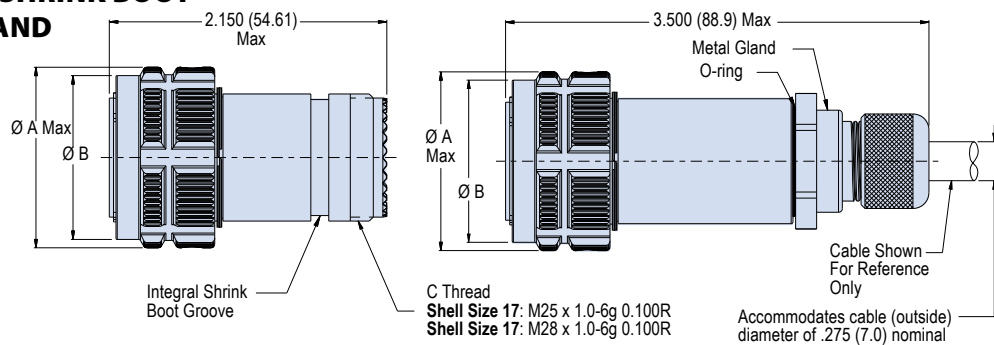


*All external dimensions, features, etc. compliant with D38999/20, /24, &/26. Consult factory for additional information.*

**G6 - PLUG WITH INTEGRAL SHRINK BOOT**

**G7 - PLUG WITH METAL GLAND**

G6 and G7 - plug Dimensions				
Shell Size	A Dia Max		B Dia	
	in	mm	in	mm
<b>17</b>	1.406	35.71	1.276 1.268	32.41 32.21
<b>19</b>	1.516	38.51	1.382 1.374	35.10 34.90





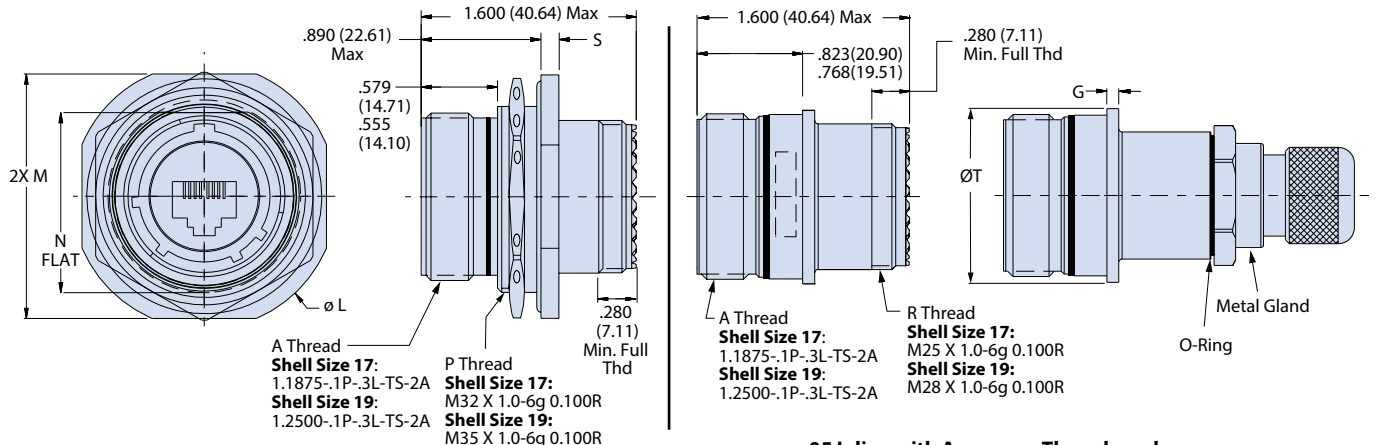
RJ45 CAT 5E/6A ETHERNET

MIL-DTL-38999 Series III Type Connectors



233-300 Coupler with accessory threads

**07 - REAR PANEL MOUNT JAM NUT AND 05 OR 08 - INLINE RECEPTACLES**

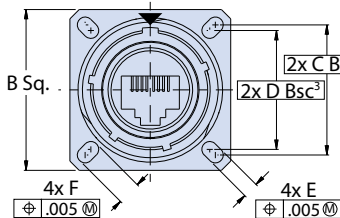


07 Jam Nut Receptacle (mating face and side view)

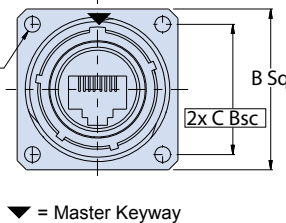
05 Inline with Accessory Threads and 08 Inline with Metal Gland (side view only)

**00, 01, D0, D1, CM AND CG - WALL MOUNT RECEPTACLES WITH ACCESSORY THREADS OR METAL GLAND**

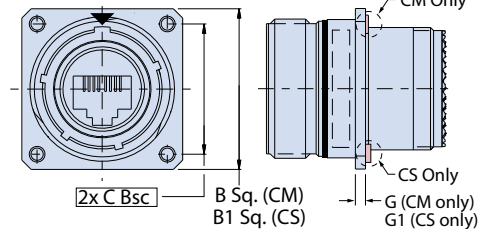
00, 01 - Wall Mount Receptacle with Slotted Holes (Mating Face)



D0, D1 - Wall Mount Receptacle with Round Holes (Mating Face)

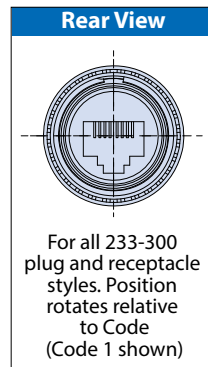
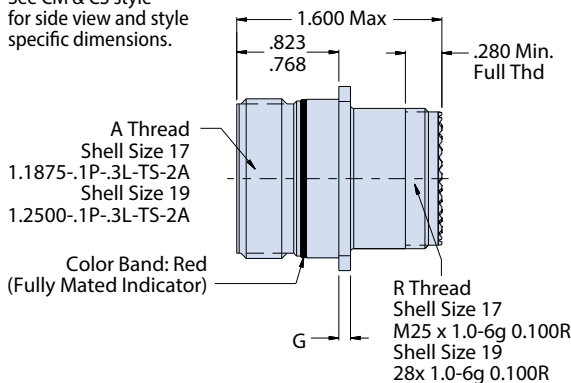


CM Metric and CS Standard - Wall Mount Receptacles (Mating Face and Side View)

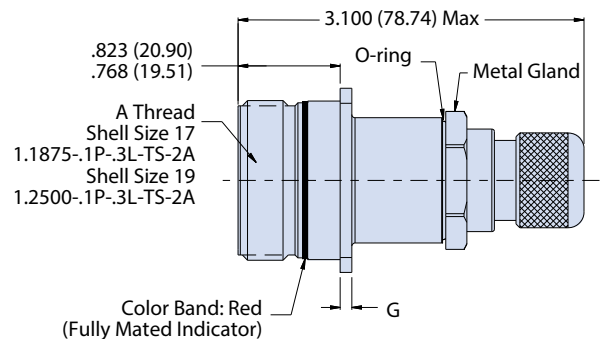


Note: See CM & CS style for side view and style specific dimensions.

00, D0, CM - Wall Mount Receptacle



01, D1, CG - Wall Mount Receptacle with Metal Gland



Jam Nut and Inline Receptacle Dimensions					
Shell Size	ØL	M	N	S	ØT Max
17	1.764 (44.81)	1.642 (41.71)	1.191 (30.25)	.122 (3.09)	1.275 (32.39)
	1.740 (44.20)	1.610 (40.89)	1.181 (30.00)	.083 (2.11)	
19	1.949 (49.50)	1.827 (46.41)	1.316 (33.43)	.153 (3.89)	1.337 (33.96)
	1.925 (48.90)	1.795 (45.59)	1.306 (33.17)	.114 (2.90)	

Wall Mount Receptacle Dimensions									
Shell Size	B Sq	B1 Sq	C Bsc	D Bsc²	E	F	G	G1	ØJ Holes
17	1.323 (33.60)	1.437 (34.50)	1.062 (26.97)	.969 (24.61)	.136 (3.45)	.202 (5.13)	.098 (2.49)	.122 (3.10)	.136 (3.45)
	1.299 (32.99)	1.397 (35.48)			.120 (3.05)	.186 (4.72)	.083 (2.11)	.083 (.58)	.120 (3.05)
19	1.449 (36.80)	1.531 (38.89)	1.156 (29.36)	1.062 (26.97)				.153 (3.89)	.120 (3.05)
	1.425 (36.20)	1.491 (37.87)						.144 (3.66)	