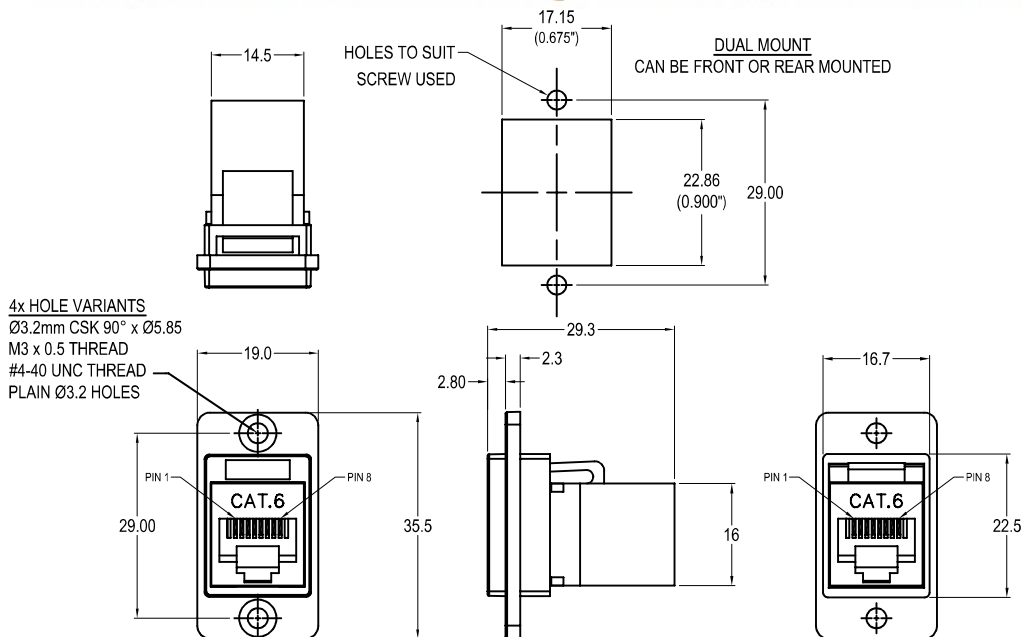


CLIFF

DUALSLIM CAT.6 RJ45 METAL FRAME FEEDTHROUGH CONNECTOR

Can be front or rear mounted in the panel



VARIANTS

Part No.

CP30722M	DUALSLIM Cat.6 RJ45 Nickel frame, CSK holes
CP30722MB	DUALSLIM Cat.6 RJ45 Black metal frame, CSK holes
CP30722M3	DUALSLIM Cat.6 RJ45 Nickel frame, M3 holes
CP30722MB3	DUALSLIM Cat.6 RJ45 Black metal frame, M3 holes
CP30722M440	DUALSLIM Cat.6 RJ45 Nickel frame, #4-40 holes
CP30722MB440	DUALSLIM Cat.6 RJ45 Black metal frame, #4-40 holes
CP30722MX1	DUALSLIM Cat.6 RJ45 Nickel frame, Ø3.2 PLAIN holes
CP30722MBX1	DUALSLIM Cat.6 RJ45 Black metal frame, Ø3.2 PLAIN holes

Feedthrough Features

- Fits standard rectangular cutout.
- Front or rear mounting through the panel.
- Various hole mounting options.
- No soldering or punch termination. Use standard cable for each connector style.
- Low rear profile.

General:

Please note: Functionality is affected by cable quality, length and cable wiring configuration.

Material:

- 1.RJ45 In-Line Coupler: PC/ABS, UL 94V-0
- 2.RJ45 In-Line Coupler Contact: Phosphor Bronze, 3-50 micro inches gold plating over nickel plate.
- 3.PCB: FR4, UL 94V-0
4. Frame: Diecast, Nickel or Black plated

Performance:

- 1.T568A & T568B wiring.
- 2.Meet ISO/IEC 11801 and EN50173
- 3.Meet ANSI/TIA/EIA 568B.2
- 4.Operating temperature: Min -10°C Max +60°C