

# CSTA264NN00450020000 ✓ ACTIVE

TE Internal #: CSA264N00450020000

Standard Circular Connectors, Cable-to-Cable, Power & Signal,  
Cable Mount (Free-Hanging), Electrodeposited Nickel, Zinc Alloy,  
PBT GF, 40 Shell Size

[View on TE.com >](#)



Connectors > Circular Connectors > Standard Circular Connectors



Connector System: **Cable-to-Cable**

Sealable: **No**

Circuit Application: **Power & Signal**

Connector Mounting Type: **Cable Mount (Free-Hanging)**

Shell Plating Material: **Electrodeposited Nickel**

## Features

### Product Type Features

Product Type	Connector
Connector System	Cable-to-Cable
Sealable	No
Circular Connector Type	Plug
Shell Type	Metal

### Electrical Characteristics

Operating Voltage	630 VAC
-------------------	---------

### Body Features

Environmental Protection	IP67
Shell Plating Material	Electrodeposited Nickel
Shell Base Material	Zinc Alloy
Circular Connector Insulation Material Type	PBT GF

### Mechanical Attachment

Mating Retention Type	Speedtec (Triple Start Threaded)
-----------------------	----------------------------------



Connector Mounting Type

Cable Mount (Free-Hanging)

### Housing Features

Circular Connector Shell Size

40

Alignment Keyed

0°

### Dimensions

Cable Diameter Range

16.5 – 25 mm [.65 – .98 in]

### Usage Conditions

Operating Temperature Range

-20 – 130 °C [-4 – 266 °F]

### Operation/Application

Durability Rating

500 Cycles

Circuit Application

Power &amp; Signal

Shielded

Yes

### Industry Standards

UL Flammability Rating

UL 94V-0

Approved Standards

UL

### Product Compliance

[For compliance documentation, visit the product page on TE.com>](#)

EU RoHS Directive 2011/65/EU

Compliant with Exemptions

EU ELV Directive 2000/53/EC

Not Yet Reviewed

China RoHS 2 Directive MIIT Order No 32, 2016

Restricted Materials Above Threshold

EU REACH Regulation (EC) No. 1907/2006

Current ECHA Candidate List: JUN 2020 (209)  
 Candidate List Declared Against: JUN 2020 (209)  
 SVHC > Threshold:  
 Pb (3.5% in Component)

**Article Safe Usage Statements:**

Do not eat, drink or smoke when using this product. Wash thoroughly after handling. Recycle if possible and dispose of the article by following all applicable governmental regulations relevant to your geographic location.

Halogen Content

Not Yet Reviewed for halogen content

Solder Process Capability

Not reviewed for solder process capability

#### Product Compliance Disclaimer

This information is provided based on reasonable inquiry of our suppliers and represents our current actual knowledge based on the information they provided. This information is subject to change. The part numbers that TE has identified as EU RoHS compliant have a maximum concentration of 0.1% by weight in homogenous materials for lead, hexavalent chromium, mercury, PBB, PBDE, DBP, BBP, DEHP, DIBP, and 0.01% for cadmium, or qualify for an exemption to these

limits as defined in the Annexes of Directive 2011/65/EU (RoHS2). Finished electrical and electronic equipment products will be CE marked as required by Directive 2011/65/EU. Components may not be CE marked. Additionally, the part numbers that TE has identified as EU ELV compliant have a maximum concentration of 0.1% by weight in homogenous materials for lead, hexavalent chromium, and mercury, and 0.01% for cadmium, or qualify for an exemption to these limits as defined in the Annexes of Directive 2000/53/EC (ELV). Regarding the REACH Regulation, the information TE provides on SVHC in articles for this part number is based on the latest European Chemicals Agency (ECHA) 'Guidance on requirements for substances in articles' posted at this URL: <https://echa.europa.eu/guidance-documents/guidance-on-reach>

## Compatible Parts



TE Part # CGE271N00000020000  
940 RECEPTACLE ANGLED,  
ROTATABLE, SPEEDTEC



TE Part # CEA271N00000030000  
940 RECEPTACLE, SPEEDTEC



TE Part # C0-0008-000-000  
CRIMPING TOOL LARGE



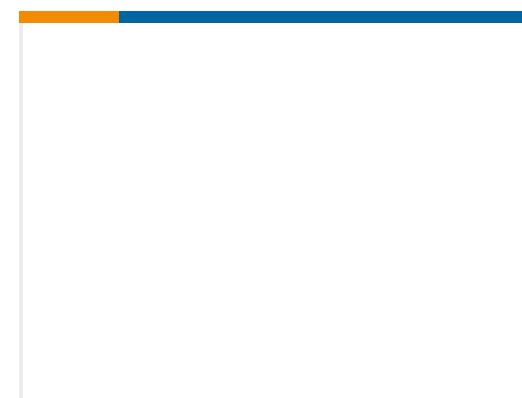
TE Part # C0-0010-000-000  
POSITIONING INSERT FOR 3.6 MM  
CONTACTS



TE Part # C0-0236-000-000  
DIGITAL CRIMPING TOOL, MID SIZE



TE Part # C0-0201-000-000  
CRIMPING TOOL MID-SIZE



TE Part # C0-0004-000-000  
POSITIONING INSERT FOR 2 MM  
CONTACTS



TE Part # C0-0313-000-000  
CRIMPING DEVICE HC20 IN CASE

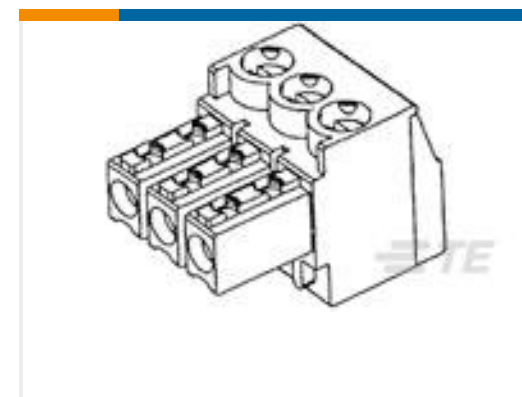
## Customers Also Bought



TE Part #7-1658062-1  
MSB0.80RC-ASY28DP,GP,10,VCTR



TE Part #1-2176312-2  
RP 1E 0.1W 16K2 0.1% 25PPM 1K RL



TE Part #796693-5  
5 POS TERMI-BLOK PLUG STACK



TE Part #2-1734598-2  
AMP HPI 1.25MM HEADERS



TE Part #6489700-1  
AMP-LATCH UNIVERSAL HEADERS



TE Part #CSA265N00450001000  
940 PLUG



TE Part #2358691-1  
RESOLVER V23401-T1071-B101



TE Part #CSA263N00250001000  
940 PLUG



## Documents

### CAD Files

[3D PDF](#)

3D

Customer View Model

[ENG\\_CVM\\_CVM\\_CSA264N00450020000\\_A.2d\\_dxf.zip](#)

English

Customer View Model

[ENG\\_CVM\\_CVM\\_CSA264N00450020000\\_A.3d\\_igs.zip](#)

English

Customer View Model

[ENG\\_CVM\\_CVM\\_CSA264N00450020000\\_A.3d\\_stp.zip](#)

English

By downloading the CAD file I accept and agree to the [Terms and Conditions](#) of use.

### Datasheets & Catalog Pages

[CSA264N00450020000](#)

English

### Instruction Sheets

[Instruction Sheet \(non U.S.\)](#)

English