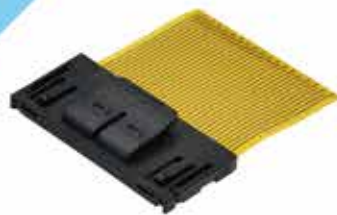




# ZConnect

Product Catalogue



FPC



Wire-to-Board



FFC

# Key Features

- Anti-Vibration
- Audible Feedback
- Multiple Contacts
- FPC, FFC, Wire-to-Board
- Low Profile
- Cost and Space Saving
- Improved Assembly Efficiency



UL 94-V0



IEC Standard



Harsh Environment



Space Saving



Audible Feedback



Anti-Vibration

## Markets / Applications



Commercial Military



Medical Equipment



Battery Management System



Automotive



Industrial Automation



Mobile Devices



Drone



GPS



Advanced Driver Assistance Systems



Power Distribution Control



Battery Module



Energy Storage System

# Automotive Applications

**Lighting**

- DRL (Daytime running light)
- Turn signal indicator, parking lights
- Signature lighting, rear lights

**Steering Column Switch**

- Wiper
- Turn signal
- Cruise control

**Camera Module**

- Parking sensor
- Around view monitoring
- Data video recorder

**Power Train**

- Transmission control unit

**Sensor**

- Pressure sensors
- Keyless entry sensor
- Electronic door handle

**Infotainment System**

- Touch screen display
- Audio/video interface
- Navigation

**Battery Management System**

- Battery FPC/PCB module

## Product Range Overview

Sub-Series Name	ZConnect
Mating Style	Quick plug
Plastic Version	✓
Metal Version	✓
No. of Contacts	40 / 36 / 20 / 18 / 12
Plating of Contacts	Gold Plated
Operating Voltage	120V
Current Rating	1A
Operating Temperature	-40°C ~ 110°C
Mating Cycles (Pin Contact)	10
Salt Spray (Connector, Mated)	48h
Flammability Rating	UL94V-0
RoHS 2.0 Compliance	✓
REACH Compliance	✓
Automotive Standard	LV214

## Contact Configuration

Pin	0.9Pitch	Pin	1.8Pitch	Pin	2.7Pitch
22	○	11	○	8	○
24	○	12	○	10	○
26	○	13	○	12	●
28	○	14	○		
30	○	15	○		
32	○	16	○		
34	○	17	○		
36	●	18	●		
38	○	19	○		
40	●	20	●		

● Available  
○ Upon Request

# Ordering Information

## Example

Z A - 11 B F R S - B A 0 - 001  
 XX X - XX X X X X - X X X - XXX

1 2 3 4 5 6 7 8 9 10 11

### Specification

(Z) Non Shielded  
 (ZS) Shielded

### Code

(A) A Code  
 (B) B Code  
 (C) C Code

### Number Of Contacts

Female	Male
08, ... ,40 Pin	(AA) 40(P0.9) / 20(P1.8)
	(AB) 38(P0.9) / 19(P1.8)
	(AC) 36(P0.9) / 18(P1.8) / 12(P2.7)
	(AD) 34(P0.9) / 17(P1.8)
	(AE) 32(P0.9) / 16(P1.8)
	(AF) 30(P0.9) / 15(P1.8) / 10(P2.7)
	(AG) 28(P0.9) / 14(P1.8)
	(AH) 26(P0.9) / 13(P1.8)
	(AI) 24(P0.9) / 12(P1.8) / 8(P2.7)
	(AJ) 22(P0.9) / 11(P1.8)

### Pin Pitch

Female	Male
(A) 0.9	(N) None
(B) 1.8	
(C) 2.7	

### Contact Gender

(M) Male Contact  
 (F) Female Contact

### Connector Style

Female	Male
(R) Right Angle	(A) Assembly
(V) Vertical	

### Terminal Style

Female	Male
(S) SMD	(N) None
(T) THT	

### Color

(B) Black  
 (G) Gary

### Plating

Female	Male
(A) AU	(N) None
(T) Tin	

### Waterproof Rating

(0) None	(7) IPX7
(5) IPX5	(8) IPX8
(6) IPX6	

### More Information

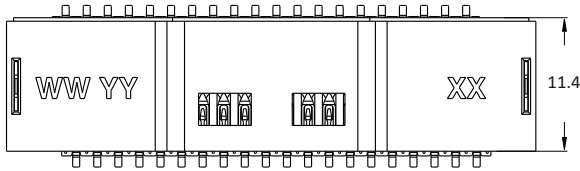
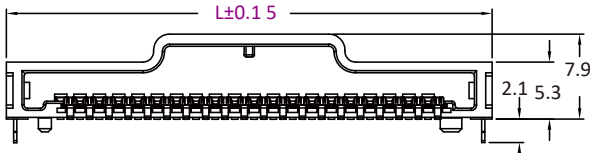
Female	Male	Male With Wires
(001), (002).....	(001)	(☐) + (■) Type + Cable Length
For Different Versions	(Only Connector)	e.g. (B15) = FFC + 150mm
		(☐): (A) FFC (■) Cable Length
		(B) FFC (10) 100mm ~ (95) 950mm * Every 50mm As Per Extension
		(C) Wire-To-Board (A0) 1000mm ~ (A5) 1500mm * Every 100mm As Per Extension

ZConnect

## General Specification

- Flammability: UL 94V-0
- UV Resistance: f1
- Operating Voltage: 120V
- Salt Spray: 48h
- Durability: 10 Cycles
- Housing Material: LCP
- Contact Material: PBT + PC
- IP Rating: NA
- Test Standard: LV214

## > SMT Socket

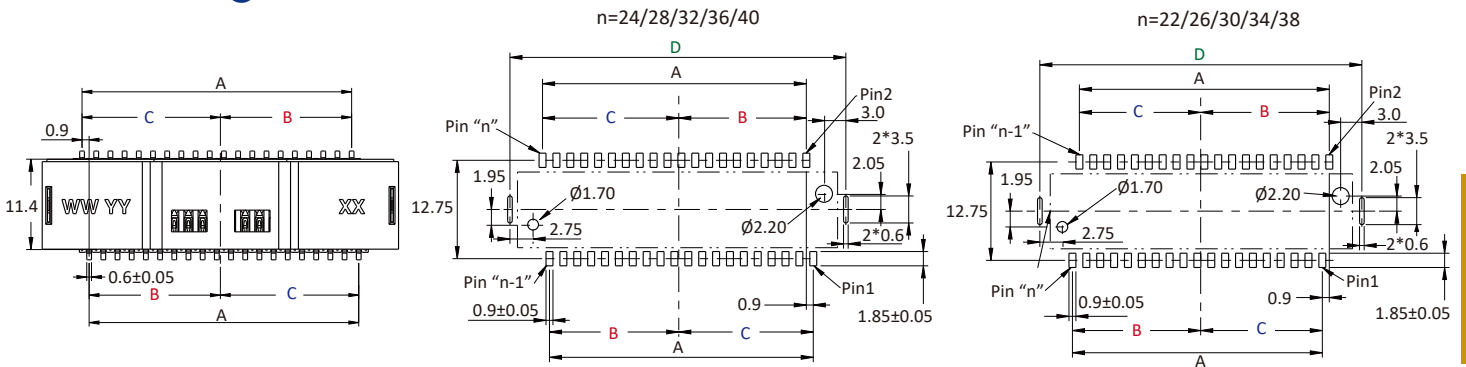


③ Pin (n)	Pitch	L	E	H	I	F	G	D
8	2.7	30.8	16.2	7.65	8.55	10.35	5.85	29.13
10		36.2	21.6	13.05	8.55	10.35	11.25	32.75
12		41.6	27.0	13.05	13.95	15.75	11.25	39.95

③ Pin(n)	Pitch	L	A	B	C	D
11	1.8	29.0	18.0	9.45	8.55	27.35
12		30.8	19.8	9.45	10.35	29.15
13		32.6	21.6	11.25	10.35	30.95
14		34.4	23.4	11.25	12.15	32.75
15		36.2	25.2	13.05	12.15	34.55
16		38.0	27.0	13.05	13.95	36.35
17		39.8	28.8	14.85	13.95	38.15
18		41.6	30.6	14.85	15.75	39.95
19		43.4	32.4	16.65	15.75	41.75
20		45.2	34.2	16.65	17.55	43.55
22	0.9	29.0	18.0	9.45	8.55	27.35
24		30.8	19.8	9.45	10.35	29.15
26		32.6	21.6	11.25	10.35	30.95
28		34.4	23.4	11.25	12.15	32.75
30		36.2	25.2	13.05	12.15	34.55
32		38.0	27.0	13.05	13.95	36.35
34		39.8	28.8	14.85	13.95	38.15
36		41.6	30.6	14.85	15.75	39.95
38		43.4	32.4	16.65	15.75	41.75
40		45.2	34.2	16.65	17.55	43.55

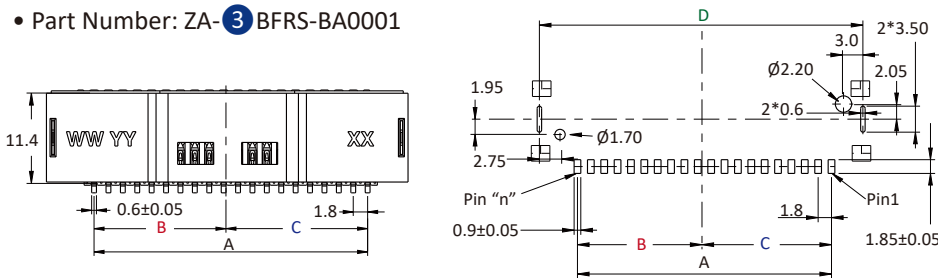
### 0.9mm Pitch

• Part Number: ZA-③ AFRS-BA0001



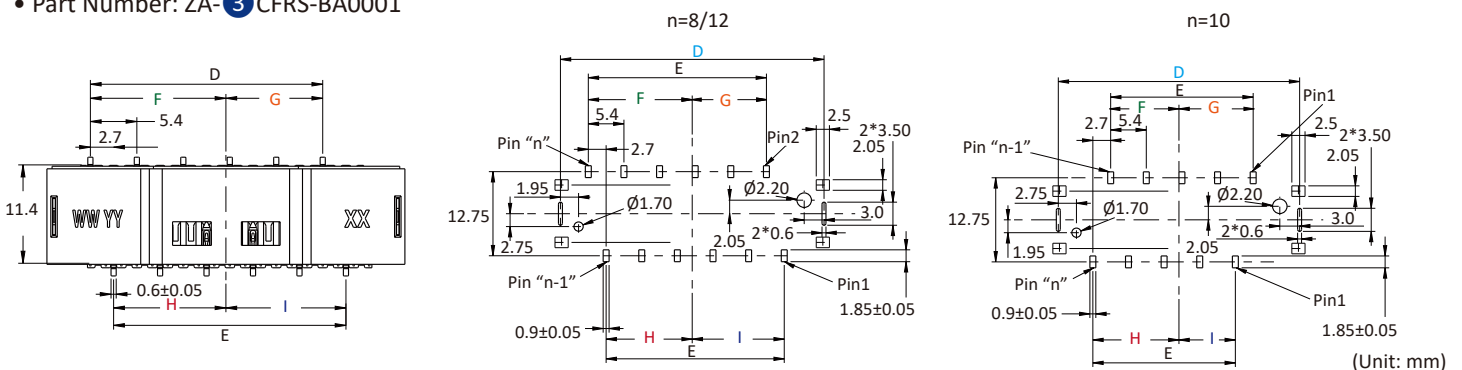
### 1.8mm Pitch

• Part Number: ZA-③ BFRS-BA0001



### 2.7mm Pitch

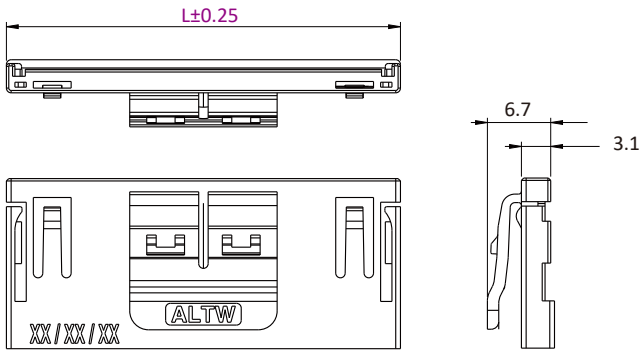
• Part Number: ZA-③ CFRS-BA0001



(Unit: mm)

## > Plug

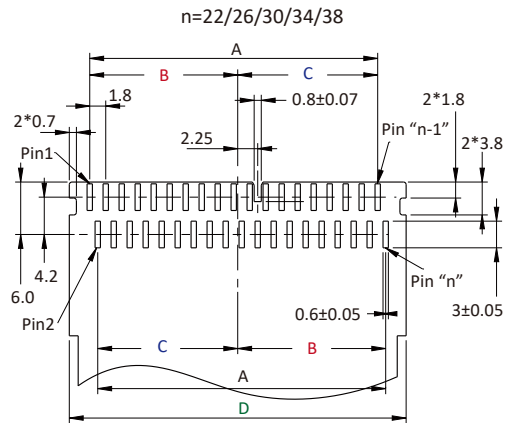
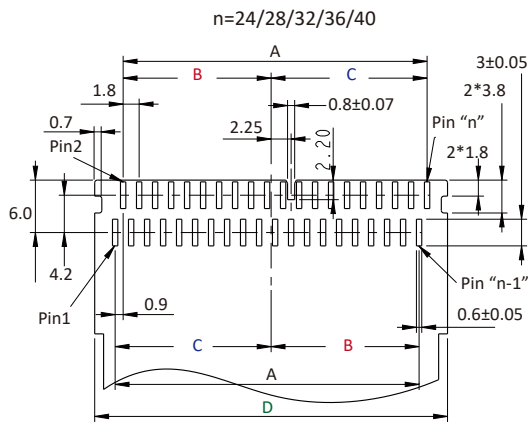
• Part Number: ZA-3 NMAN-BN0001



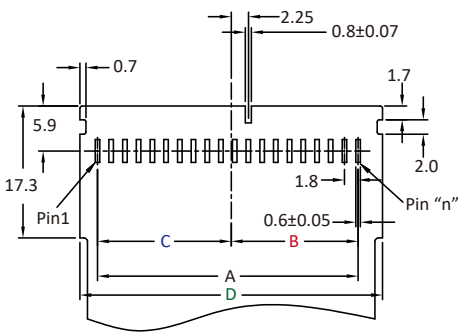
3 Pin (n)	Pitch	L	G	H	I	E	D	F
8	2.7	30.8	16.2	16.2	8.55	10.35	5.85	29.13
10		36.2	21.6	13.05	8.55	10.35	11.25	32.75
12		41.6	27.0	13.05	13.95	15.75	11.25	39.95

3 Pin (n)	Pitch	L	A	B	C	D
11	1.8	25.5	18.0	9.45	8.55	23.5
12		27.3	19.8	9.45	10.35	25.3
13		29.1	21.6	11.25	10.35	27.1
14		30.9	23.4	11.25	12.15	28.9
15		32.7	25.2	13.05	12.15	30.7
16		34.5	27.0	13.05	13.95	32.5
17		36.3	28.8	14.85	13.95	34.3
18		38.1	30.6	14.85	15.75	36.1
19		39.9	32.4	16.65	15.75	37.9
20		41.7	34.2	16.65	17.55	39.7
22	0.9	25.5	18.0	9.45	8.55	23.5
24		27.3	19.8	9.45	10.35	25.3
26		29.1	21.6	11.25	10.35	27.1
28		30.9	23.4	11.25	12.15	28.9
30		32.7	25.2	13.05	12.15	30.7
32		34.5	27.0	13.05	13.95	32.5
34		36.3	28.8	14.85	13.95	34.3
36		38.1	30.6	14.85	15.75	36.1
38		39.9	32.4	16.65	15.75	37.9
40		41.7	34.2	16.65	17.55	39.7

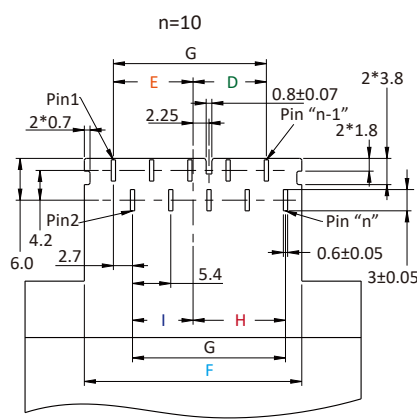
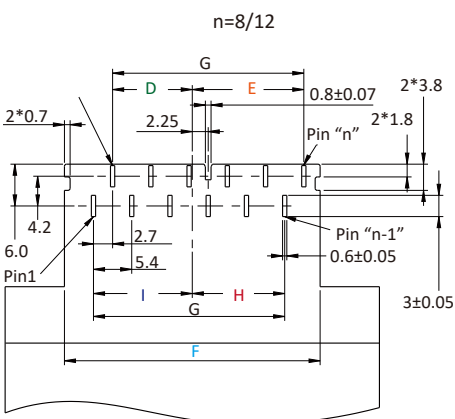
## 0.9mm Pitch



## 1.8mm Pitch



## 2.7mm Pitch



(Unit: mm)

# Assembly Instruction

\*\*FPC insert into PLUG with orientation error proof design and with auto locking function\*\*

