



## Effect Aqua: Splash-proof Bluetooth Party Speaker

Item ref: 100.614UK

User Manual

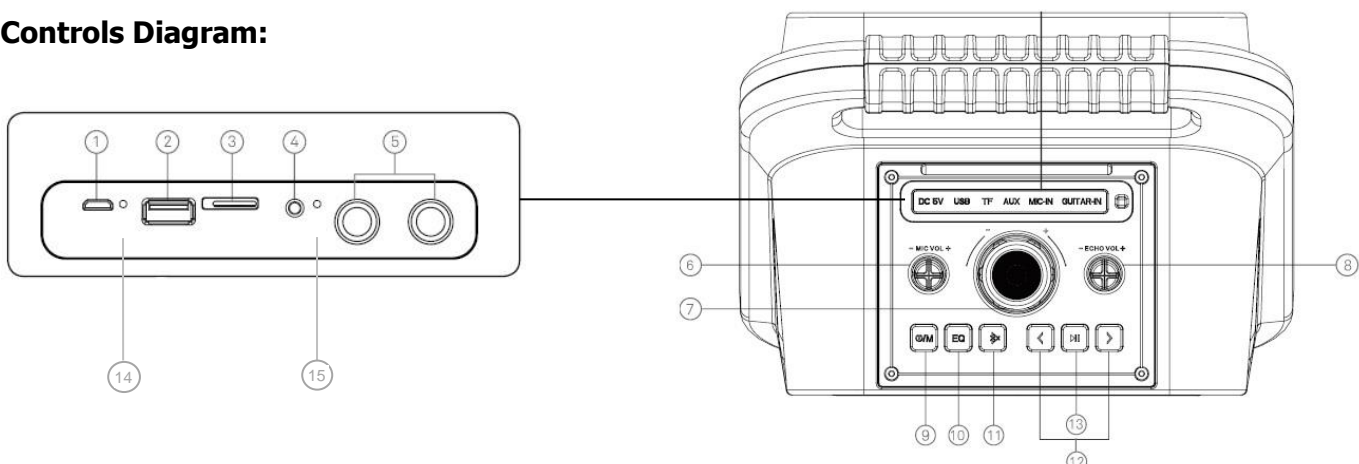
Make waves with the Effect Aqua, the splash resistant party speaker with multicolour LED light show. Perfect for karaoke kings and queens, simply connect the included microphone to showcase your talents and sing-along with your favourite tracks. Play your tunes wirelessly via Bluetooth from your smart device, use the inbuilt media ports or even FM radio. This speaker is light enough to be taken anywhere, even outdoors thanks to its splash resistance and internal rechargeable battery with up to 6 hours play time from a single charge.

- Stylish and rugged design with IPX4 splash resistance
- Connect to your smart device via Bluetooth
- Wired microphone included
- LED multicolored light effect in grille
- Media player with inbuilt FM radio, USB, Micro SD/TF and AUX ports
- 6.3mm Microphone and Guitar jack sockets
- Integrated smartphone/tablet holder
- Internal rechargeable battery with up to 6 hours playback
- Ideal for outdoor events, karaoke, house parties, kids' rooms and more

### Technical Specifications and Features

Speaker	8" Driver 20W RMS
Frequency range	50Hz-18KHz
Bluetooth version	5.0+EDR
Bluetooth range	Up to 18m (in clear line of sight)
FM Frequency range	87.5MHz-108MHz
Battery type	7.4V 4400mA internal rechargeable Lithium Ion
Battery life	Up to 6 hours (max volume)
Charge time	3 Hours from flat
Input connections	Bluetooth, USB, Micro SD/TF, AUX (3.5mm), micro USB (DC 5V/2A - charge only)
Power input	DC 5V/2A
Dimensions	400 x 290 x 203mm
Weight	3.08kg

### Controls Diagram:



## Unit Controls and Features:

1. **DC in 5V micro USB port:** Use the charging cable supplied and connect to a compatible USB power source for charging or constant power.
2. **USB port:** Multimedia playback via a USB flash drive or other compatible USB device.
3. **Micro SD (TF) slot:** Multimedia playback via a compatible Micro SD/TF card (max 64GB)
4. **AUX in jack:** Use to connect to audio output devices with a compatible 3.5mm lead (not supplied).
5. **Microphone/guitar jacks:** Connect the wired microphone supplied for constant voice playback or recording; and/or connect a separate guitar for constant playback.
6. **Microphone volume:** Rotate to increase or lower the connected microphone volume (Mic-In only).
7. **Volume control:** Rotate to increase or lower the master volume.
8. **Echo volume:** Rotate to increase or lower the echo effect of a connected microphone (Mic-In only).
9. **Power/mode button (⏻/M):** Long press to power the unit on or off. Short press to switch between modes (Bluetooth/AUX/FM/Record).
10. **EQ button:** Press repeatedly to alter the equalizer sound settings; **EQ1** is normal, **EQ2** is bass boost, **EQ3** is Rock.
11. **Bluetooth pairing button (⌘):** Press to enter Bluetooth pairing mode to connect with compatible devices.
12. **Track and station control buttons (<>):** Short press to move to the previous or next track in BT/USB mode, or previous/next station in FM radio mode.
13. **Play/pause button (▶||):** Long press to turn the LED Light show on or off. Short press in BT/USB mode to play or pause the current track or in FM mode to perform a channel scan.
14. **LED charging indicator:** Glows red when the unit is connected to a compatible USB power source and in charging mode. Goes out when fully charged.
15. **Reset aperture:** Press using a pin or sharp object to reset the unit to factory settings when required.

## Charging the battery:

- Fully charge the Effect's internal battery before first use. Use the USB cable provided and only connect to a suitable 5V USB power supply.
- During charging, the LED charging indicator (**14**) will glow red and go out when the unit is fully charged.  
**Note:** If the Effect is used while connected to a USB power source, the indicator will always glow, even when the unit is fully charged.

## Bluetooth Mode:

- Select Bluetooth mode by short pressing the Power/mode button (**9**) repeatedly until you hear the relevant voice prompt or alternatively by pressing the Bluetooth Pairing button (**11**).
- The Effect will enter Bluetooth pairing mode and become discoverable from your smart device.
- Enter the Bluetooth device list on your smart device and search for "QTX-Effect Aqua" and select to pair.
- Your device may ask you for a pairing confirmation or code, enter "0000" if prompted. When successful, a pairing tone can be heard.
- Once paired, the Effect will automatically reconnect to your device when both are in Bluetooth mode and within 18m of each other.
- You can now use the unit's Play/pause (**13**) and Track control buttons (**12**) to control the music on your connected smart device.

## USB & Micro SD/TF modes:

- The Effect is fitted with a media player which can play compatible music files from the USB (**2**) or MicroSD/TF port (**3**) on the top of the unit.
- Simply insert the relevant media and the unit will automatically enter either USB or Micro SD/TF mode and a voice prompt can be heard. Alternatively, you can select the relevant mode by short pressing the Power/mode button (**9**) repeatedly until you hear the relevant voice prompt.
- You can now use the unit's Play/pause (**13**) and Track control buttons (**12**) to control the music on your inserted media.

- The Effect also has a memory function which means it will continue from the last played track on the last album played, on the last occasion it was inserted.

### **FM mode:**

- Select FM mode by short pressing the Power/mode button (**9**) repeatedly until you hear the relevant voice prompt.
- To perform a channel scan, short press the Play/pause button (**13**) and the Effect will scan through the FM frequency, automatically saving any stations with a strong enough signal.
- Once the scan has finished, you can scroll back and forward through the saved channels using the Track control buttons (**12**) accordingly.

**Note:** If you are experiencing interference or poor signal quality on certain stations, it may be necessary to move the unit nearer to a window or doorway.

### **AUX in mode:**

- The Effect can also be connected to any audio output with either a single headphone 3.5mm jack or twin RCA stereo output using the appropriate connection lead (not provided).
- Simply connect the device correctly to the AUX in port on the top of the unit and enter the AUX mode by short pressing the Power/mode button (**9**) repeatedly until you hear the relevant voice prompt.
- Music from the connected device can now be played through the Effect's speaker.

**Note:** Ensure you have the volume on the connected device turned up to an audible level. The track control buttons on the Effect won't be able to control the music on the connected device when using the AUX connection method.

### **Using the microphone:**

- Connect the microphone supplied to the microphone jack on the top of the unit (**5**) and switch on.
- You can now sing along to your favourite music tracks whilst playing them through Bluetooth, USB/Micro SD, AUX in and FM modes.
- To adjust the microphone's volume independently of the unit volume, use the Microphone volume control (**6**) on the top of the unit.
- To adjust the microphone's Echo sound effect level, use the Echo volume control (**8**) on the top of the unit.

### **Connecting an electric guitar:**

- The Effect also has an additional 6.3mm jack (**5**) which can be used for attaching an electric guitar.
- This additional jack can be used at the same time as the microphone jack, but the volume can only be controlled by the guitar's master volume.

**Note:** There is no individual volume control or echo sound effect for the guitar connection.

### **LED light show:**

- The Effect has an inbuilt disco style LED light show housed within its front grille design. This will be automatically enabled when the unit is switched on.
- To disable the light effect at any time, long press the Play/pause button (**13**).

### **In the box:**

- Effect Aqua party speaker
- Wired microphone
- USB charging cable (1m)
- User guide

## FAQ

**Q)** Why is there no sound? **A)** Check that the volume level isn't turned down or off, or alternatively try tuning to another FM station. If you are connected to another device, ensure the volume level of the device is audible and that the device has been connected correctly.

**Q)** Why won't the Effect Aqua switch on? **A)** Check that the battery is charged. If not, connect the unit to a suitable power supply using the USB cable supplied.

**Q)** Why can't I connect via Bluetooth to my smart device? **A)** Ensure your device has Bluetooth mode switched on and is discoverable. Also ensure your device is within 18m range of the unit.

**Q)** Why can't I play the music from my USB flash drive or Micro SD/TF card? **A)** Ensure the media is inserted correctly and that the music is in either MP3 or WAV format. The maximum size of storage the Effect can handle is 64GB and also ensure that the installed media is formatted in FAT32.

**Q)** Why can't I hear any microphone response? **A)** Ensure the microphone is connected correctly, switched on and the mic volume turned up.

## Warnings

- For reasons of electrical safety, this device must never be immersed in water, exposed to damp or humid conditions or subjected to excessive forces.
- Do not use this device if you find that it is damaged in any way.
- Only use the USB power supply as recommended by the manufacturer.
- Clean only with a soft, dry cloth.
- When not in use for long periods, disconnect the power supply from the USB power source.
- Do not attempt to repair this device or take apart under any circumstances, as this will invalidate your warranty.



This product is classed as Electrical or Electronic equipment and should not be disposed with other household or commercial waste at the end of its useful life. The goods must be disposed of according to your local council guidelines.

**Errors and omissions excepted.**