

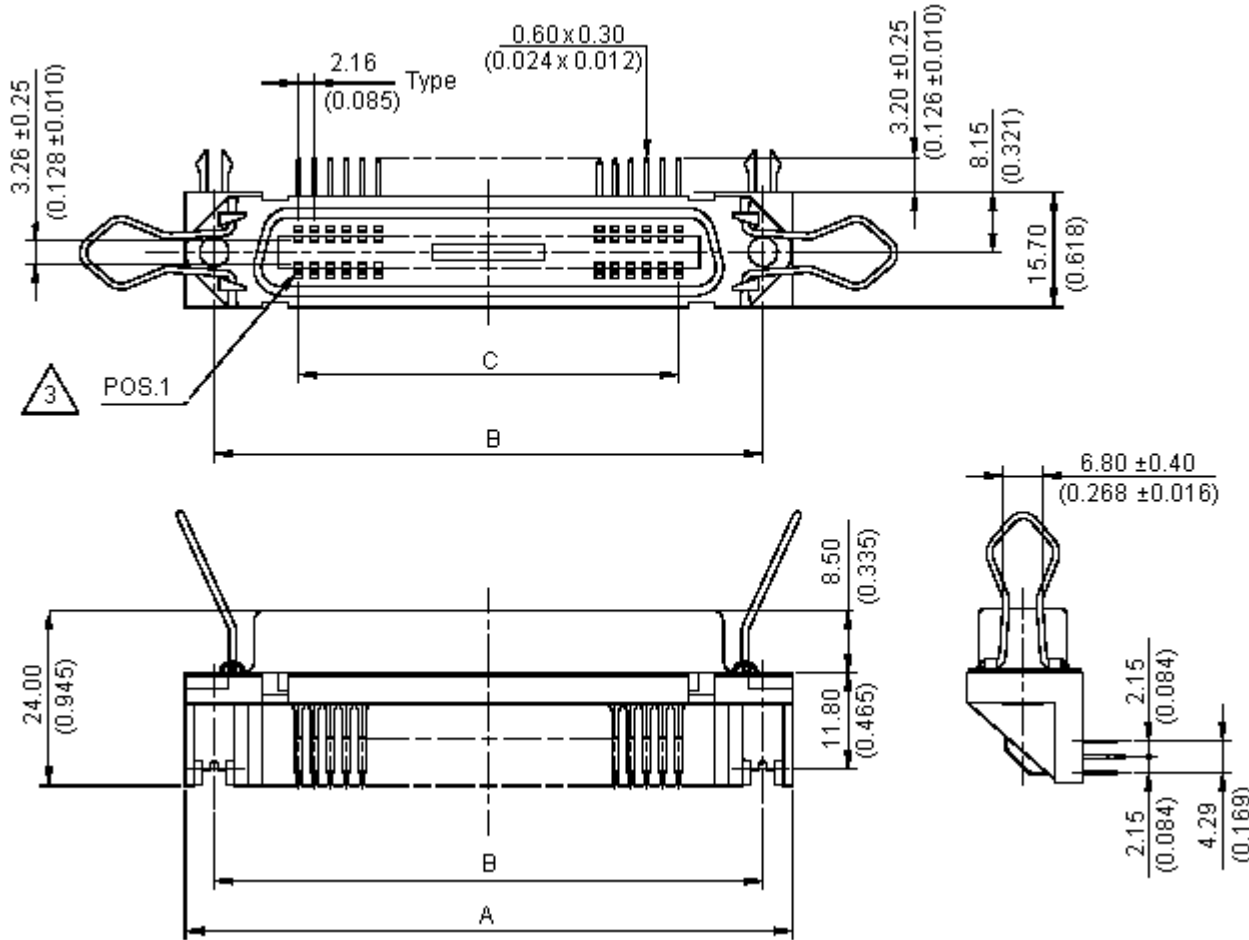


PART NO.

147753

REVISIONS

ECN #	REV	DESCRIPTION	DRAWN	DATE	CHECKD	DATE	APPRVD	DATE
-	A	RELEASED	Veena	12/4/08	Suresh	12/4/08	G. C	25/4/08



Performance Characteristics:

Electrical:

- Current rating : 3 Amp.
- Dielectric with standing volatage : 500V ac minimum. (for 1 minute).
- Insulation resistance : ≥1000 MΩ. (at 500V dc).
- Contact resistance : 30mΩ maximum mated.
- Working Temperature : - 25°C to + 85°C.

Mechanical:

- Insulator Material : PBT and 30% glass fiber reinforced.
- Contact Material : Phosphor Bronze.
- Contact Finish : Gold Over Nickel.
- Terminal Finish : Tin Over Nickel.
- Durability : 200 Cycles minimum.

Dimensions : Millimetres (Inches)

This data sheet and its contents (the "Information") belong to the Premier Farnell Group (the "Group") or are licensed to it. No licence is granted for the use of it other than for information purposes in connection with the products to which it relates. No licence of any intellectual property rights is granted. The Information is subject to change without notice and replaces all data sheets previously supplied. The Information supplied is believed to be accurate but the Group assumes no responsibility for its accuracy or completeness, any error in or omission from it or for any use made of it. Users of this data sheet should check for themselves the Information and the suitability of the products for their purpose and not make any assumptions based on information included or omitted. Liability for loss or damage resulting from any reliance on the Information or use of it (including liability resulting from negligence or where the Group was aware of the possibility of such loss or damage arising) is excluded. This will not operate to limit or restrict the Group's liability for death or personal injury resulting from its negligence. SPC MULTICOMP is the registered trademark of the Group. © Premier Farnell plc 2008.

TOLERANCES:

UNLESS OTHERWISE SPECIFIED, DIMENSIONS ARE FOR REFERENCE PURPOSES ONLY.

DRAWN BY:	DATE:
Veena	12/04/08
CHECKED BY:	DATE:
Suresh	12/04/08
APPROVED BY:	DATE:
G.Cook	25/04/08

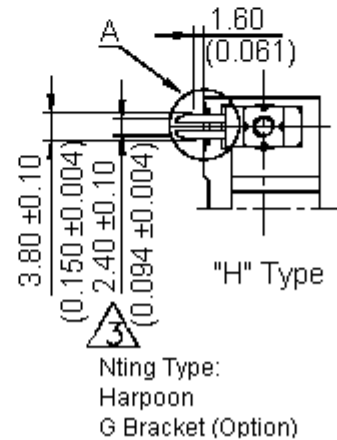
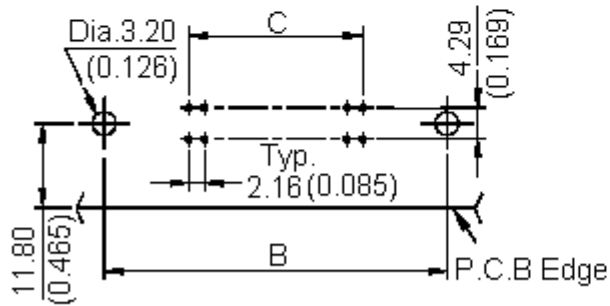
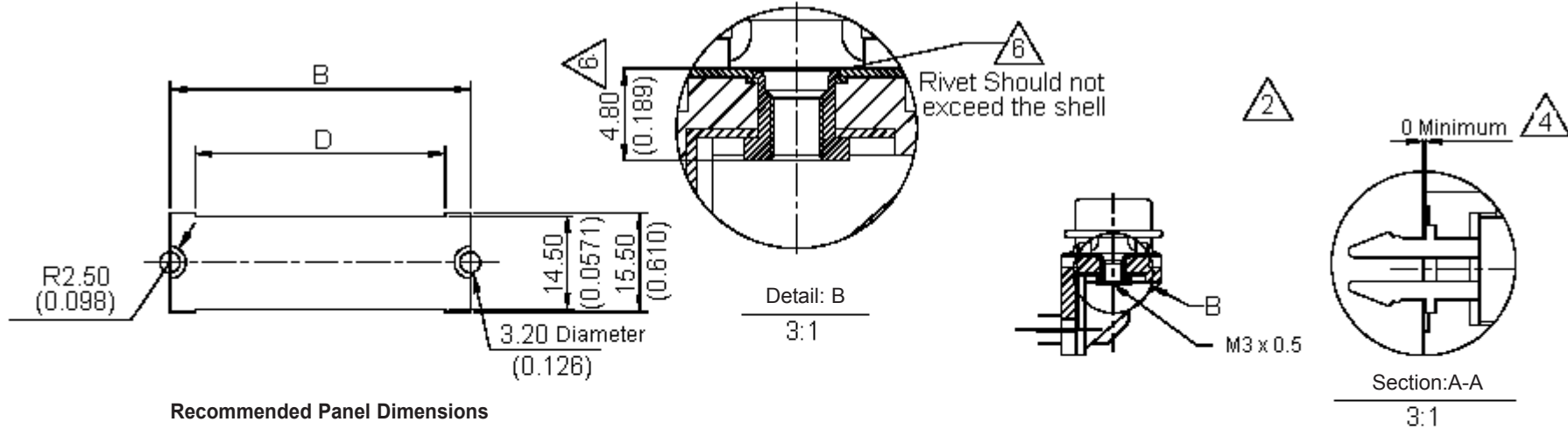
DRAWING TITLE:

Centronic PCB Socket R/A - 36 Way

SIZE	DWG NO.	ELECTRONIC FILE	REV
A	M10000839	1131098_DWG	A
SCALE: NTS	U.O.M.: mm (Inches)	SHEET: 1 OF 3	

REVISIONS

ECN #	REV	DESCRIPTION	DRAWN	DATE	CHECKD	DATE	APPRVD	DATE
-	A	RELEASED	Veena	12/4/08	Suresh	12/4/08	G. C	25/4/08



Dimensions : Millimetres (Inches)

This data sheet and its contents (the "Information") belong to the Premier Farnell Group (the "Group") or are licensed to it. No licence is granted for the use of it other than for information purposes in connection with the products to which it relates. No licence of any intellectual property rights is granted. The Information is subject to change without notice and replaces all data sheets previously supplied. The Information supplied is believed to be accurate but the Group assumes no responsibility for its accuracy or completeness, any error in or omission from it or for any use made of it. Users of this data sheet should check for themselves the Information and the suitability of the products for their purpose and not make any assumptions based on information included or omitted. Liability for loss or damage resulting from any reliance on the Information or use of it (including liability resulting from negligence or where the Group was aware of the possibility of such loss or damage arising) is excluded. This will not operate to limit or restrict the Group's liability for death or personal injury resulting from its negligence. SPC MULTICOMP is the registered trademark of the Group. © Premier Farnell plc 2008.

TOLERANCES:

UNLESS OTHERWISE SPECIFIED, DIMENSIONS ARE FOR REFERENCE PURPOSES ONLY.

DRAWN BY:

Veena

CHECKED BY:

Suresh

APPROVED BY:

G.Cook

DATE:

12/04/08

DATE:

12/04/08

DATE:

25/04/08

DRAWING TITLE:

Centronic PCB Socket R/A - 36 Way

SIZE
A

DWG NO.

M10000839

ELECTRONIC FILE
1131098_DWG

REV
A

SCALE: NTS

U.O.M.: mm (Inches)

SHEET: 2 OF 3



PART NO.

147753

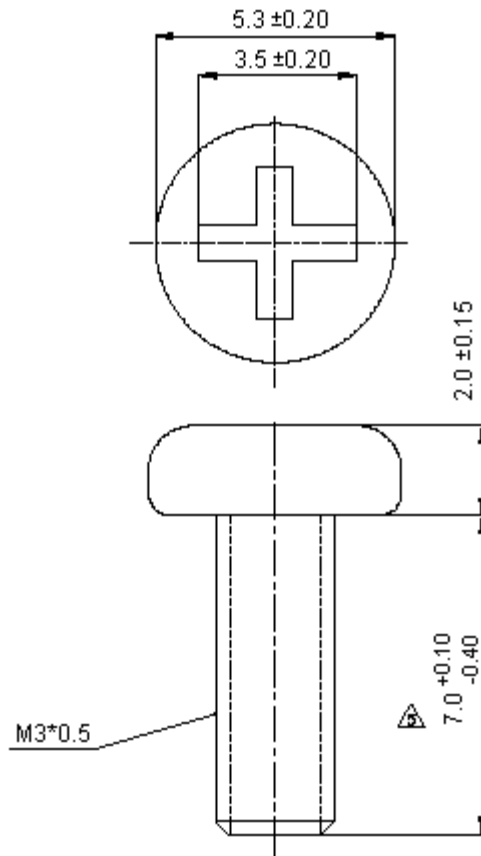
REVISIONS

ECN #	REV	DESCRIPTION	DRAWN	DATE	CHECKD	DATE	APPRVD	DATE
-	A	RELEASED	Veena	12/4/08	Suresh	12/4/08	G. C	25/4/08

Specifications:

Number of Pins	A ±0.36 (0.014)	B ±0.20 (0.008)	C ±0.20 (0.008)	D ±0.20 (0.008)	Part Number
36	62.10 (2.445)	53.75 (2.027)	51.50 (2.315)	36.72 (1.446)	147753

Dimensions : Millimetres (Inches)



<http://www.farnell.com>

<http://www.newark.com>

<http://www.cpc.co.uk>

This data sheet and its contents (the "Information") belong to the Premier Farnell Group (the "Group") or are licensed to it. No licence is granted for the use of it other than for information purposes in connection with the products to which it relates. No licence of any intellectual property rights is granted. The Information is subject to change without notice and replaces all data sheets previously supplied. The Information supplied is believed to be accurate but the Group assumes no responsibility for its accuracy or completeness, any error in or omission from it or for any use made of it. Users of this data sheet should check for themselves the Information and the suitability of the products for their purpose and not make any assumptions based on information included or omitted. Liability for loss or damage resulting from any reliance on the Information or use of it (including liability resulting from negligence or where the Group was aware of the possibility of such loss or damage arising) is excluded. This will not operate to limit or restrict the Group's liability for death or personal injury resulting from its negligence. SPC MULTICOMP is the registered trademark of the Group. © Premier Farnell plc 2008.

TOLERANCES:

UNLESS OTHERWISE SPECIFIED, DIMENSIONS ARE FOR REFERENCE PURPOSES ONLY.

DRAWN BY:	DATE:
Veena	12/04/08
CHECKED BY:	DATE:
Suresh	12/04/08
APPROVED BY:	DATE:
G.Cook	25/04/08

DRAWING TITLE:

Centronic PCB Socket R/A - 36 Way

SIZE A	DWG NO. M10000839	ELECTRONIC FILE 1131098_DWG	REV A
SCALE: NTS	U.O.M.: mm (Inches)	SHEET: 3 OF 3	