

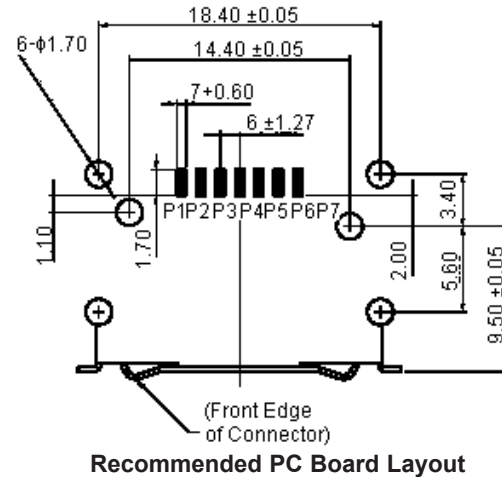
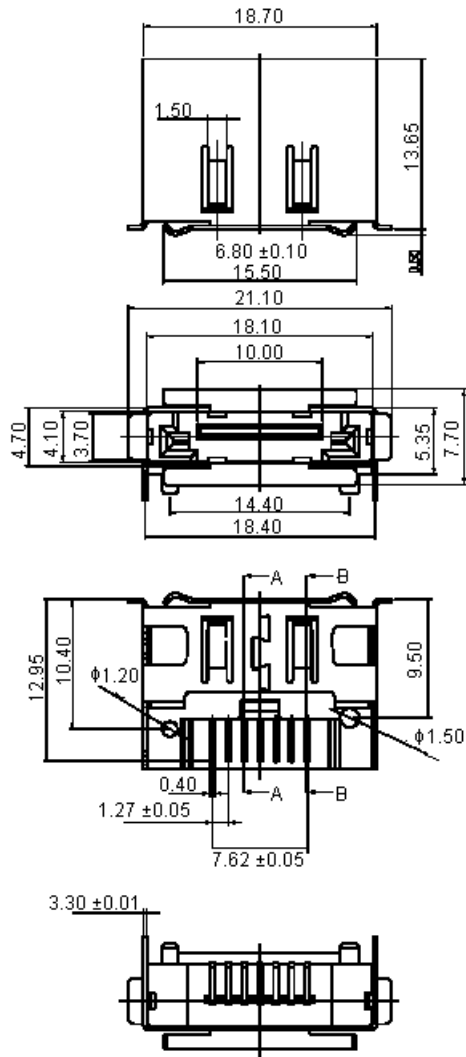


PART NO.

6SAU07MP-320R

REVISIONS

ECN #	REV	DESCRIPTION	DRAWN	DATE	CHECKD	DATE	APPRVD	DATE
-	A	RELEASED	Amudha	14/4/08	Suresh	14/4/08	G. C	28/4/08



Specifications:

Material:

Housing
Contact

: High temperature thermoplastic.
: Brass, gold plating over nickel on contact area, tin plating on solder area.
: Brass, nickel plated.

Shell

Mechanical:

Maximum Insertion force
Minimum Withdrawal Force
Durability

: 4,5Kgf.
: 1Kgf.
: 2500 cycles.

Electrical Specification:

Maximum Operation voltage
Current rating
Maximum Contact resistance
Minimum Insulation resistance
Dielectric with standing Voltage

: 100V ac.
: 1.5A per contact.
: 45m ohm.
: 1000m ohm.
: 500V ac.

Environmental:

Operation temperature

: - 25°C to + 85°C.

Dimensions : Millimetres

This data sheet and its contents (the "Information") belong to the Premier Farnell Group (the "Group") or are licensed to it. No licence is granted for the use of it other than for information purposes in connection with the products to which it relates. No licence of any intellectual property rights is granted. The Information is subject to change without notice and replaces all data sheets previously supplied. The Information supplied is believed to be accurate but the Group assumes no responsibility for its accuracy or completeness, any error in or omission from it or for any use made of it. Users of this data sheet should check for themselves the Information and the suitability of the products for their purpose and not make any assumptions based on information included or omitted. Liability for loss or damage resulting from any reliance on the Information or use of it (including liability resulting from negligence or where the Group was aware of the possibility of such loss or damage arising) is excluded. This will not operate to limit or restrict the Group's liability for death or personal injury resulting from its negligence. SPC MULTICOMP is the registered trademark of the Group. © Premier Farnell plc 2008.

TOLERANCES:

UNLESS OTHERWISE SPECIFIED, DIMENSIONS ARE FOR REFERENCE PURPOSES ONLY.

DRAWN BY:

Amudha

CHECKED BY:

Suresh

APPROVED BY:

G.Cook

DATE:

14/04/08

DATE:

14/04/08

DATE:

28/04/08

DRAWING TITLE:

E-SATA PLUG - R/A SMT REVERSE

SIZE
A

DWG NO.

M10000858

ELECTRONIC FILE
1428282_DWG

REV
A

SCALE: NTS

U.O.M.: mm

SHEET: 1 OF 3

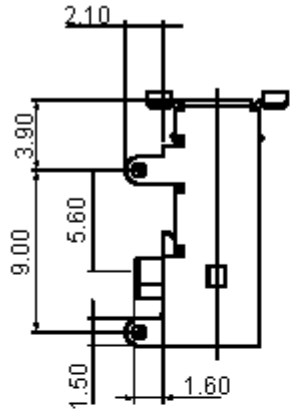


PART NO.

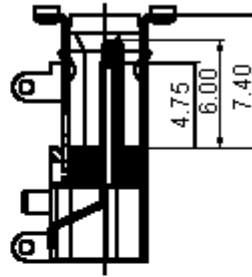
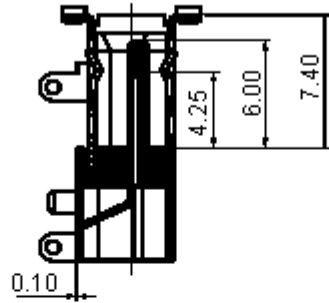
6SAU07MP-320R

REVISIONS

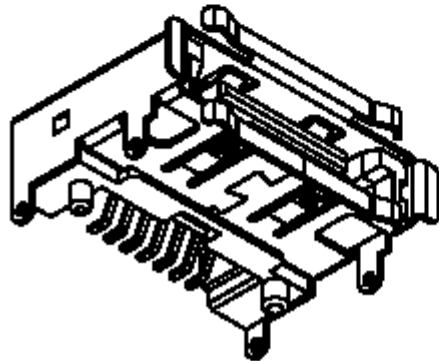
ECN #	REV	DESCRIPTION	DRAWN	DATE	CHECKD	DATE	APPRVD	DATE
-	A	RELEASED	Amudha	14/4/08	Suresh	14/4/08	G. C	28/4/08



Section A-A



Section B-B



Dimensions : Millimetres

This data sheet and its contents (the "Information") belong to the Premier Farnell Group (the "Group") or are licensed to it. No licence is granted for the use of it other than for information purposes in connection with the products to which it relates. No licence of any intellectual property rights is granted. The Information is subject to change without notice and replaces all data sheets previously supplied. The Information supplied is believed to be accurate but the Group assumes no responsibility for its accuracy or completeness, any error in or omission from it or for any use made of it. Users of this data sheet should check for themselves the Information and the suitability of the products for their purpose and not make any assumptions based on information included or omitted. Liability for loss or damage resulting from any reliance on the Information or use of it (including liability resulting from negligence or where the Group was aware of the possibility of such loss or damage arising) is excluded. This will not operate to limit or restrict the Group's liability for death or personal injury resulting from its negligence. SPC MULTICOMP is the registered trademark of the Group. © Premier Farnell plc 2008.

TOLERANCES:
UNLESS OTHERWISE SPECIFIED, DIMENSIONS ARE FOR REFERENCE PURPOSES ONLY.

DRAWN BY:	DATE:
Amudha	14/04/08
CHECKED BY:	DATE:
Suresh	14/04/08
APPROVED BY:	DATE:
G.Cook	28/04/08

DRAWING TITLE:			
E-SATA PLUG - R/A SMT REVERSE			
SIZE	DWG NO.	ELECTRONIC FILE	REV
A	M10000858	1428282_DWG	A
SCALE: NTS		U.O.M.: mm	SHEET: 2 OF 3



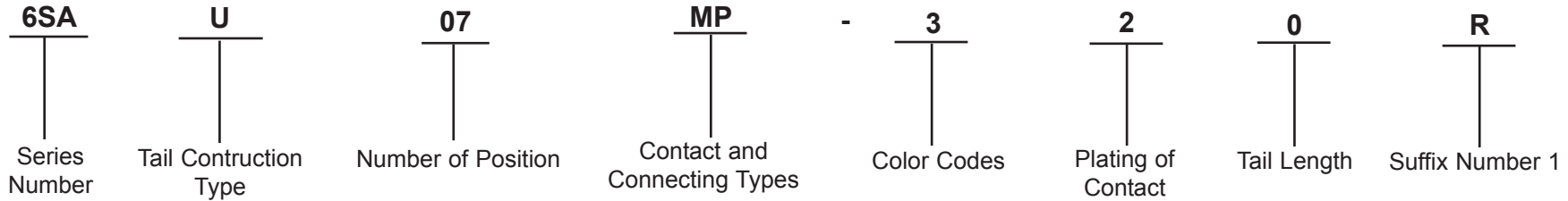
PART NO.

6SAU07MP-320R

REVISIONS

ECN #	REV	DESCRIPTION	DRAWN	DATE	CHECKD	DATE	APPRVD	DATE
-	A	RELEASED	Amudha	14/4/08	Suresh	14/4/08	G. C	28/4/08

Part Number Explanation:



- Series Number** : 6SA = Serial ata connector.
- Tail Construction Type** : U = R/A SMT type.
- Number of Position** : 07 = 7 Positions.
- Contact and Connecting Types** : MP = Plug, metal shell type.
- Color Codes** : 3 = Black.
- Plating of Contact** : 2 = 15µ" gold over nickel.
- Tail Length** : 0 = SMT Type.
- Suffix Number 1** : B = Reverse SMT type, without logo.

Part Number Table

Description	Part Number
E-SATA PLUG R/A SMT REVERSE	6SAU07MP-320R

<http://www.farnell.com>
<http://www.newark.com>
<http://www.cpc.co.uk>

This data sheet and its contents (the "Information") belong to the Premier Farnell Group (the "Group") or are licensed to it. No licence is granted for the use of it other than for information purposes in connection with the products to which it relates. No licence of any intellectual property rights is granted. The Information is subject to change without notice and replaces all data sheets previously supplied. The Information supplied is believed to be accurate but the Group assumes no responsibility for its accuracy or completeness, any error in or omission from it or for any use made of it. Users of this data sheet should check for themselves the Information and the suitability of the products for their purpose and not make any assumptions based on information included or omitted. Liability for loss or damage resulting from any reliance on the Information or use of it (including liability resulting from negligence or where the Group was aware of the possibility of such loss or damage arising) is excluded. This will not operate to limit or restrict the Group's liability for death or personal injury resulting from its negligence. SPC MULTICOMP is the registered trademark of the Group. © Premier Farnell plc 2008.

TOLERANCES:
UNLESS OTHERWISE SPECIFIED, DIMENSIONS ARE FOR REFERENCE PURPOSES ONLY.

DRAWN BY:	DATE:
Amudha	14/04/08
CHECKED BY:	DATE:
Suresh	14/04/08
APPROVED BY:	DATE:
G.Cook	28/04/08

DRAWING TITLE:			
E-SATA PLUG - R/A SMT REVERSE			
SIZE	DWG NO.	ELECTRONIC FILE	REV
A	M10000858	1428282_DWG	A
SCALE: NTS		U.O.M.: mm	SHEET: 3 OF 3