

PRINTING

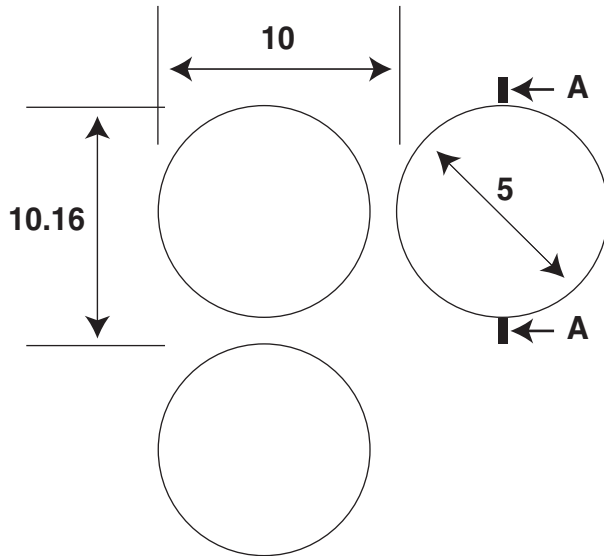


Line No.	Part Description	171 number	Farnell order code	Size (Diam.)	Print Info	Roll
46	LBC-FAR-10468-46-5-1R	6-1768830-3	1341144	5	1	Roll
47	LBC-FAR-10468-47-5-2R	6-1768830-4	1341146	5	2	Roll
48	LBC-FAR-10468-48-5-3R	6-1768830-5	1341147	5	3	Roll
49	LBC-FAR-10468-49-5-4R	6-1768830-6	1341148	5	4	Roll
50	LBC-FAR-10468-50-5-5R	6-1768830-7	1341149	5	5	Roll
ADDED	LBC-FAR-10468-50-5-6R	6-1768830-8	1341150	5	6	Roll
ADDED	LBC-FAR-10468-50-5-7R	6-1768830-9	1341151	5	7	Roll
ADDED	LBC-FAR-10468-50-5-8R	7-1768830-0	1341152	5	8	Roll
ADDED	LBC-FAR-10468-50-5-9R	7-1768830-1	1341153	5	9	Roll
51	LBC-FAR-10468-51-5-10R	7-1768830-2	1341154	5	10	Roll
ADDED	LBC-FAR-10468-51-5-15R	7-1768830-3	1341155	5	15	Roll
52	LBC-FAR-10468-52-5-20R	7-1768830-4	1341156	5	20	Roll
53	LBC-FAR-10468-53-5-25R	7-1768830-5	1341158	5	25	Roll
54	LBC-FAR-10468-54-5-50R	7-1768830-6	1341159	5	50	Roll

Composite Spec

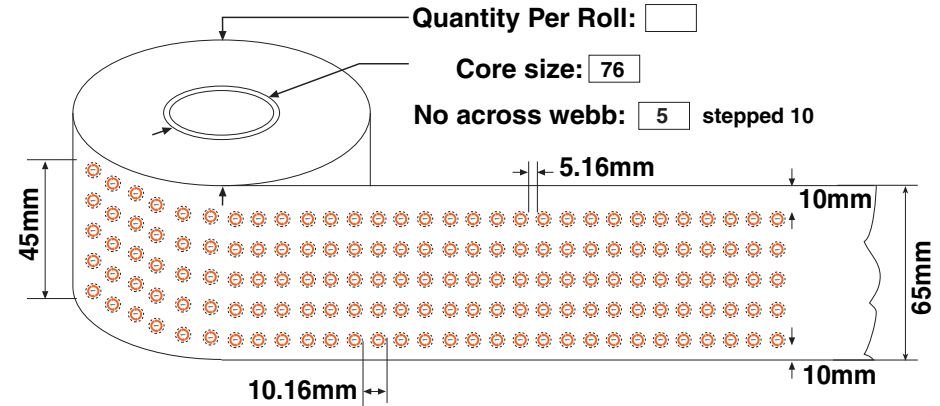
5mm Diam 2 Col Roll	1
5mm Diam 2 Col Roll	2
5mm Diam 2 Col Roll	3
5mm Diam 2 Col Roll	4
5mm Diam 2 Col Roll	5
5mm Diam 2 Col Roll	6
5mm Diam 2 Col Roll	7
5mm Diam 2 Col Roll	8
5mm Diam 2 Col Roll	9
5mm Diam 2 Col Roll	10
5mm Diam 2 Col Roll	15
5mm Diam 2 Col Roll	20
5mm Diam 2 Col Roll	25
5mm Diam 2 Col Roll	50

CUTTING



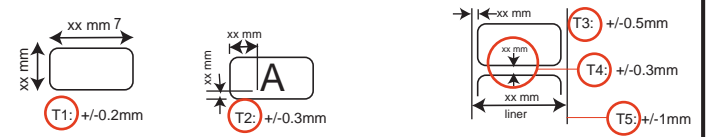
CUT TO LINER

PRESENTATION



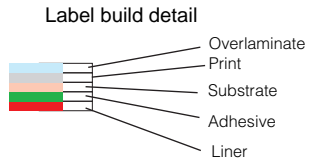
LABEL SPECIFICATION

These are our standard tolerances unless specified by customers drawing



Process	Flexographic
Material	SAP code APRFPC/120
Print Colours	Orange and Grey
Nom. Thickness	80 micron
Overlaminated Y/N	NO
Texture	Semi-Gloss
Wound	Outside Wound
Cutter Size	5dia
Rads	none
Background Colour	White
Adhesive Type	Permanent
Unit of Issue	5000 Labels per roll
Core Size	76
Other	

FONTS
IMPACT 5.5PT



All dimensions in mm

tyco Electronics Tel: 01495 273519 Fax: 01495 272979	TITLE LBC-FAR-10468	REV 01	DRAWN BY RBP 23/02/07	DRAWING No. CON647
	MODIFICATION		DATE	PLAN No. 07/073 07/074 cutter
	APPROVED BY		DATE	FOLDER FARNELL FEB 07