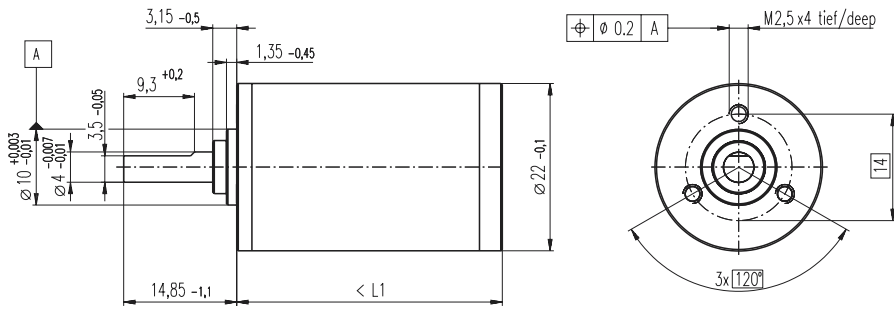


Planetary Gearhead GP 22 A Ø22 mm, 0.5 - 1.0 Nm

Metalversion



Technical Data

Planetary Gearhead	straight teeth
Output shaft	stainless steel, hardened
Bearing at output	ball bearings*
Radial play, 10 mm from flange	max. 0.2 mm
Axial play	max. 0.2 mm
Max. perm. radial load, 10 mm from flange	70 N
Max. permissible axial load	100 N
Max. permissible force for press fits	100 N
Recommended input speed	< 6000 rpm
Recommended temperature range	-15 / +80°C

*Sleeve bearings on request

- Stock program
- Standard program
- Special program (on request!)

Order Number

	134156	134158	134163	134168	134172	110340	134183	134186	134190	134195	134203
Gearhead Data											
1 Reduction	3.8 : 1	14 : 1	53 : 1	104 : 1	198 : 1	370 : 1	590 : 1	742 : 1	1386 : 1	1996 : 1	3189 : 1
2 Reduction absolute	15/4	225/16	3375/64	87723/845	50625/256	10556001/28561	59049/100	759375/1024	158340015/114244	285012027/142805	1594323/500
Order Number	110337	134159	134164	134169	134173	134178	134184	134187	134193	134198	134204
1 Reduction	4.4 : 1	16 : 1	62 : 1	109 : 1	231 : 1	389 : 1	690 : 1	867 : 1	1460 : 1	2102 : 1	3728 : 1
2 Reduction absolute	57/13	855/52	12825/208	2187/20	192375/832	263169/676	1121931/1625	2885625/3328	3947535/2704	7105563/3380	30292137/8125
Order Number	134157	110338	134165	134170	134174	134180	134185	134188	134196	134200	134205
1 Reduction	5.4 : 1	19 : 1	72 : 1	128 : 1	270 : 1	410 : 1	850 : 1	1014 : 1	1538 : 1	2214 : 1	4592 : 1
2 Reduction absolute	27/5	3249/169	48735/676	41553/325	731025/2704	6561/16	531441/625	10965375/10816	98415/64	177147/80	14348907/3125
Order Number		134160	134166	134171	134176	134179		134191	110341	134199	
1 Reduction		20 : 1	76 : 1	157 : 1	285 : 1	455 : 1		1068 : 1	1621 : 1	2458 : 1	
2 Reduction absolute		81/4	1215/16	19683/125	18225/64	5000211/10985		273375/256	601662057/371293	135005697/54925	
Order Number		134161	110339		134175	134181		134189	134194	134201	
1 Reduction		24 : 1	84 : 1		316 : 1	479 : 1		1185 : 1	1707 : 1	2589 : 1	
2 Reduction absolute		1539/65	185193/2197		2777895/8788	124659/260		41668425/35152	15000633/8788	3365793/1300	
Order Number		134162	134167		134177	134182		134192	134197	134202	
1 Reduction		29 : 1	89 : 1		333 : 1	561 : 1		1249 : 1	1798 : 1	3027 : 1	
2 Reduction absolute		729/25	4617/52		69255/208	2368521/4225		1038825/832	373977/208	63950067/21125	
3 Number of stages		1	2	3	3	4	4	4	5	5	5
4 Max. continuous torque at gear output	Nm	0.5	0.5	0.8	0.8	1.0	1.0	1.0	1.0	1.0	1.0
5 Intermittently permissible torque at gear output	Nm	0.8	0.8	1.2	1.2	1.6	1.6	1.6	1.6	1.6	1.6
6 Sense of rotation, drive to output		=	=	=	=	=	=	=	=	=	=
7 Max. efficiency	%	84	70	59	59	49	49	49	42	42	42
8 Weight	g	42	55	68	68	81	81	81	94	94	94
9 Average backlash no load	°	0.5	0.6	0.8	0.8	1.0	1.0	1.0	1.0	1.0	1.0
10 Mass inertia	gcm ²	0.5	0.4	0.4	0.4	0.4	0.4	0.4	0.4	0.4	0.4
11 Gearhead length L1*	mm	25.4	32.2	39.0	39.0	45.8	45.8	45.8	52.6	52.6	52.6

* for A-max 19 and A-max 22 is L1 - 2.8 mm



Combination:

+ Motor	Page	+ Tacho / Brake	Page	Overall length [mm]										
S 2322, 6 W	81 / 82			73.4	80.2	87.0	87.0	93.8	93.8	93.8	100.6	100.6	100.6	100.6
S 2322, 6 W	82	Digital Encoder 22	203	87.4	94.2	101.0	101.0	107.8	107.8	107.8	114.6	114.6	114.6	114.6
S 2322, 6 W	82	Digital Encoder HED_ 55_	205/207	94.2	101.0	107.8	107.8	114.6	114.6	114.6	121.4	121.4	121.4	121.4
A-max 19	105/106			51.5	58.3	65.1	65.1	71.9	71.9	71.9	78.7	78.7	78.7	78.7
A-max 19	105	MR Encoder	199/200	55.7	62.5	69.3	69.3	76.1	76.1	76.1	82.9	82.9	82.9	82.9
A-max 19	105	Digital Magnetic Encoder 13	212	59.0	65.8	72.6	72.6	79.4	79.4	79.4	86.2	86.2	86.2	86.2
A-max 19	106	Digital Encoder 22	204	66.0	72.8	79.6	79.6	86.4	86.4	86.4	93.2	93.2	93.2	93.2
A-max 19	107/108			54.4	61.2	68.0	68.0	74.8	74.8	74.8	81.6	81.6	81.6	81.6
A-max 19	107	MR Encoder	199/200	58.6	65.4	72.2	72.2	79.0	79.0	79.0	85.8	85.8	85.8	85.8
A-max 19	107	Digital Magnetic Encoder 13	212	61.9	68.7	75.5	75.5	82.3	82.3	82.3	89.1	89.1	89.1	89.1
A-max 19	108	Digital Encoder 22	204	68.9	75.7	82.5	82.5	89.3	89.3	89.3	96.1	96.1	96.1	96.1
A-max 22	109-112			54.5	61.3	68.1	68.1	74.9	74.9	74.9	81.7	81.7	81.7	81.7
A-max 22	109/111	MR Encoder	199/200	58.6	65.4	72.2	72.2	79.0	79.0	79.0	85.8	85.8	85.8	85.8
A-max 22	109/111	Digital Magnetic Encoder 13	212	61.6	68.4	75.2	75.2	82.0	82.0	82.0	88.8	88.8	88.8	88.8
A-max 22	110/112	Digital Encoder 22	204	69.0	75.8	82.6	82.6	89.4	89.4	89.4	96.2	96.2	96.2	96.2
RE-max 21	133/134			51.5	58.3	65.1	65.1	71.9	71.9	71.9	78.7	78.7	78.7	78.7
RE-max 21	133	MR Encoder	199/200	55.7	62.5	69.3	69.3	76.1	76.1	76.1	82.9	82.9	82.9	82.9
RE-max 21	135/136			54.4	61.2	68.0	68.0	74.8	74.8	74.8	81.6	81.6	81.6	81.6
RE-max 21	135	MR Encoder	199/200	58.6	65.4	72.2	72.2	79.0	79.0	79.0	85.8	85.8	85.8	85.8