

# Terminal Block Standard Vertical Low Profile 20.501M/xx



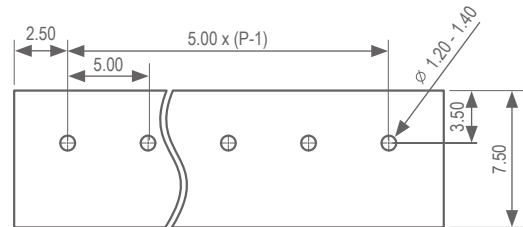
## Key Features

- 300V 16A
- UL94-V0
- PA66
- 5.00mm Pin Pitch
- RoHS Compliant
- xx = Number of Poles (available from 2~24 poles)

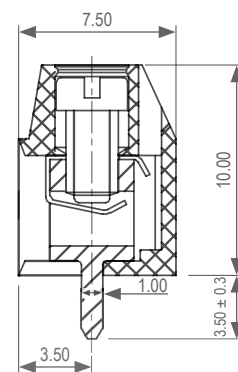
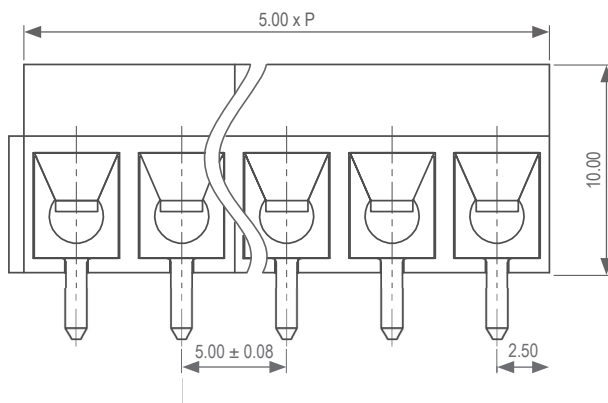


## Technical Data

Pitch	5.00mm
UL Rating	300V 16A
IEC Rating	250V 16A
Solder Pin	Copper Alloy, Tin Plated
Wire Range	20~14AWG (2.5mm <sup>2</sup> )
PCB Hole Diameter	1.2mm-1.4mm
Stripping Length	6.4mm
Screw	M2.5 Steel (Zinc Plated)
Screw Type	Combi Head
Screw Torque	0.4Nm
Insulation Voltage	AC2000 / 1 Min
Initial Contact Resistance	20mΩ
Insulation Resistance	500MΩ / DC500V
Temperature Range	-40 to +105°C
Max Soldering	+260°C for 5 seconds (Single Wave) +260°C for 10 seconds (Double Wave)



PCB Layout



Dimensions shown in mm P = No of Poles

Supplied in bla as standard

Other colour options and printing may be available depending upon quantity

Please contact IMO for further information