



# MP2615C

## 2.1A, 1-Cell or 2-Cell Li-Ion Battery Charger in (3mmx3mm) Package

### DESCRIPTION

The MP2615C is a high-efficiency, switch-mode battery charger suitable for single-cell or dual-cell Li-ion or Li-polymer applications. The device is capable of delivering 2.1A of charge current, which can be configured via an accurate current-sense resistor across the entire input range.

The MP2615C regulates the charge current and full battery voltage using two control loops to achieve high-accuracy constant current (CC) charge and constant voltage (CV) charge.

Constant-off-time (COT) control allows the device to operate up to 99% duty cycle when the battery voltage is close to the input voltage. This maintains a relatively high charging current.

The battery temperature and charging statuses are always monitored during each charging cycle. Two status monitor output pins are provided to indicate the battery charging status and input power status. The MP2615C also features internal reverse blocking protection.

The MP2615C is available in a QFN-16 (3mmx3mm) package.

### FEATURES

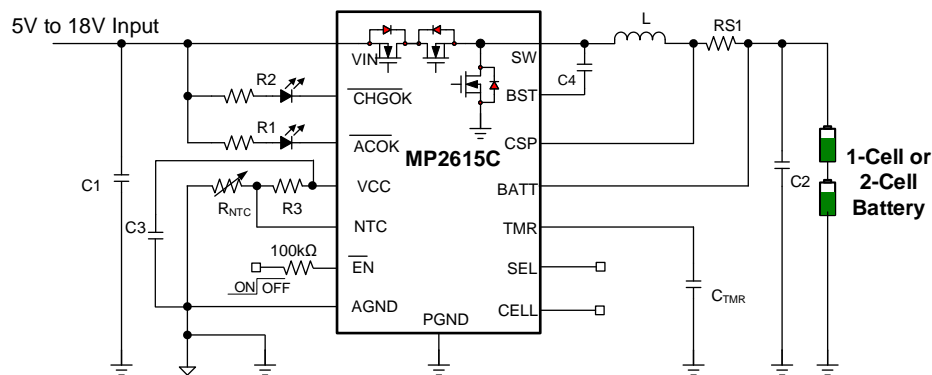
- 4.75V to 18V Operating Input Voltage
- Up to 99% Duty Cycle Operation
- Up to 2.1A Configurable Charging Current
- $\pm 0.75\%$  Full Battery Voltage Accuracy
- 4.1V/Cell and 4.2V/Cell Selection for Full Battery Voltage
- Fully Integrated Power Switches
- Internal Loop Compensation
- No External Reverse Blocking Diode Required
- Preconditioning for Fully Depleted Battery
- Charging Operation Indicator
- Configurable Safety Timer
- Thermal Shutdown Protection
- Cycle-by-Cycle Over-Current Protection
- Battery Temperature Monitoring and Protection
- Available in a QFN-16 (3mmx3mm) Package

### APPLICATIONS

- Smartphones
- Portable Handheld Solutions
- Portable Media Players

All MPS parts are lead-free, halogen-free, and adhere to the RoHS directive. For MPS green status, please visit the MPS website under Quality Assurance. "MPS", the MPS logo, and "Simple, Easy Solutions" are trademarks of Monolithic Power Systems, Inc. or its subsidiaries.

### TYPICAL APPLICATION



### ORDERING INFORMATION

Part Number*	Package	Top Marking	MSL Rating
MP2615CGQ	QFN-16 (3mmx3mm)	See Below	1

\* For Tape & Reel, add suffix -Z (e.g. MP2615CGQ-Z).

### TOP MARKING

**BMR**  
**Y**

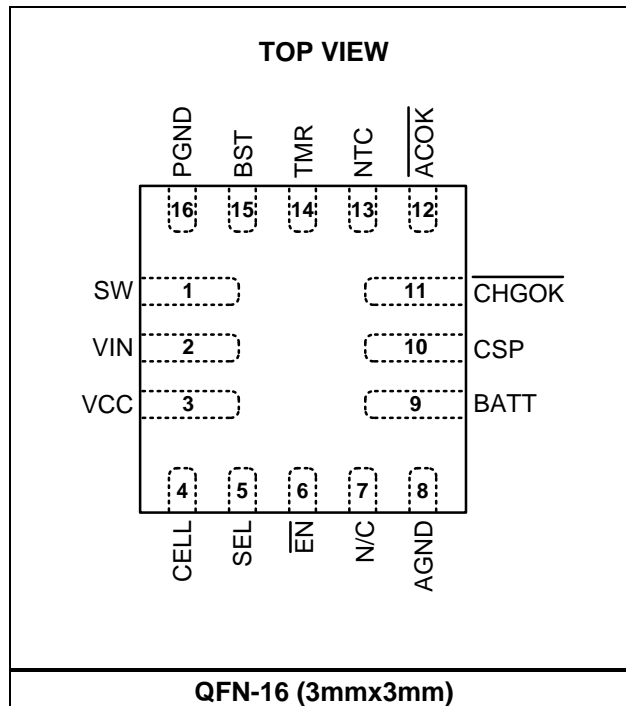
**LLLL**

BMR: Product code of MP2615CGQ

Y: Year code

LLLL: Lot number

### PACKAGE REFERENCE



**PIN FUNCTIONS**

Pin #	Name	Description
1	SW	<b>Switch output.</b>
2	VIN	<b>Power supply voltage.</b>
3	VCC	<b>Coarse regulator output.</b> Internally generated 4.5V. Bypass VCC with a 1 $\mu$ F capacitor to AGND. VCC can be used as a low-side switch driver and a pull-up bias voltage NTC resistor divider. Do not connect any external load to VCC.
4	CELL	<b>Command input for the number of Li-ion cells.</b> Connect this pin to VCC for single-cell applications. Float the CELL pin or short it to AGND for dual-cell applications.
5	SEL	<b>Input pin for setting terminal battery voltage.</b> If SEL is pulled low or floating, V <sub>BATT</sub> is 4.2V/cell. If SEL is pulled high, V <sub>BATT</sub> is 4.1V/cell.
6	$\overline{\text{EN}}$	<b>On/off control input.</b> This pin is pulled to GND with a 1M $\Omega$ internal resistor. It is recommended to connect a 100k $\Omega$ resistor in series with the EN pin.
7	N/C	<b>No connection.</b> Leave this pin floating.
8	AGND	<b>Analog ground.</b>
9	BATT	<b>Positive battery terminal.</b>
10	CSP	<b>Battery current-sense positive input.</b> Connect a resistor (RS1) between CSP and BATT.
11	$\overline{\text{CHGOK}}$	<b>Charging completion indicator.</b> When this pin goes logic low, the device is charging. The pin becomes an open drain once the charge is completed or suspended.
12	$\overline{\text{ACOK}}$	<b>Valid input supply indicator.</b> A logic low on this pin indicates the presence of a valid input power supply.
13	NTC	<b>Thermistor input.</b> Connect a resistor from this pin to the VCC pin. Connect the thermistor from this pin to ground.
14	TMR	<b>Internal safety timer control.</b> Connect a capacitor from this node to AGND to set the timer. Disable the timer by connecting this pin directly to AGND.
15	BST	<b>Bootstrap pin.</b> Use a capacitor to drive the power switch's gate above the supply voltage. The capacitor should be connected between the SW and BST pins to form a floating supply across the power switch driver.
16	PGND	<b>Power ground.</b>

**ABSOLUTE MAXIMUM RATINGS** <sup>(1)</sup>

$V_{SW}$ .....	-0.3V to +23V
$V_{IN}$ , $V_{ACOK}$ , $V_{CHGOK}$ .....	-0.3V to +23V
$V_{BATT}$ , $V_{CSP}$ .....	-0.3V to +12V
$V_{BST}$ .....	$V_{SW} + 6V$
All other pins.....	-0.3V to +6V
Junction temperature.....	150°C
Lead temperature.....	260°C
Continuous power dissipation ( $T_A = 25^\circ C$ ) <sup>(2)</sup>	..... 2.5W
Operating temperature.....	-40°C to +85°C

**ESD Ratings**

Charged device model (CDM).....1250V

**Recommended Operating Conditions** <sup>(3)</sup>

$V_{IN}$ .....	4.75V to 18V
$V_{BATT}$ .....	2V to 8.4V
Operating junction temp ( $T_J$ ).....	-40°C to +85°C

<b>Thermal Resistance</b> <sup>(4)</sup>	$\theta_{JA}$	$\theta_{JC}$
QFN-16 (3mmx3mm).....	50.....	12... °C/W

**Notes:**

- 1) Exceeding these ratings may damage the device.
- 2) The maximum allowable power dissipation is a function of the maximum junction temperature,  $T_J$  (MAX), the junction-to-ambient thermal resistance,  $\theta_{JA}$ , and the ambient temperature,  $T_A$ . The maximum allowable continuous power dissipation at any ambient temperature is calculated by  $P_D$  (MAX) =  $(T_J$  (MAX) -  $T_A$ ) /  $\theta_{JA}$ . Exceeding the maximum allowable power dissipation can cause excessive die temperature, and the regulator may go into thermal shutdown. Internal thermal shutdown circuitry protects the device from permanent damage.
- 3) The device is not guaranteed to function outside of its operating conditions.
- 4) Measured on JESD51-7, 4-layer PCB.

## ELECTRICAL CHARACTERISTICS

$V_{IN} = 12V$ ,  $V_{CELL} = 0V$ ,  $V_{SEL} = 0V$ ,  $C1 = 22\mu F$ ,  $C2 = 22\mu F$ ,  $T_A = 25^\circ C$ , unless otherwise noted.

Parameter	Symbol	Condition	Min	Typ	Max	Units	
<b>Input Voltage and Current</b>							
Input voltage	$V_{IN}$	$V_{CELL} = 4V$	4.5	5	18	V	
		$V_{CELL} = 0V$	8.75	12	18		
Under-voltage lockout rising threshold	$V_{UVLO}$		3.55	3.75	3.95	V	
Under-voltage lockout threshold hysteresis				225		mV	
Supply current	$I_{SHDN}$	$\overline{EN} = 4V$ , shutdown current		0.27		mA	
	$I_Q$	$\overline{EN} = 0V$ , quiescent current		1.1			
<b>Power MOSFET</b>							
High-side switch on resistance	$R_{H\_DS(ON)}$	Measured from $V_{IN}$ to SW		110		m $\Omega$	
Low-side switch on resistance	$R_{L\_DS(ON)}$			110		m $\Omega$	
Switch leakage		$\overline{EN} = 4V$ , $V_{SW} = 0V$		0	1	$\mu A$	
<b>Frequency and Time Parameter</b>							
Switching frequency	$f_{SW}$	$V_{BATT} = 7.5V$		760		kHz	
Foldback frequency		$V_{BATT} = 0V$		160		kHz	
Minimum off time <sup>(5)</sup>	$t_{OFF}$	$V_{BATT} = 9V$		200		ns	
<b>Charging Parameter</b>							
Terminal battery voltage	$V_{BATT\_FULL}$	$V_{SEL} = 0V$	4.168	4.2	4.231	V/cell	
		$V_{SEL} = 4V$	4.069	4.1	4.131		
Battery over-voltage threshold	$V_{BOVP}$	$V_{CELL} = 0V$ , $V_{SEL} = 0V$	8.34	8.71	9.08		
		$V_{CELL} = 0V$ , $V_{SEL} = 4V$	8.14	8.51	8.88		
		$V_{CELL} = 4V$ , $V_{SEL} = 0V$	4.17	4.36	4.54		
		$V_{CELL} = 4V$ , $V_{SEL} = 4V$	4.07	4.26	4.44		
Recharge threshold at $V_{BATT}$	$V_{RECH}$	$V_{SEL} = 0V$		4.0			
		$V_{SEL} = 4V$		3.9			
Recharge hysteresis				150			mV/cell
Trickle-charge voltage threshold	$V_{TC}$	$V_{SEL} = 0V$		3			V/cell
		$V_{SEL} = 4V$		2.91			
Trickle charge hysteresis				225		mV/Cell	
Peak current limit		Constant current charge	3.2			A	
		Trickle		2.2			
CC current	$I_{CC}$	$RS1 = 25m\Omega$	1.9	2.1	2.3	A	
Trickle charge current	$I_{TC}$		5%	10%	15%	$I_{CC}$	
Termination current threshold	$I_{BF}$		5%	10%	15%	$I_{CC}$	
$V_{IN}$ minimum headroom (reverse blocking)		$V_{IN} - V_{BATT}$		300		mV	

**ELECTRICAL CHARACTERISTICS (continued)**
 $V_{IN} = 12V$ ,  $V_{CELL} = 0V$ ,  $V_{SEL} = 0V$ ,  $C1 = 22\mu F$ ,  $C2 = 22\mu F$ ,  $T_A = 25^\circ C$ , unless otherwise noted.

Parameter	Symbol	Condition	Min	Typ	Max	Units
Maximum current-sense voltage (CSP to BATT)	$V_{SENSE}$		45	50	55	mV
CSP, BATT current	$I_{CSP}, I_{BATT}$	Charging disabled			3	$\mu A$
ACOK/CHGOK open-drain sink current		$V_{DRAIN} = 0.3V$	5			mA
<b>VCC Regulator Output</b>						
VCC output voltage	$V_{CC}$		4.2	4.5	4.75	V
VCC load regulation	$\Delta V_{CC}$	$I_{LOAD} = 0$ to 10mA			10	mV
<b>EN Control</b>						
$\overline{EN}$ input low voltage					0.4	V
$\overline{EN}$ input high voltage			1.8			V
$\overline{EN}$ input current	$I_{EN}$	$\overline{EN} = 4V$		4		$\mu A$
		$\overline{EN} = 0V$		0.2		
<b>Logic</b>						
CELL input low voltage	$V_L$				0.4	V
CELL input high voltage	$V_H$		1.8			V
SEL input low voltage	$V_L$				0.4	V
SEL input high voltage	$V_H$		1.8			V
<b>Timer Protection</b>						
Trickle charge time	$t_{TRICKLE\_TMR}$	$C_{TMR} = 0.47\mu F$		30		min
CC/CV charge time	$t_{TOTAL\_TMR}$	$C_{TMR} = 0.47\mu F$		165		
<b>NTC Protection</b>						
NTC cold temp rising threshold	$V_{COLD}$	$R_{NTC} = NCP18X103, 0^\circ C$	72	73.3	74.6	% of $V_{CC}$
NTC cold temp rising threshold hysteresis					2	
NTC hot temp falling threshold	$V_{HOT}$	$R_{NTC} = NCP18X103, 50^\circ C$	29.5	31.1	32.2	
NTC hot temp falling threshold hysteresis					2	
<b>Thermal Protection</b>						
Thermal shutdown <sup>(5)</sup>	$T_{SHDN}$			150		$^\circ C$
Thermal shutdown hysteresis <sup>(5)</sup>				20		$^\circ C$
<b>Reverse Leakage Blocking</b>						
Battery reverse leakage current	$I_{LEAKAGE}$	$V_{CELL} = 0V$			3	$\mu A$
		$V_{CELL} = 4V$			0.5	$\mu A$

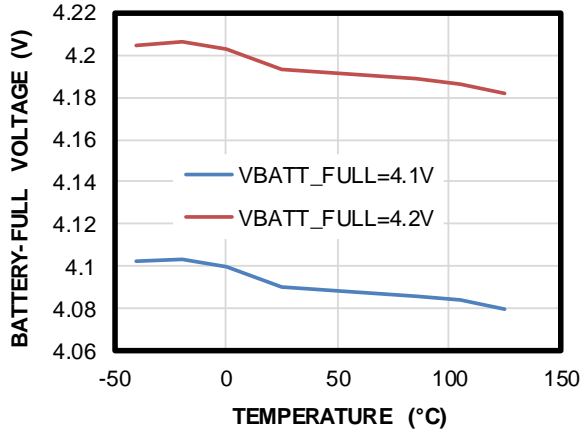
**Notes:**

5) Guaranteed by design.

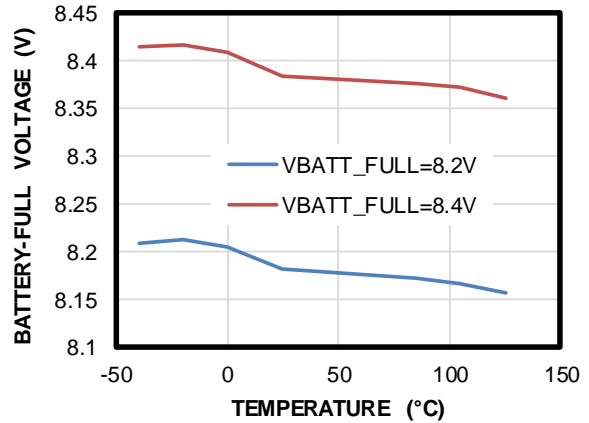
## TYPICAL PERFORMANCE CHARACTERISTICS

$V_{IN} = 12V$ ,  $C1 = C2 = 22\mu F$ , SEL = float/high, CELL = float/high, RS1 = 25m $\Omega$ , unless otherwise noted.

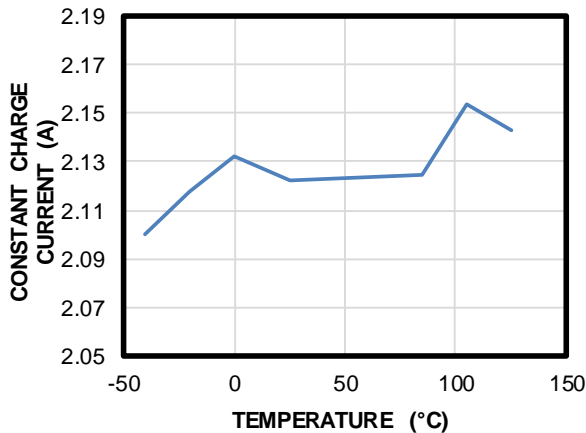
**Battery-Full Voltage vs. Temperature**  
1-cell



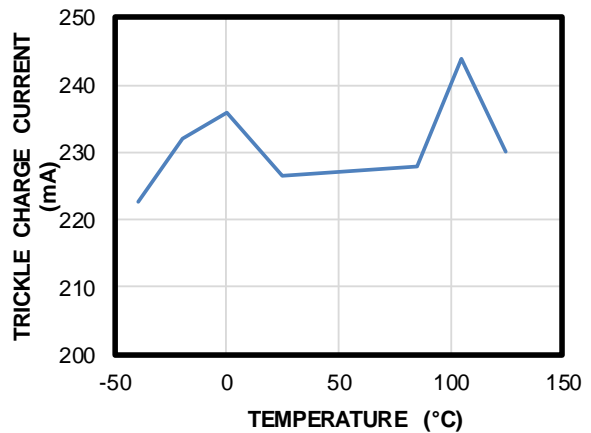
**Battery-Full Voltage vs. Temperature**  
2-cell



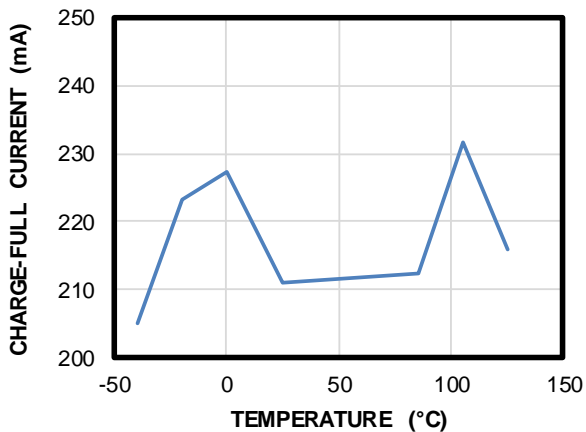
**Constant Charge Current vs. Temperature**  
RS1 = 25m $\Omega$



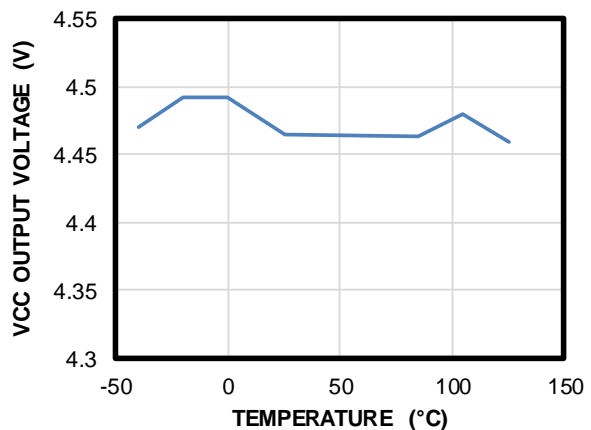
**Trickle Charge Current vs. Temperature**  
RS1 = 25m $\Omega$



**Charge-Full Current vs. Temperature**  
RS1 = 25m $\Omega$



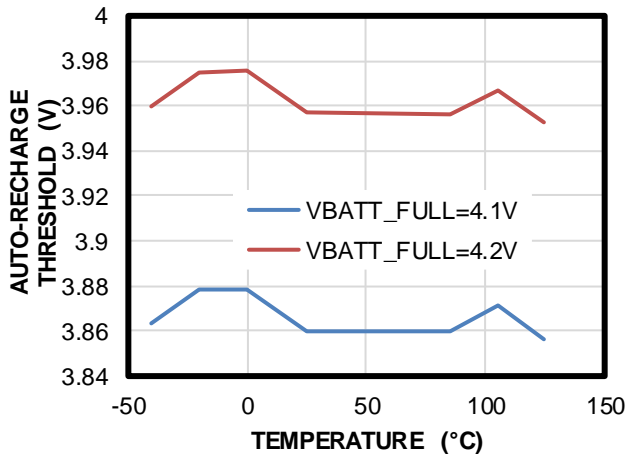
**VCC Output Voltage vs. Temperature**



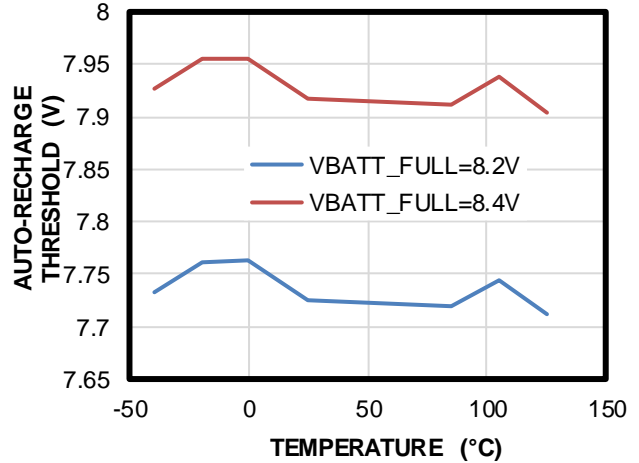
**TYPICAL PERFORMANCE CHARACTERISTICS (continued)**

$V_{IN} = 12V$ ,  $C1 = C2 = 22\mu F$ , SEL = float/high, CELL = float/high, RS1 = 25mΩ, unless otherwise noted.

**Auto-Recharge Threshold Voltage vs. Temperature**  
1-cell



**Auto-Recharge Threshold Voltage vs. Temperature**  
2-cell



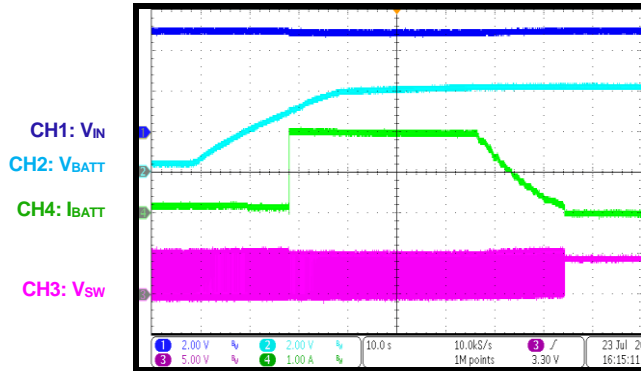


**TYPICAL PERFORMANCE CHARACTERISTICS (continued)**

$V_{IN} = 5V/9V$ ,  $C1 = C2 = 22\mu F$ , SEL = float/high, CELL = float/high, L =  $6.8\mu H$ , RS1 =  $25m\Omega$ , battery simulator,  $T_A = 25^\circ C$ , unless otherwise noted.

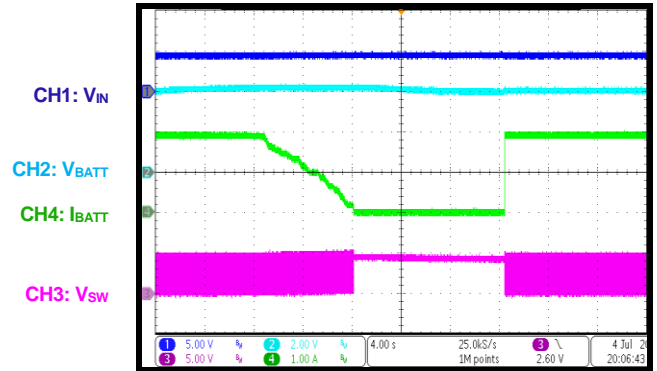
**Battery Charge Curve**

$V_{IN} = 5V$ , 1-cell,  $V_{BATTREG} = 4.2V$



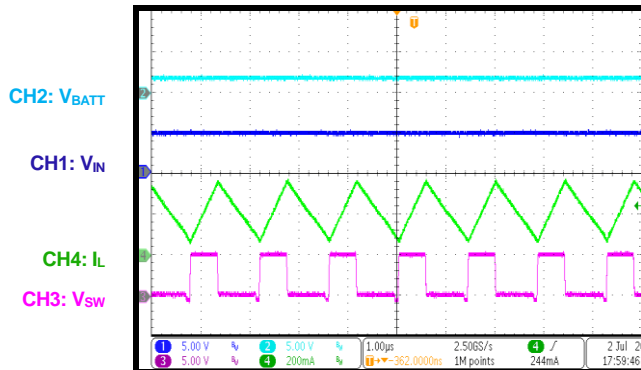
**Auto-Recharge**

$V_{IN} = 5V$ , 1-cell,  $V_{BATTREG} = 4.2V$



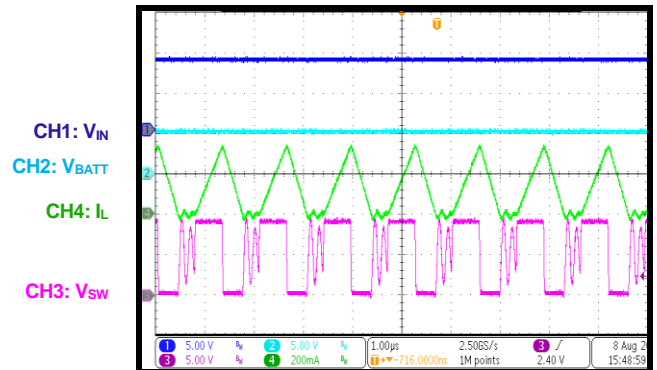
**Trickle Charge Steady State**

$V_{IN} = 5V$ , 1-cell,  $V_{BATT} = 1.9V$



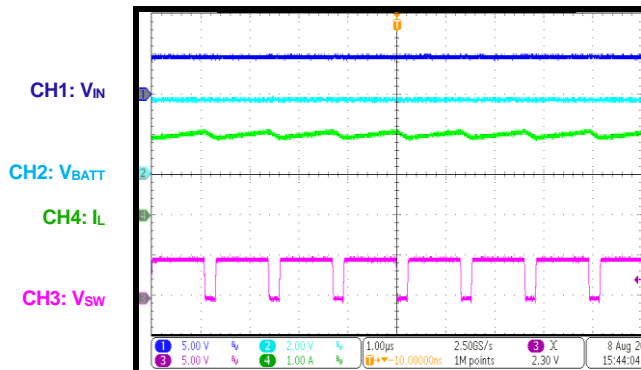
**Trickle Charge Steady State**

$V_{IN} = 9V$ , 2-cell,  $V_{BATT} = 5.2V$



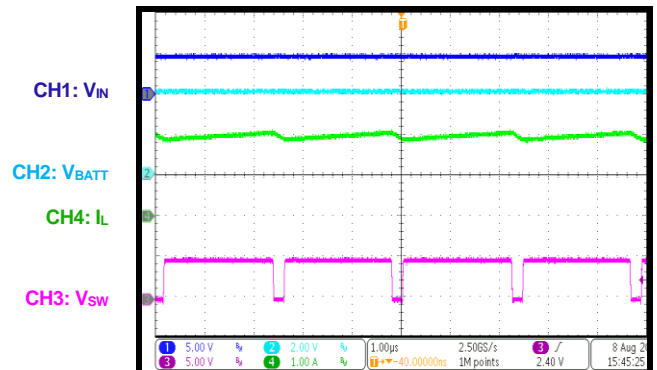
**CC Charge Steady State**

$V_{IN} = 5V$ , 1-cell,  $V_{BATT} = 3.6V$



**CC Charge Steady State (COT)**

$V_{IN} = 5V$ , 1-cell,  $V_{BATT} = 4V$

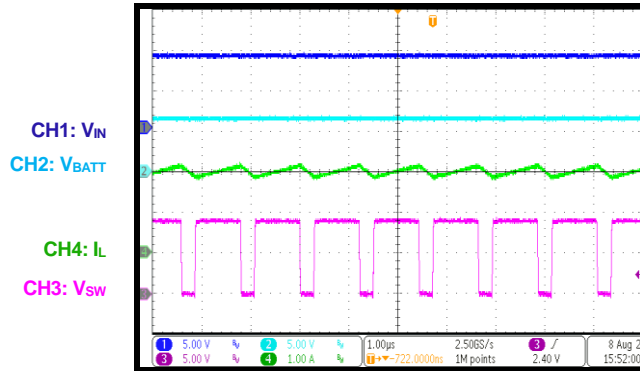


**TYPICAL PERFORMANCE CHARACTERISTICS (continued)**

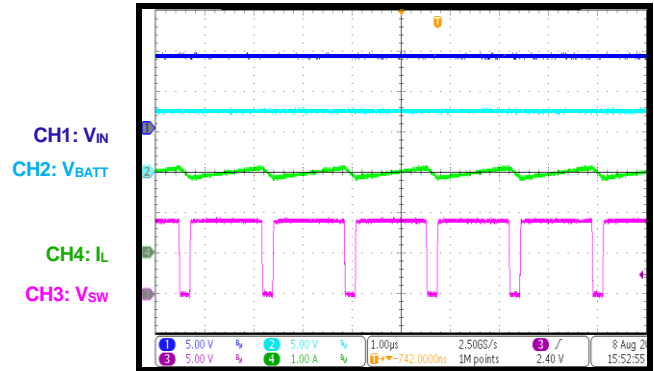
$V_{IN} = 5V/9V$ ,  $C1 = C2 = 22\mu F$ , SEL = float/high, CELL = float/high, L =  $6.8\mu H$ , RS1 =  $25m\Omega$ , battery simulator,  $T_A = 25^\circ C$ , unless otherwise noted.

**CC Charge Steady State**

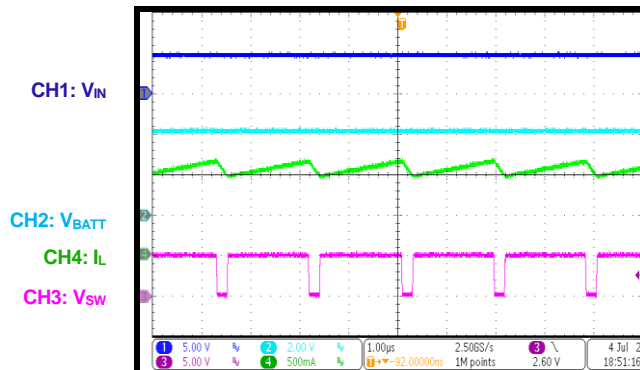
$V_{IN} = 9V$ , 2-cell,  $V_{BATT} = 6.5V$


**CC Charge Steady State (COT)**

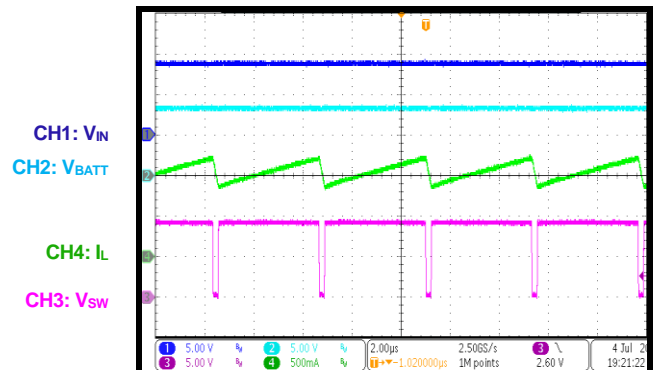
$V_{IN} = 9V$ , 2-cell,  $V_{BATT} = 7.5V$


**CV Charge Steady State**

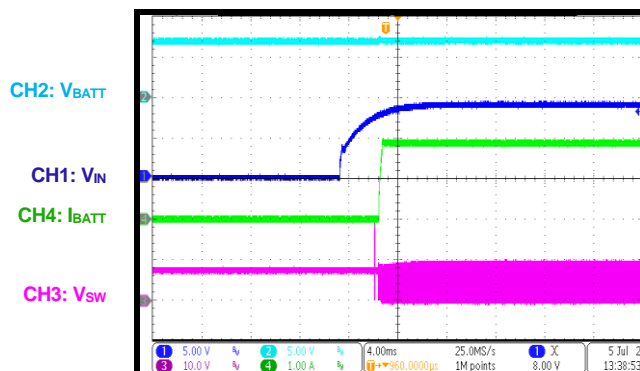
$V_{IN} = 5V$ , 1-cell,  $V_{BATT} = 4.17V$


**CV Charge Steady State**

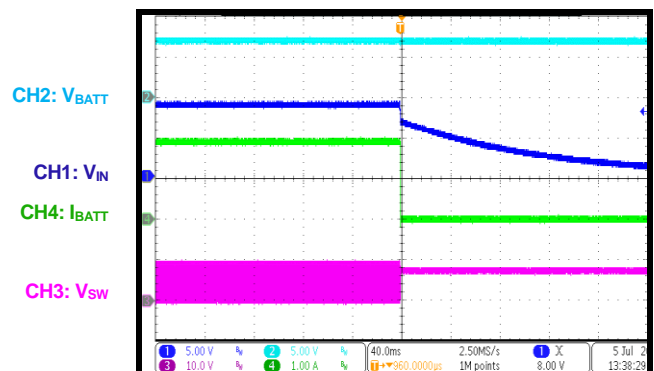
$V_{IN} = 9V$ , 2-cell,  $V_{BATT} = 8.35V$


**Start-Up, CC Charge Mode**

$V_{IN} = 9V$ , 2-cell,  $V_{BATT} = 7V$


**Shutdown, CC Charge Mode**

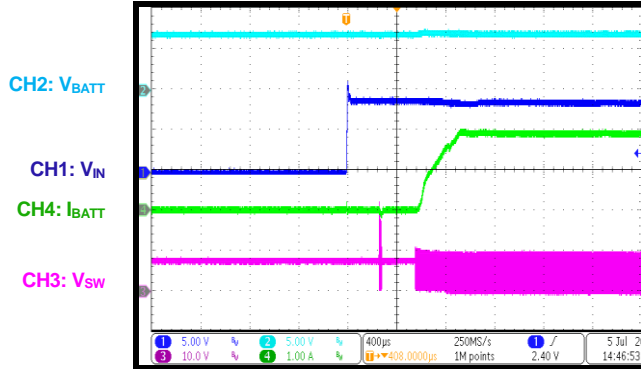
$V_{IN} = 9V$ , 2-cell,  $V_{BATT} = 7V$



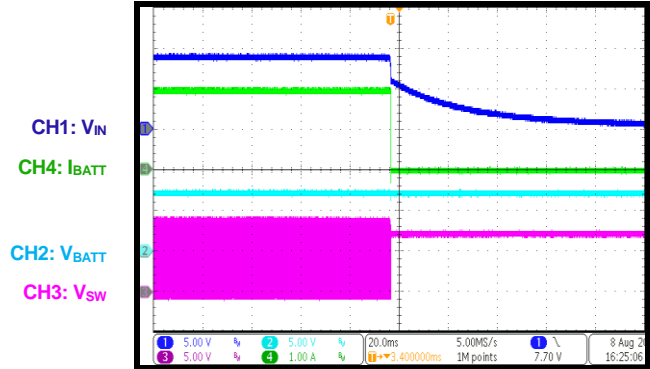
**TYPICAL PERFORMANCE CHARACTERISTICS (continued)**

$V_{IN} = 5V/9V$ ,  $C1 = C2 = 22\mu F$ , SEL = float/high, CELL = float/high, L = 6.8 $\mu H$ , RS1 = 25m $\Omega$ , battery simulator,  $T_A = 25^\circ C$ , unless otherwise noted.

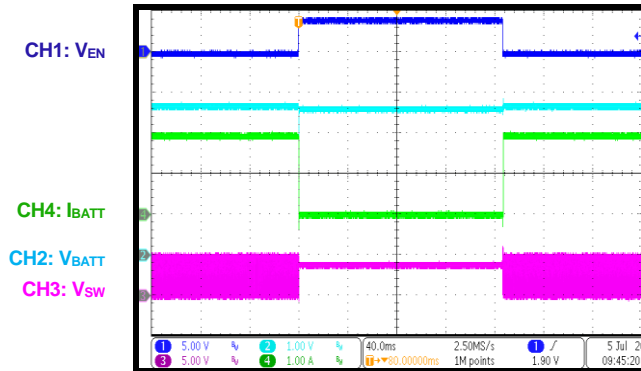
**VIN Hot Insertion, CC Charge Mode**  
 $V_{IN} = 9V$ , 2-cell,  $V_{BATT} = 7V$



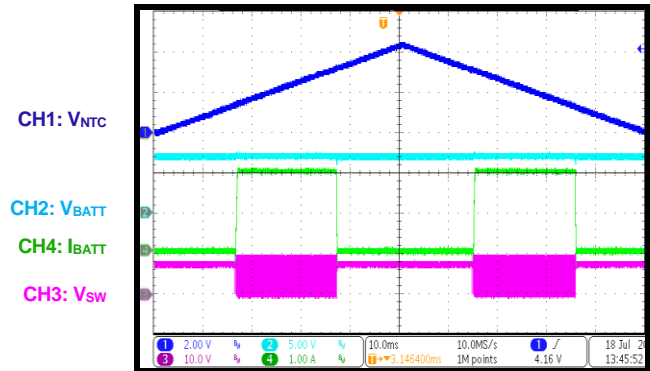
**VIN Removal, CC Charge Mode**  
 $V_{IN} = 9V$ , 2-cell,  $V_{BATT} = 7V$



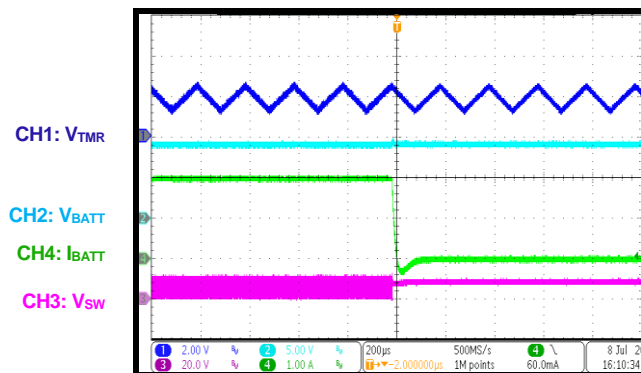
**EN On/Off**  
 $V_{IN} = 5V$ , 1-cell,  $V_{BATT} = 3.6V$



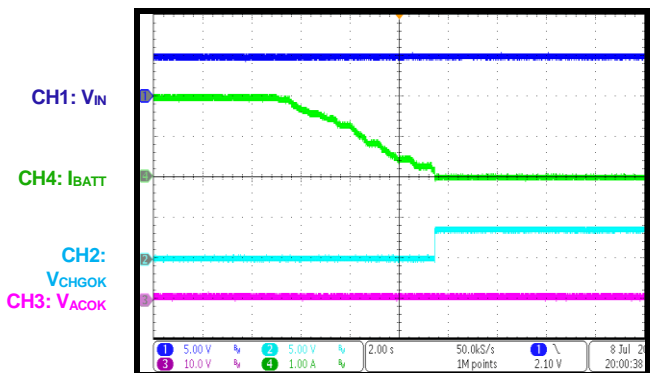
**NTC Fault Control**  
 $V_{IN} = 9V$ , 2-cell,  $V_{BATT} = 7V$

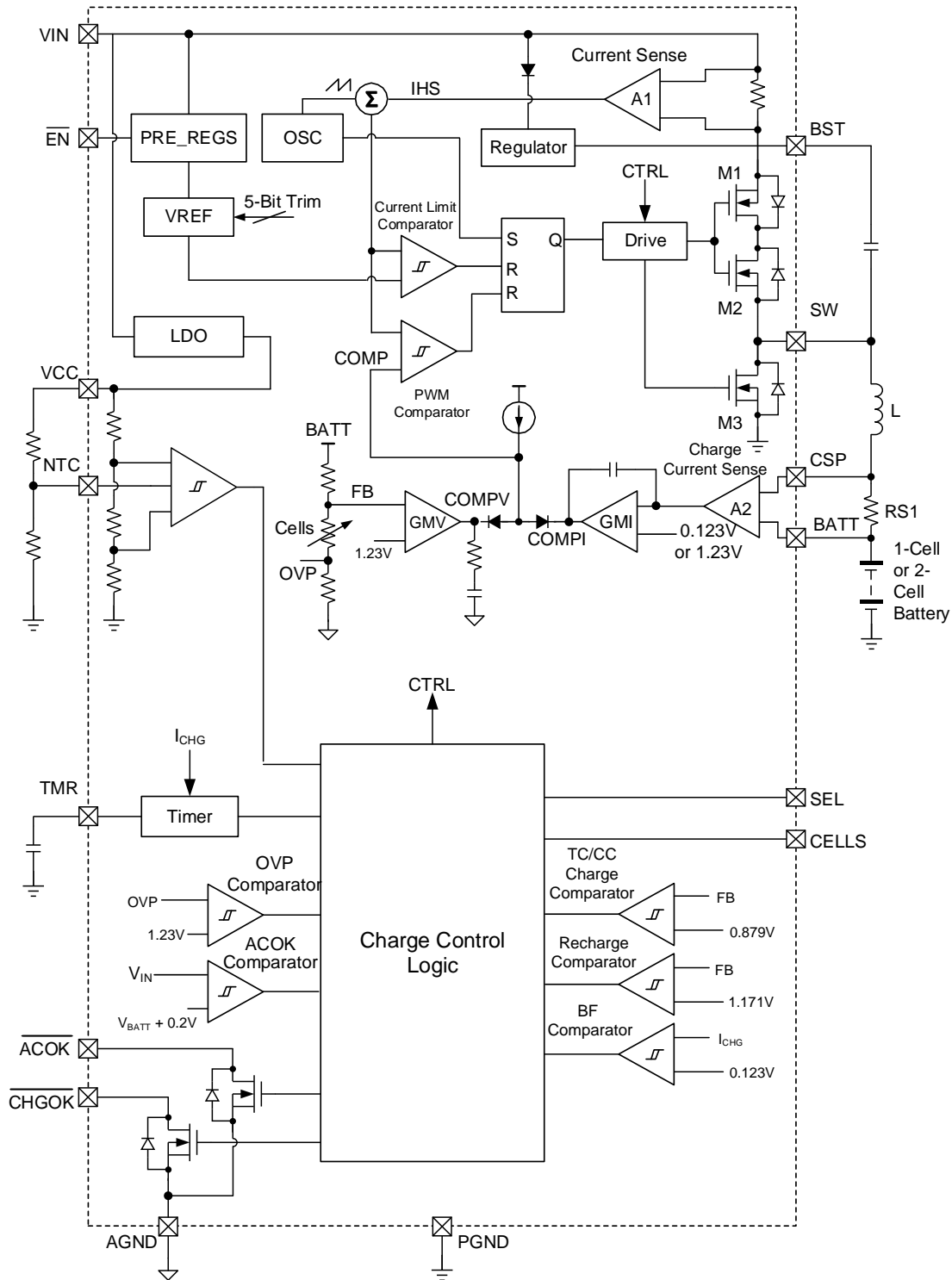


**Timeout**  
 $V_{IN} = 9V$ , 2-cell,  $V_{BATT} = 7V$ ,  $I_{CC} = 2A$ ,  
 $C_{TMR} = 470pF$



**Charge-Full Indication**  
 $V_{IN} = 5V$ , 1-cell,  $V_{BATT} = 3.6V$



**FUNCTIONAL BLOCK DIAGRAM**

**Figure 1: Functional Block Diagram**

## OPERATION

The MP2615C is a peak current mode control switching charger for single-cell or dual-cell Li-ion and Li-polymer batteries. The MP2615C integrates both the high-side and low-side MOSFETs of the synchronous buck converter to provide high efficiency and reduce PCB size.

### Charge Cycle (Mode Change: TC to CC to CV)

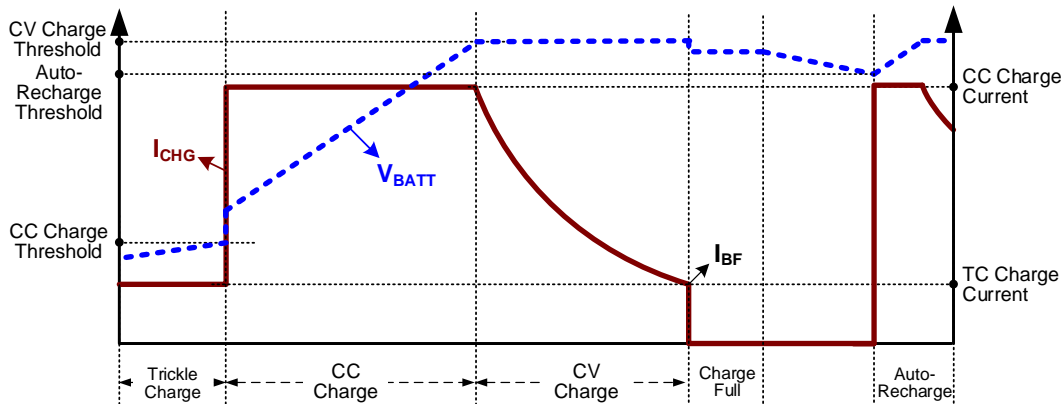
The MP2615C regulates the charge current ( $I_{CHG}$ ) and battery voltage ( $V_{BATT}$ ) using two control loops to achieve highly accurate constant current (CC) charge and constant voltage (CV) charge.

If  $V_{BATT}$  is below  $V_{TC}$ , the MP2615C remains in trickle charge mode, and the output of the charge current loop (COMPI) dominates the control (see Figure 2). The battery is charged by a trickle

charge current ( $I_{TC}$ ) until the battery voltage reaches  $V_{TC}$ . If the charger remains in trickle charge mode until the trickle charge timer is triggered, charging is terminated.

The MP2615C enters CC charge mode once the battery voltage exceeds  $V_{TC}$ . In this mode, the charge current increases from  $I_{TC}$  to  $I_{CC}$  to fast charge the battery.

If the battery voltage exceeds the battery-full voltage ( $V_{BATT\_FULL}$ ), the charger enters CV mode. In CV mode, the battery voltage is regulated at  $V_{BATT\_FULL}$ , and the charge current falls naturally due to the existing equivalent internal resistance of the battery. Figure 4 shows an operation flowchart.



**Figure 2: Li-Ion Battery Charge Profile**

### Charge Full Termination and Auto-Recharge

If the charge current drops below the termination threshold ( $I_{BF}$ ) during the CV charge phase, the charger stops charging and the  $\overline{CHGOK}$  pin becomes an open drain. The timer resets and turns off. Once the battery voltage drops below the recharge threshold ( $V_{RECH}$ ) (4.0V/cell while the SEL pin is connected to AGND), recharging automatically begins and the timer restarts a new charge cycle.

### Constant-Off-Time (COT) Charge Mode

The MP2615C uses the floating ground method to drive the buck converter's high-side MOSFET (HS-FET). While the HS-FET is off, the BST capacitor is recharged, and the voltage across the capacitor is used as the HS-FET's gate driver. Thus a minimum off time of 200ns is required to maintain sufficient voltage at the BST capacitor.

When the 200ns minimum off time is achieved due to a large duty cycle, the MP2615C enters constant-off-time (COT) charge mode. In this mode, the switching frequency is slightly reduced to achieve a 99% duty cycle.

### Charge Status Indication

The MP2615C has two open-drain status outputs: the  $\overline{CHGOK}$  and  $\overline{ACOK}$  pins. The  $\overline{ACOK}$  pin goes low when the input voltage exceeds the battery voltage and the under-voltage lockout (UVLO) threshold by 300mV. The  $\overline{CHGOK}$  pin indicates the status of the charge cycle.

Table 1 lists the operation for both  $\overline{CHGOK}$  and

$\overline{\text{ACOK}}$  according to the charger status.

**Table 1: Charging Status Indication**

$\overline{\text{ACOK}}$	$\overline{\text{CHGOK}}$	Charger Status
Low	Low	Charging
Low	High impedance	<ul style="list-style-type: none"> <li>End of charging</li> <li>NTC fault has occurred</li> <li>Timer ran out</li> <li><math>\overline{\text{EN}}</math> disabled</li> <li>Thermal shutdown</li> </ul>
High impedance	High impedance	<ul style="list-style-type: none"> <li><math>V_{\text{IN}}</math> absent</li> <li><math>V_{\text{IN}} - V_{\text{BATT}} &lt; 0.3\text{V}</math></li> </ul>

### Safety Timer Operation

The MP2615C has an internal safety timer to terminate charging during timeout. The capacitor ( $C_{\text{TMR}}$ ) connected between the TMR pin and GND is used to set the internal oscillator period, calculated with Equation (1):

$$t_p(\text{seconds}) = 0.46 \times C_{\text{TMR}}(\mu\text{F}) \quad (1)$$

This timer limits the maximum trickle charge time to 8192 internal oscillating periods. If the charger remains in trickle charge mode for longer than the maximum oscillating periods, charging is terminated and  $\overline{\text{CHGOK}}$  becomes an open drain to indicate a timeout fault. If the charge cycle successfully completes trickle charge within the allowed time limit, it enters CC charge mode and the timer continues to count the oscillating periods. When the battery is fully charged, the timer turns off and clears the counter, waiting for the auto-recharge to restart.

If the charge time during CC/CV mode exceeds 49152 oscillating periods, and the battery-full condition has not been met, charging is terminated and a timeout fault is indicated by floating the  $\overline{\text{CHGOK}}$  pin. The charger can exit the timeout fault state (and restart the on-chip safety timer) when one of the following conditions occurs:

- The battery voltage falls below the auto-recharge threshold ( $V_{\text{RECH}}$ )
- A power-on reset (POR) event occurs
- The  $\overline{\text{EN}}$  pin is toggled

The timer can be disabled by pulling the TMR pin to AGND.

The trickle mode charge time can be estimated with Equation (2):

$$t_{\text{TRICKLE\_TMR}}(\text{minutes}) = 62.8 \times C_{\text{TMR}}(\mu\text{F}) \quad (2)$$

If  $C_{\text{TMR}}$  is  $0.47\mu\text{F}$ , the trickle charge time is about 30 minutes. The CC/CV mode charge time can be calculated with Equation (3):

$$t_{\text{TOTAL\_TMR}}(\text{hours}) = 6.28 \times C_{\text{TMR}}(\mu\text{F}) \quad (3)$$

In this case, if  $C_{\text{TMR}}$  is  $0.47\mu\text{F}$ , the CC/CV charge time is 2.95 hours.

### Negative Thermal Coefficient (NTC) Thermistor

The NTC pin allows the MP2615C to sense the battery temperature using the negative thermal coefficient (NTC) resistor in the battery pack. This ensures a safe operating environment for the battery. A resistor with an appropriate value should be connected from the VCC pin to the NTC pin, and the thermistor should be connected from the NTC pin to AGND. The voltage on the NTC pin is determined by the resistor divider, which has a divide ratio that depends on the battery temperature. When the voltage at the NTC pin falls out of the NTC window range, charging pauses until the battery temperature returns to within the normal operating range.

As a result, the MP2615C stops charging and reports this condition to the status pins. Charging automatically resumes after the temperature returns to within a safe range.

### Short-Circuit Protection

The MP2615C has an internal comparator to check for battery short-circuit conditions. If  $V_{\text{BATT}}$  falls below 2V, the device detects a battery short status, and the cycle-by-cycle peak current limit falls to about 2.2A to limit the current spike during the battery short transition. The switching frequency also folds back to minimize the power loss.

### Thermal Shutdown Protection

To prevent the chip from overheating while it charges, the MP2615C monitors the junction temperature ( $T_J$ ) of the die. If  $T_J$  reaches the thermal shutdown threshold ( $T_{\text{SHUTDOWN}}$ ) of  $150^\circ\text{C}$ , the charger converter turns off. Once  $T_J$  falls below  $130^\circ\text{C}$ , charging resumes.

### INPUT POWER START-UP TIMING FLOW

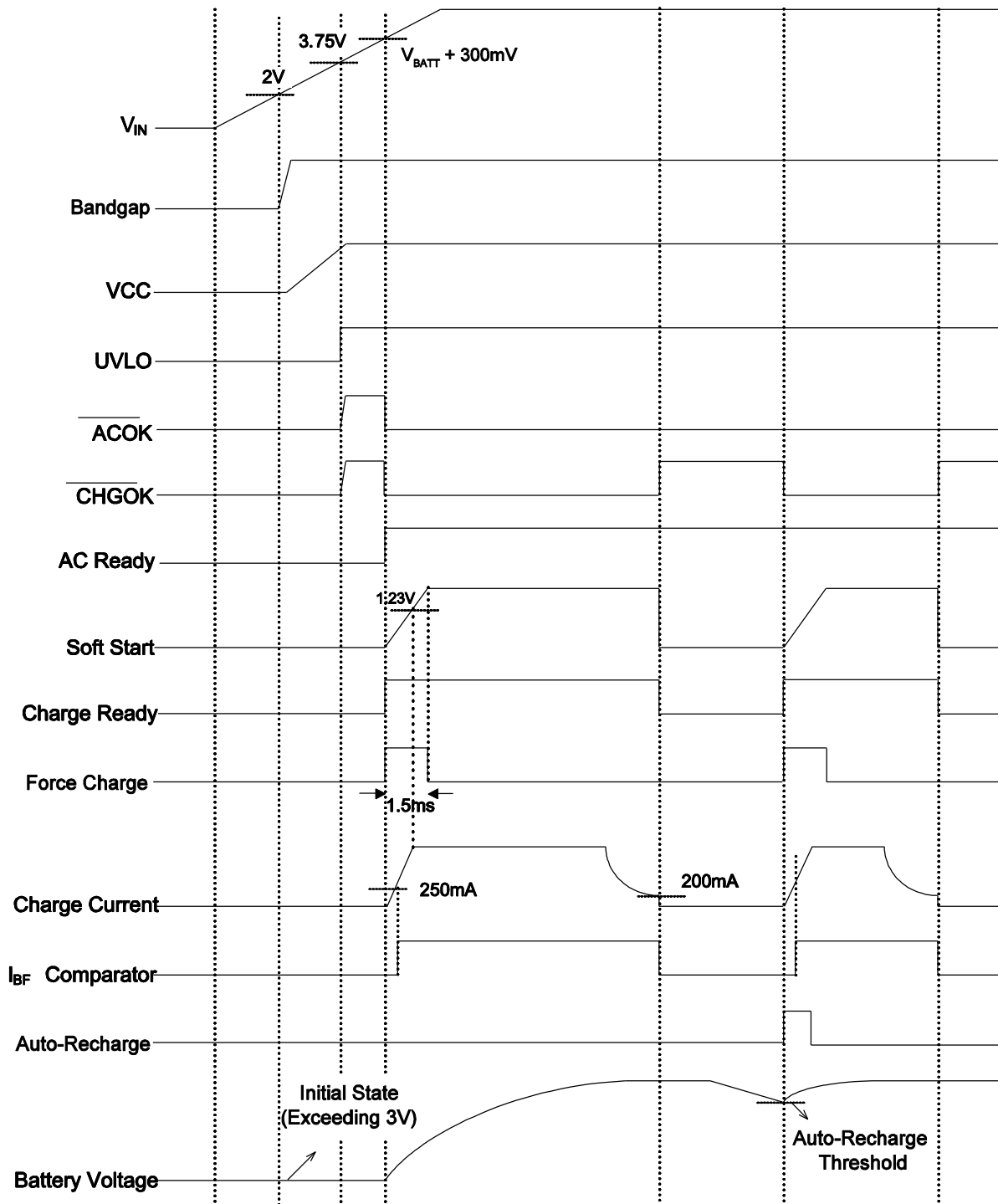


Figure 3: Input Power Start-Up Timing Diagram

# OPERATION FLOWCHART

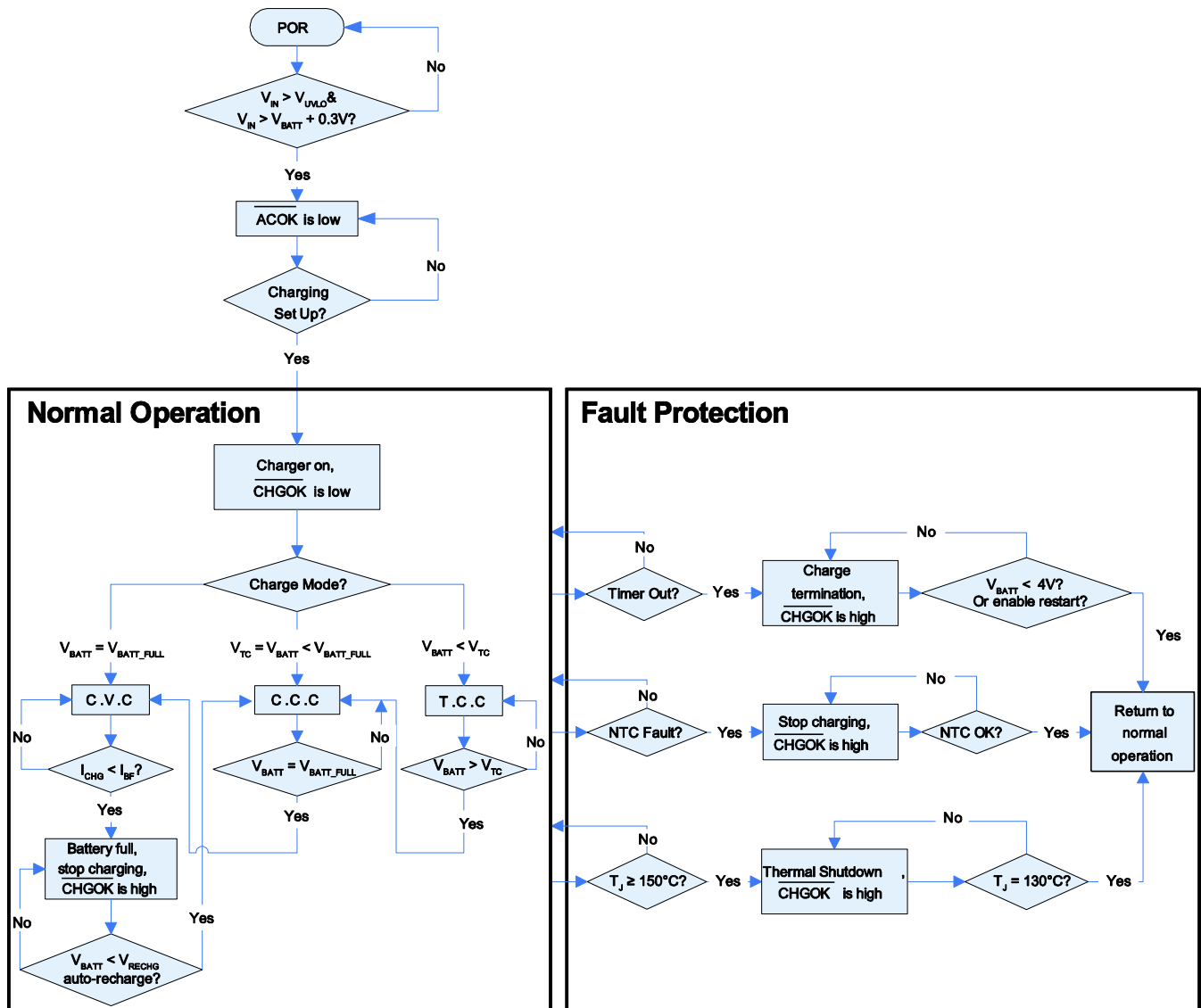


Figure 4: Operation Flowchart



## APPLICATION INFORMATION

### COMPONENT SELECTION

#### Charge Current Setting

The MP2615C's constant charge current ( $I_{CC}$ ) can be set via the sense resistor ( $RS1$ ) (see the Typical Application Circuit section on page 18). Calculate the constant current (CC) charge with Equation (4):

$$I_{CC} = \frac{52.5\text{mV}}{RS1(\text{m}\Omega)} \text{ (A)} \quad (4)$$

If  $I_{CC}$  is 2.1A, choose  $RS1$  to be 25m $\Omega$ .

The trickle charge current ( $I_{TC}$ ) can be estimated with Equation (5):

$$I_{TC} = 0.10 \times I_{CC} \quad (5)$$

#### Selecting the Inductor

To select the optimal inductor, a tradeoff should be made between cost, size, and efficiency. An inductor with a lower-value inductance has the benefit of a smaller size, but also has higher ripple currents, magnetic hysteretic losses, and output capacitance. Conversely, a higher-value inductor lowers the ripple current and allows for the use of smaller output filter capacitors, but it also results in higher inductor DC resistance (DCR) loss.

Based on practical experience, the inductor ripple current should not exceed 30% of the maximum charge current under the worst-case conditions. For the MP2615C, with a typical 12V input voltage to charge a 2-cell battery, the maximum inductor current ripple occurs at the corner point between trickle charge and CC charge ( $V_{BATT} = 6\text{V}$ ). The inductance can be calculated with Equation (6):

$$L = \frac{V_{IN} - V_{BATT}}{\Delta I_{L\_MAX}} \frac{V_{BATT}}{V_{IN} \times f_{SW}} \quad (6)$$

Where  $V_{IN}$  is the input voltage,  $V_{BATT}$  is the CC charge threshold, and  $f_{SW}$  is the switching frequency.

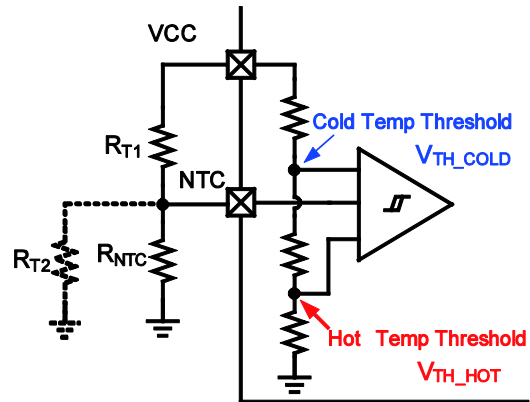
$\Delta I_{L\_MAX}$  is the maximum inductor ripple current, which is usually 30% of the CC charge current, calculated with Equation (7):

$$\Delta I_{L\_MAX} = 0.30 \times I_{CC} \quad (7)$$

If  $V_{BATT} = 6\text{V}$  and  $f_{SW} = 760\text{kHz}$ , the calculated inductance is 6.6 $\mu\text{H}$ . The inductor saturation current must exceed 2.6A and have some tolerance. To optimize efficiency, choose an inductor with a DC resistance below 50m $\Omega$ .

#### NTC Resistor Divider Selection

Figure 5 shows how an internal resistor divider sets the cold temperature threshold and hot temperature threshold at 73.3% of  $V_{CC}$  and 31.1% of  $V_{CC}$ , respectively.



**Figure 5: NTC Functional Block**

The thermistor (NCP18XH103) in Figure 5 has the following electrical characteristics:

- At 0°C,  $R_{NTC\_COLD} = 27.445\text{k}\Omega$
- At 50°C,  $R_{NTC\_HOT} = 4.1601\text{k}\Omega$

For a given NTC thermistor, select values for  $R_{T1}$  and  $R_{T2}$  to set the NTC window. Assuming that the NTC window is between 0°C and 50°C, the cold and hot thresholds can be calculated with Equation (8) and Equation (9), respectively:

$$\frac{R_{T2} // R_{NTC\_COLD}}{R_{T1} + R_{T2} // R_{NTC\_COLD}} = V_{COLD} = 73.3\% \quad (8)$$

$$\frac{R_{T2} // R_{NTC\_HOT}}{R_{T1} + R_{T2} // R_{NTC\_HOT}} = V_{HOT} = 31.1\% \quad (9)$$

The required battery temperature range can be paired with Equation (8) and Equation (9) to calculate  $R_{T1}$  and  $R_{T2}$ .

#### Selecting the Input Capacitor

The input capacitors ( $C1$ ) from the typical application circuit absorb the maximum ripple current from the buck converter, which can be

estimated with Equation (10):

$$I_{\text{RMS\_MAX}} = I_{\text{CC}} \frac{\sqrt{V_{\text{TC}} \times (V_{\text{IN\_MAX}} - V_{\text{TC}})}}{V_{\text{IN\_MAX}}} \quad (10)$$

If  $I_{\text{CC}} = 2\text{A}$ ,  $V_{\text{TC}} = 6\text{V}$ , and  $V_{\text{IN\_MAX}} = 18\text{V}$ , the maximum ripple current is 1A. Select the input capacitors so that the temperature rise due to the ripple current does not exceed 10°C. It is recommended to use ceramic capacitors with X5R or X7R dielectrics because of their low ESR and small temperature coefficients. For most applications, use a 22µF capacitor.

### Selecting the Output Capacitor

The output capacitor (C2) is in parallel with the battery. C2 absorbs the high-frequency switching ripple current and smooths the output voltage. Its impedance must be below the battery's to ensure it absorbs the ripple current. Use a ceramic capacitor because it has a lower ESR and smaller size. The output voltage ripple can be calculated with Equation (11):

$$\Delta R_{\text{O}} = \frac{\Delta V_{\text{O}}}{V_{\text{O}}} = \frac{1 - \frac{V_{\text{O}}}{V_{\text{IN}}}}{8 \times C_{\text{O}} \times f_{\text{SW}}^2 \times L} \quad (11)$$

To guarantee u0.5% battery-full voltage accuracy, the maximum output voltage ripple should not exceed 0.5% (e.g. 0.1%). The maximum output voltage ripple occurs at the minimum battery voltage of the CC charge and the maximum input voltage.

If  $V_{\text{IN\_MAX}} = 18\text{V}$ ,  $V_{\text{CC\_MIN}} = V_{\text{TC}} = 6\text{V}$ ,  $L = 6.8\mu\text{H}$ ,  $f_{\text{SW}} = 760\text{kHz}$ , and  $\Delta R_{\text{O\_MAX}} = 0.1\%$ , the output capacitor can be calculated with Equation (12):

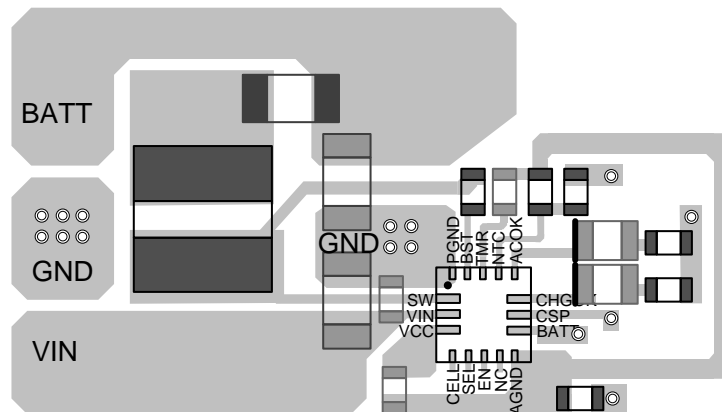
$$C_{\text{O}} = \frac{1 - \frac{V_{\text{TC}}}{V_{\text{IN\_MAX}}}}{8 \times f_{\text{SW}}^2 \times L \times \Delta R_{\text{O\_MAX}}} = 21.3\mu\text{F} \quad (12)$$

In this case, choose a 22µF ceramic capacitor.

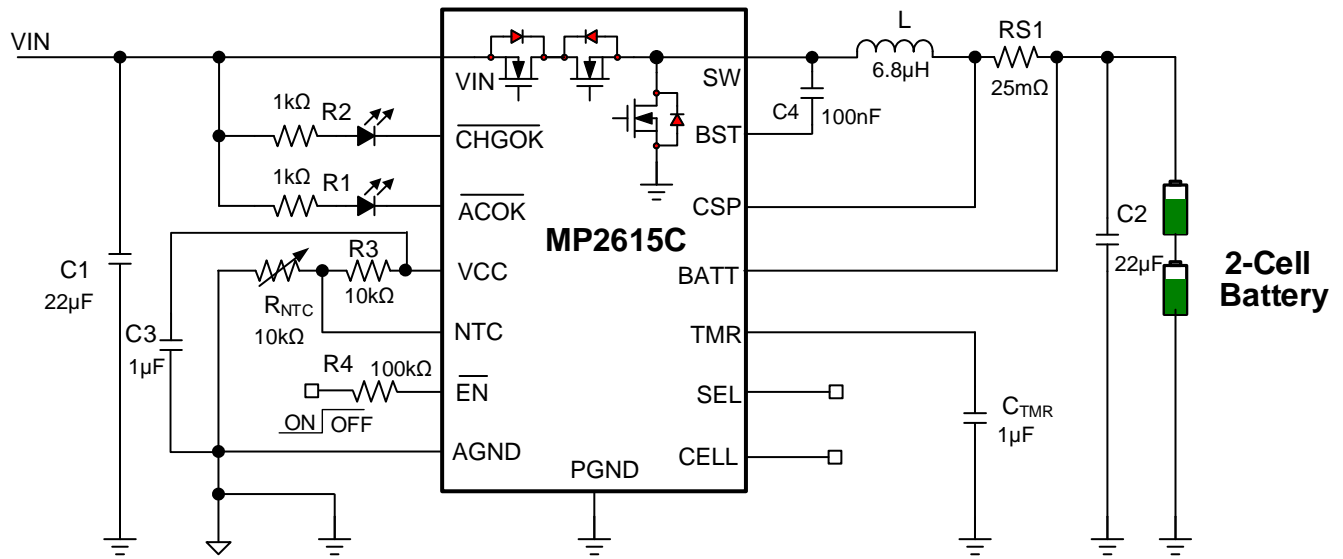
### PCB Layout Guidelines

Proper PCB layout is important to meet specified noise, efficiency and stability requirements. For the best results, refer to Figure 6 and follow the guidelines below:

1. Route the power stage adjacent to the grounds.
2. Aim to minimize the high-side switching node (SW, inductor) trace lengths in the high-current paths and the current-sense resistor trace.
3. Keep the switching node short, and route it away from the feedback network.
4. Connect the charge current-sense resistor to CSP (pin 10) and BATT (pin 9). Minimize the length and area of this circuit loop.
5. Place the input capacitor as close as possible to the VIN and PGND pins.
6. Place the output inductor as close as possible to the IC, and connect the output capacitor between the inductor and PGND of the IC. This minimizes the current path loop area from the SW pin through the LC filter and back to the PGND pin.
7. Connect AGND and PGND at a single point.

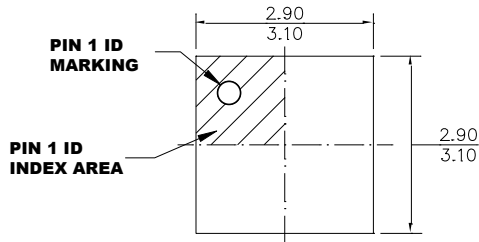


**Figure 6: Recommended PCB Layout**

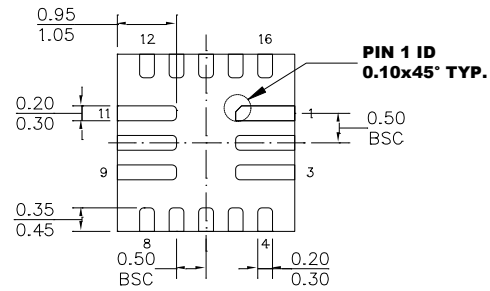
**TYPICAL APPLICATION CIRCUIT**

**Figure 7: Typical Application Circuit to Charge a 2-Cell Battery with 12V  $V_{IN}$**

PACKAGE INFORMATION

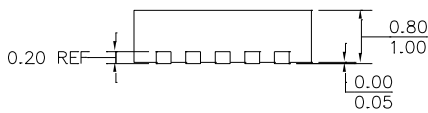
QFN-16 (3mmx3mm)



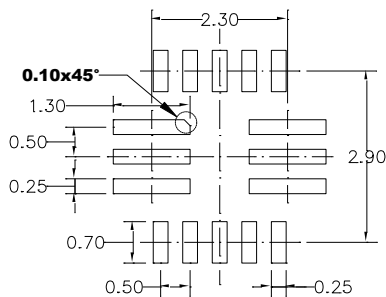
**TOP VIEW**



**BOTTOM VIEW**



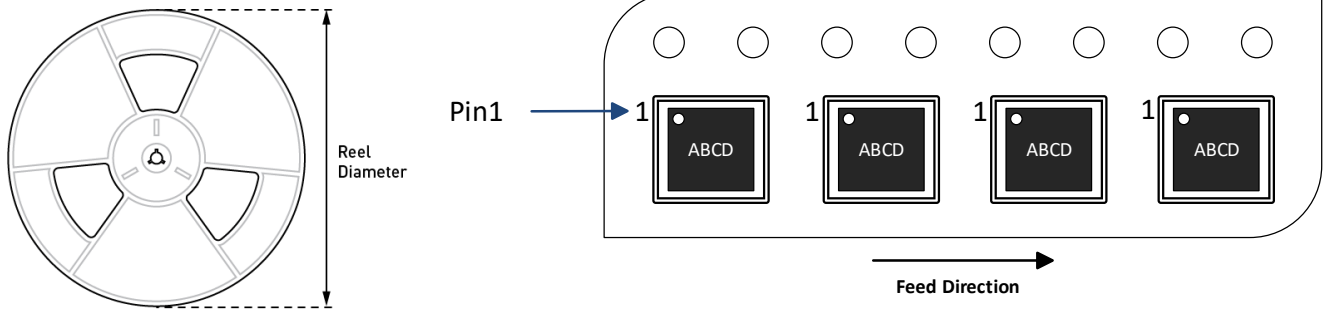
**SIDE VIEW**



**RECOMMENDED LAND PATTERN**

**NOTE:**

- 1) ALL DIMENSIONS ARE IN MILLIMETERS.
- 2) EXPOSED PADDLE SIZE DOES NOT INCLUDE MOLD FLASH.
- 3) LEAD COPLANARITY SHALL BE 0.10 MILLIMETERS MAX.
- 4) JEDEC REFERENCE IS MO-220.
- 5) DRAWING IS NOT TO SCALE.

**CARRIER INFORMATION**


Part Number	Package Description	Quantity/ Reel	Quantity/ Tube	Quantity/ Tray	Reel Diameter	Carrier Tape Width	Carrier Tape Pitch
MP2615CGQ-Z	QFN-16 (3mmx3mm)	5000	N/A	N/A	13in	12mm	8mm

**Revision History**

<b>Revision #</b>	<b>Revision Date</b>	<b>Description</b>	<b>Pages Updated</b>
1.0	9/11/2020	Initial Release	-

**Notice:** The information in this document is subject to change without notice. Please contact MPS for current specifications. Users should warrant and guarantee that third-party Intellectual Property rights are not infringed upon when integrating MPS products into any application. MPS will not assume any legal responsibility for any said applications.