



ATtiny104 Xplained Nano

ATtiny104 Xplained Nano Evaluation Kit User's Guide

Preface

The Microchip ATtiny104 Xplained Nano Evaluation Kit is a hardware platform to evaluate the ATtiny104 microcontroller.

Supported by the Atmel Studio and MPLAB® X integrated development platform, the kit provides easy access to the features of the Microchip ATtiny104 and explains how to integrate the device in a custom design.

The Xplained Nano MCU series evaluation kits include an on-board mini embedded programmer, and no external tools are necessary to program the ATtiny104.

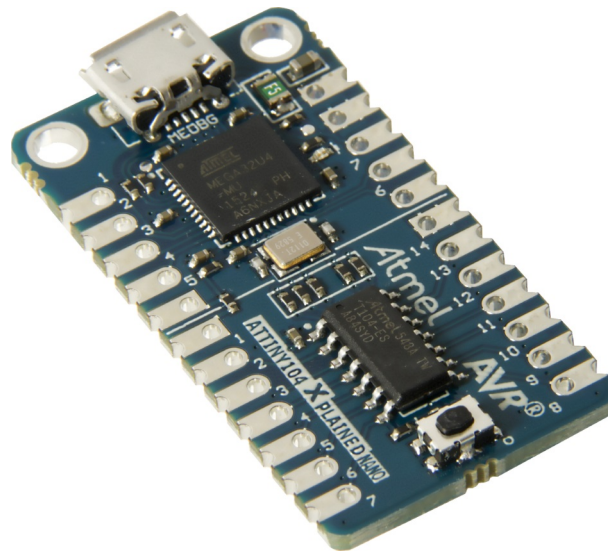


Table of Contents

Preface.....	1
1. Introduction.....	3
1.1. Features.....	3
1.2. Kit Overview.....	3
2. Getting Started.....	4
2.1. Xplained Nano Quick Start.....	4
2.2. Design Documentation and Relevant Links.....	4
3. Xplained Nano.....	6
3.1. Mini Embedded Debugger.....	6
3.2. Power Sources.....	6
3.3. Xplained Nano Standard Pinout.....	7
3.4. Disconnecting mEDBG.....	8
4. Hardware User Guide.....	9
4.1. Connectors.....	9
4.2. Current Measurement.....	9
4.3. Peripherals.....	10
5. Embedded Debugger Implementation.....	11
5.1. Tiny Program Interface.....	11
5.2. Virtual COM Port.....	11
6. Hardware Revision History and Known Issues.....	12
6.1. Identifying Product ID and Revision.....	12
6.2. Fuse Masking.....	12
6.3. Revision 2.....	12
6.4. Revision 1.....	12
7. Document Revision History.....	13
The Microchip Website.....	14
Product Change Notification Service.....	14
Customer Support.....	14
Microchip Devices Code Protection Feature.....	14
Legal Notice.....	14
Trademarks.....	15
Quality Management System.....	15
Worldwide Sales and Service.....	16

1. Introduction

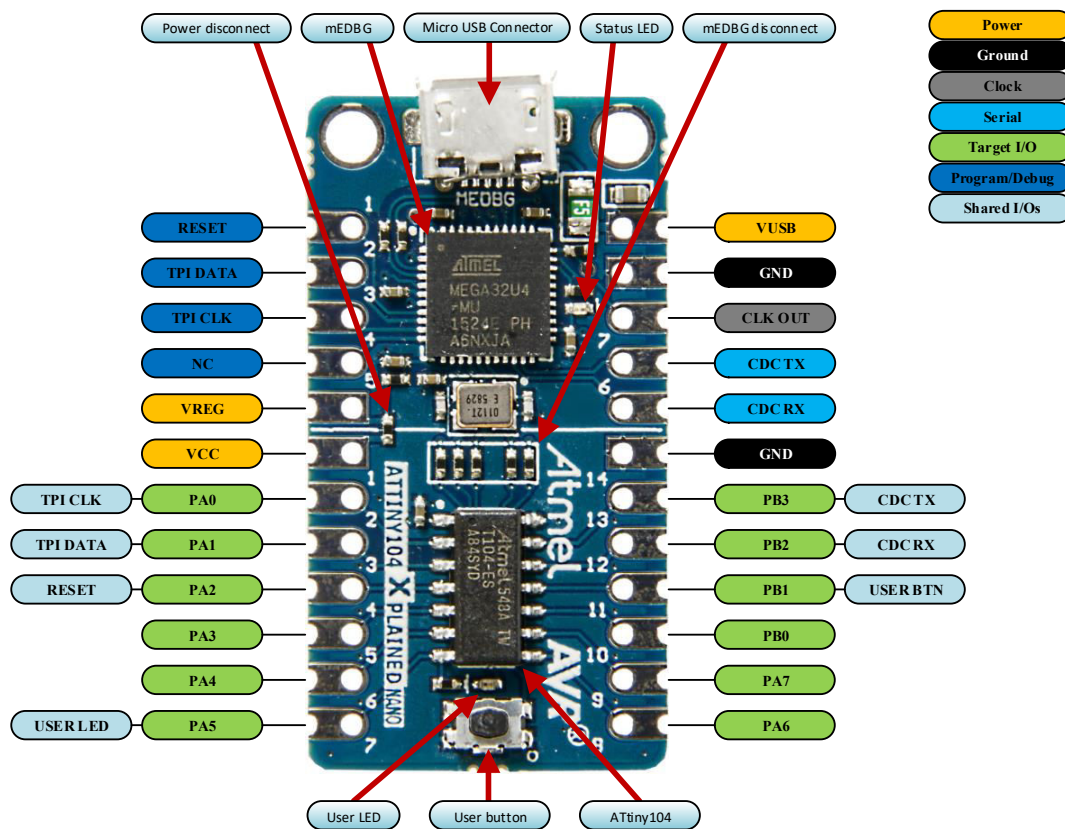
1.1 Features

- ATtiny104 Microcontroller
- One Yellow User LED
- One Mechanical Button
- mEDBG
 - Auto-ID for board identification in Atmel Studio/Microchip MPLAB® X IDE
 - One green board status LED
 - Programming
 - Virtual COM port (CDC)
- USB Powered

1.2 Kit Overview

The Microchip ATtiny104 Xplained Nano Evaluation kit is a hardware platform to evaluate the ATtiny104.

Figure 1-1. ATtiny104 Xplained Nano Evaluation Kit Overview



2. Getting Started

2.1 Xplained Nano Quick Start

Steps to start exploring the Microchip Xplained Nano platform:

1. Download Atmel Studio/Microchip MPLAB® X IDE.
2. Launch Atmel Studio/Microchip MPLAB® X IDE.
3. Optional: Use [Atmel START](#) to generate drivers and examples.
4. Write your application code.
5. Connect a USB cable (Standard-A to Micro-B or Micro-AB) between the PC and the debug USB port on the kit.

When the Xplained Nano kit is connected to your computer for the first time, the operating system will perform a driver software installation. The driver file supports both 32- and 64-bit versions of Microsoft® Windows® XP, Windows Vista®, Windows 7, Windows 8, and Windows 10. The drivers for the kit are included with Atmel Studio/Microchip MPLAB® X IDE.

Once the Xplained Nano board is powered, the green status LED will blink and Atmel Studio/Microchip MPLAB® X IDE will auto-detect which Xplained Nano board is connected. Atmel Studio/Microchip MPLAB® X IDE will present relevant information like data sheets and kit documentation. The ATtiny104 device is programmed by the on-board Mini Embedded Debugger and therefore, no external programmer tool is required.

2.2 Design Documentation and Relevant Links

The following list contains links to the most relevant documents and software for the ATtiny104 Xplained Nano.

- [Xplained Products](#) - Xplained Evaluation Kits are a series of easy-to-use evaluation kits for Microchip microcontrollers and other Microchip products.
 - Xplained Nano - used for low pin count devices and provides a minimalistic solution with access to all I/O pins of the target microcontroller.
 - Xplained Mini - used for medium pin count devices and adds Arduino Uno compatible header footprint and a prototyping area.
 - Xplained Pro - used for medium-to-high pin count devices that features advanced debugging and standardized extensions for peripheral functions.

Note: All the above kits have on-board programmers/debuggers, which creates a set of low-cost boards for evaluation and demonstration of features and capabilities of different Microchip products.

- [Atmel Studio](#) - Free IDE for the development of C/C++ and assembler code for microcontrollers.
- [MPLAB® X IDE](#) - MPLAB® X IDE is a software program that runs on a PC (Windows®, Mac OS®, Linux®) to develop applications for Microchip microcontrollers and digital signal controllers. It is called an Integrated Development Environment (IDE) because it provides a single integrated “environment” to develop code for embedded microcontrollers.
- [MPLAB® Code Configurator](#) - MPLAB® Code Configurator (MCC) is a free software plug-in that provides a graphical interface to configure peripherals and functions specific to your application.
- [IAR Embedded Workbench® for AVR®](#) - This is a commercial C/C++ compiler that is available for 8-bit AVR. There is a 30-day evaluation version as well as a 4 KB code-size-limited kick-start version available from their website.
- [Atmel START](#) - Atmel START is an online tool that helps the user to select and configure software components and tailor your embedded application in a usable and optimized manner.
- [Microchip Sample Store](#) - Microchip sample store where you can order samples of devices.
- [Data Visualizer](#) - Data Visualizer is a program used for processing and visualizing data. The Data Visualizer can receive data from various sources such as the EDBG Data Gateway Interface found on Curiosity Nano and Xplained Pro boards and COM Ports.

ATtiny104 Xplained Nano

Getting Started

- [Design Documentation](#) - Package containing CAD source, schematics, BOM, assembly drawings, 3D plots, layer plots, etc.
- [Hardware Users Guide in PDF format](#) - PDF version of this User Guide.

3. Xplained Nano

Xplained Nano is an evaluation platform that provides a set of small boards with access to all microcontroller I/O's. The platform consists of a series of low pin count Microcontroller (MCU) boards, which are integrated with Atmel Studio/Microchip MPLAB® X IDE to present relevant user guides, application notes, data sheets, and example code through Atmel Studio/Microchip MPLAB® X IDE. The platform also features a Virtual COM port for serial communication to a host PC.

3.1 Mini Embedded Debugger

The ATtiny104 Xplained Nano contains the Mini Embedded Debugger (mEDBG) for on-board programming. The mEDBG is a composite USB device of two interfaces: a debugger and a virtual COM port.

Together with Atmel Studio, the mEDBG debugger interface can program the ATtiny104. On ATtiny104 Xplained Nano, the TPI interface is connected between the mEDBG and the ATtiny104.

The virtual COM port is connected to a UART on the ATtiny104 and provides an easy way to communicate with the target application through the terminal software. It offers variable baud rate, parity, and Stop bit settings.

Note: The settings on the ATtiny104 must match the settings given in the terminal software.



Info: The virtual COM port in the mEDBG requires the terminal software to set the Data Terminal Ready (DTR) signal to enable the UART pins connected to the ATtiny104. If the DTR signal is not enabled the UART pins on the mEDBG are kept in high-z (tri-state), rendering the COM port unusable. The DTR signal is automatically set by some terminal software, but it may have to be manually enabled in the target terminal.

The mEDBG controls one status LED on the ATtiny104 Xplained Nano. The table below shows how the LED is controlled in different operation modes.

Table 3-1. mEDBG LED Control

Operation Mode	Status LED
Power-up	LED is briefly lit
Normal operation	LED is not lit
Programming	Activity indicator; the LED flashes when programming/debugging with the mEDBG

3.1.1 Xplained Nano Clock Output

The mEDBG outputs its CPU clock to the *CLK* pin 8, as shown in [3.3 Xplained Nano Standard Pinout](#). The clock output can be used to feed the target device with a more accurate clock if this is needed for the application.

3.2 Power Sources

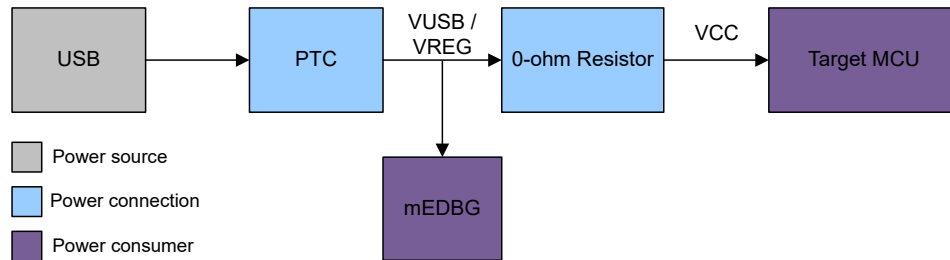
The kit can be powered by different sources. By default the kit will have a 5V supply and the voltage is taken directly from the USB port through a 500 mA PTC fuse. The voltage from the USB connector can vary between 4.4V to 5.25V (according to USB spec).

If other voltages are required, the kit must be disconnected from the USB to avoid damage or contention to the USB power. The mEDBG must also be disconnected from the target section of the board. The board can be powered by applying a voltage to one of the power connections on the board, according to the table below. To avoid any power leakage through the mEDBG, this should also be disconnected by removing the resistors shown in [Figure 3-3](#). For placement of power connections, see [3.3 Xplained Nano Standard Pinout](#).

Table 3-2. Power Connections

Power Connection	Description
VUSB	USB Voltage output when USB is connected (behind a PTC fuse). Can be used as power input when USB is not used.
VREG	Regulated voltage from VUSB. If the kit does not have a regulator, this is directly connected to VUSB.
VCC	Target voltage supply. By default, connected to VREG through a 0Ω resistor. Apply external voltage here if the resistor is removed.

Figure 3-1. Power Supply Block Diagram



3.3 Xplained Nano Standard Pinout

Xplained Nano kits have a standard pinout in the mEDBG section, as shown in the tables and figure below. The program/debug pins will change depending on the target interface but will remain at the same locations.

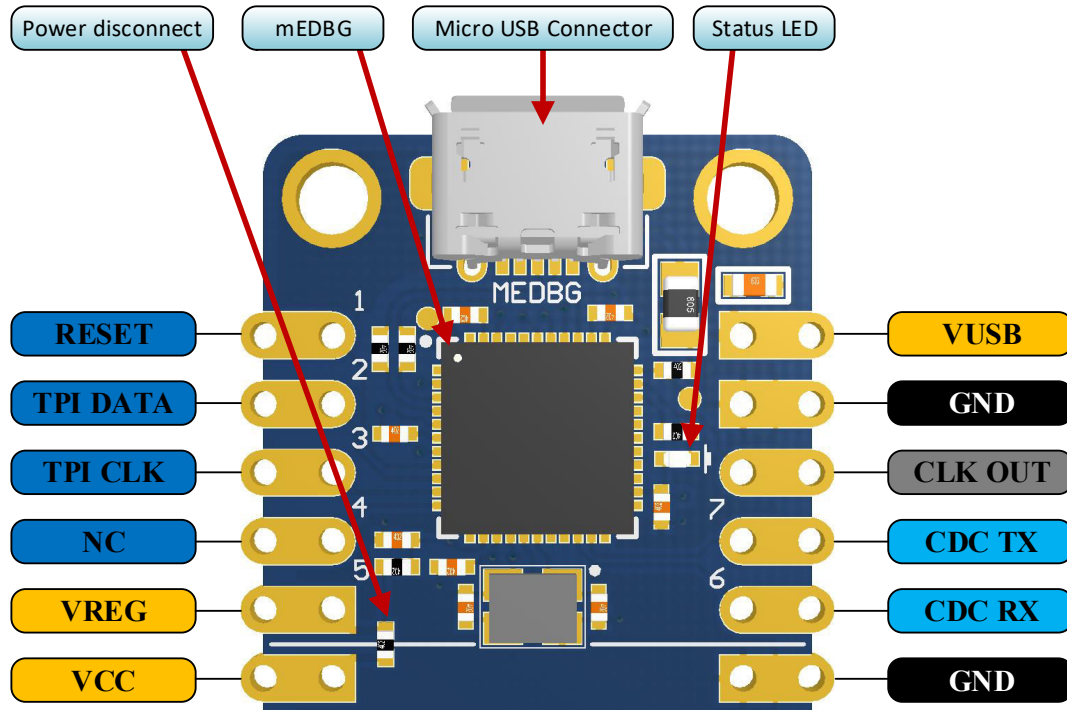
Xplained Nano kits have a target section where all I/O pins will be available and fanned out. Except for the VCC and GND pins with fixed positions, there are no defined pin functions in this area. The first pin in the target area is the VCC pin, located right next to the VREG pin of the standard section. The last pin is GND, and it is located next to the CDC RX pin in the standard section. For reference, see the figure below.

3.3.1 Standard Pinout for TPI

Table 3-3. Xplained Nano Standard Pinout for TPI

Pin Number	Name	Description
1	RST	Reset line
2	TPID	TPI Program data line
3	TPIC	TPI Program clock output
4	NC	No Connect
5	VREG	Regulated voltage or VUSB if no regulator present
6	UART RX	mEDBG UART RX line
7	UART TX	mEDBG UART TX line
8	CLK	mEDBG clock output
9	GND	Ground
10	VUSB	USB voltage

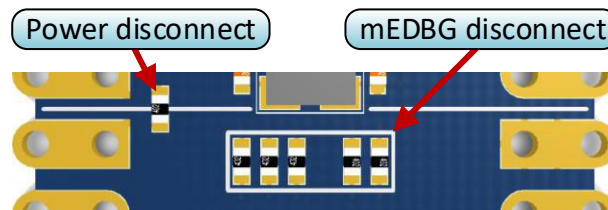
Figure 3-2. Xplained Nano Standard Pinout for TPI



3.4 Disconnecting mEDBG

The target device can be completely separated from the mEDBG, but this requires some small modifications to the board using a soldering iron. By removing the resistors in the sections shown in the figure below, the mEDBG is completely disconnected from the target controller. If desired to connect the mEDBG again, solder in 0Ω resistors or solder in 100-mil headers on the header footprints and use wire-straps to connect the interfaces.

Figure 3-3. Kit Modifications



4. Hardware User Guide

4.1 Connectors

4.1.1 ATtiny104 Xplained Nano Pinout

The ATtiny104 Xplained Nano has a direct fan-out of the I/O pins of the device and all I/O's are accessible at the edge connectors.

Table 4-1. Edge Connector

Edge Connector	ATtiny104 Pin	Functions	Shared Functionality
1	VCC	Power supply	
2	PA[0]	PCINT0/ADC0/AIN0/T0/CLKI/TPICLK	mEDBG TPI Clock
3	PA[1]	PCINT1/ADC1/AIN1/OC0B/TPIDATA	mEDBG TPI Data
4	PA[2]	PCINT2/RESET	mEDBG Reset
5	PA[3]	PCINT3/OC0A	
6	PA[4]	PCINT4/ICP0	
7	PA[5]	PCINT5/ADC2/OC0B	User LED
8	PA[6]	PCINT6/ADC3	
9	PA[7]	PCINT7	
10	PB[0]	PCINT8/ADC4	
11	PB[1]	PCINT9/INT0/ADC5/XCK0/OC0A/CLKO	User button
12	PB[2]	PCINT10/ADC6/TxD0/ICP0	mEDBG CDC RX
13	PB[3]	PCINT11/ADC7/ACO/RxD0/T0	mEDBG CDC TX
14	GND	Ground	

4.2 Current Measurement

The power to the target controller ATtiny104 is connected from the VREG supply to the targets VCC supply with a 0Ω resistor, as shown in the figure below. To measure the power consumption of the device, remove the 0Ω resistor and replace it with an ammeter. The ammeter can be connected between the VREG and VCC pads for easy measurement.

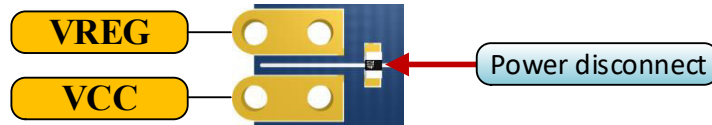


Tip: To connect the two power domains again, solder in a 0Ω resistor on the footprint or a 100-mil header on the header footprint at the edge of the board and place a jumper between VREG and VCC.



Removing the resistor while the kit is powered without an ammeter or jumper may cause the ATtiny104 to be powered through its I/O pins. This may cause permanent damage to the device.

Figure 4-1. Current Measurement



4.3 Peripherals

4.3.1 LED

There is one yellow LED available on the ATtiny104 Xplained Nano board that can be turned ON and OFF. The LED can be activated by driving the connected I/O line to GND.

Table 4-2. LED Connection

ATtiny104 Pin	Function	Shared Functionality
PA5	Yellow LED0	Edge connector

4.3.2 Mechanical Buttons

ATtiny104 Xplained Nano contains one mechanical button. This is a generic user configurable button and when a button is pressed it will drive the I/O line to GND.



Info: There is no pull-up resistor connected to the generic user button. Remember to enable the internal pull-up in the ATtiny104 to use the button.

Table 4-3. Mechanical Button

ATtiny104 Pin	Description	Shared Functionality
PB1	User button	Edge connector

5. Embedded Debugger Implementation

ATtiny104 Xplained Nano contains a Mini Embedded Debugger (mEDBG) that can be used to program the ATtiny104 using Tiny Program Interface (TPI). The mEDBG also includes a Virtual Com port interface over UART. Atmel Studio can be used as a front end for the Mini Embedded Debugger.

5.1 Tiny Program Interface

The Tiny Program Interface (TPI) uses two pins to communicate with the target. For further information on how to use the programming capabilities of the mEDBG, see [Mini Embedded Debugger](#).

Table 5-1. TPI Connections

ATtiny104 Pin	Function	Shared Functionality
PA0	TPI clock	mEDBG
PA1	TPI data	mEDBG

5.2 Virtual COM Port

The Embedded Debugger acts as a Virtual Com Port gateway by using one of the ATtiny104 UARTs. For further information on how to use the Virtual COM port, see [Mini Embedded Debugger](#).

Table 5-2. Virtual COM Port Connections

ATtiny104 Pin	Function	Shared Functionality
PB2	UART TXD (ATtiny104 TX line)	mEDBG CDC RX
PB3	UART RXD (ATtiny104 RX line)	mEDBG CDC TX

6. Hardware Revision History and Known Issues

This user guide provides the latest available revision of the kit. This section contains information about known issues, a revision history of older revisions, and how older revisions differ from the latest revision.

6.1 Identifying Product ID and Revision

The revision and product identifier of Xplained Nano boards can be found in two ways; either through Atmel Studio/Microchip MPLAB® X IDE or by looking at the sticker on the bottom side of the PCB.

By connecting an Xplained Nano board to a computer with Atmel Studio/Microchip MPLAB® X IDE running, an information window will pop up. The first six digits of the serial number, which is listed under kit details, contain the product identifier and revision.

The same information can be found on the sticker on the bottom side of the PCB. Most kits will print the identifier and revision in plain text as A09-nnnn\rr, where nnnn is the identifier and rr is the revision. Boards with limited space have a sticker with only a QR-code, which contains a serial number string.

The serial number string has the following format:

```
"nnnnrrsssssssss"  
n = product identifier  
r = revision  
s = serial number
```

The product identifier for ATtiny104 Xplained Nano is A09-2678.

6.2 Fuse Masking

The ATtiny104 RSTDISBL(External Reset disable) fuse has been masked out in the mEDBG firmware. This is done to avoid users disabling programming and debugging of the ATtiny104.

6.3 Revision 2

The target device U200 on revision 2 of the kit has been changed from engineering samples (ATTINY104-SSNRES) to non-engineering samples (ATTINY104-SSNR).

6.4 Revision 1

Revision 1 is the initially released revision.

Engineering samples are mounted on revision 1 for the target device U200 (ATTINY104-SSNRES).

7. Document Revision History

Doc. Rev.	Date	Comment
A	12/2019	Microchip DS40002160 replaces Atmel 42671; Added section regarding fuse masking.
42671B	08/2016	Add revision 2 information.
42671A	02/2016	Initial document release.

The Microchip Website

Microchip provides online support via our website at <http://www.microchip.com/>. This website is used to make files and information easily available to customers. Some of the content available includes:

- **Product Support** – Data sheets and errata, application notes and sample programs, design resources, user's guides and hardware support documents, latest software releases and archived software
- **General Technical Support** – Frequently Asked Questions (FAQs), technical support requests, online discussion groups, Microchip design partner program member listing
- **Business of Microchip** – Product selector and ordering guides, latest Microchip press releases, listing of seminars and events, listings of Microchip sales offices, distributors and factory representatives

Product Change Notification Service

Microchip's product change notification service helps keep customers current on Microchip products. Subscribers will receive email notification whenever there are changes, updates, revisions or errata related to a specified product family or development tool of interest.

To register, go to <http://www.microchip.com/pcn> and follow the registration instructions.

Customer Support

Users of Microchip products can receive assistance through several channels:

- Distributor or Representative
- Local Sales Office
- Embedded Solutions Engineer (ESE)
- Technical Support

Customers should contact their distributor, representative or ESE for support. Local sales offices are also available to help customers. A listing of sales offices and locations is included in this document.

Technical support is available through the website at: <http://www.microchip.com/support>

Microchip Devices Code Protection Feature

Note the following details of the code protection feature on Microchip devices:

- Microchip products meet the specification contained in their particular Microchip Data Sheet.
- Microchip believes that its family of products is one of the most secure families of its kind on the market today, when used in the intended manner and under normal conditions.
- There are dishonest and possibly illegal methods used to breach the code protection feature. All of these methods, to our knowledge, require using the Microchip products in a manner outside the operating specifications contained in Microchip's Data Sheets. Most likely, the person doing so is engaged in theft of intellectual property.
- Microchip is willing to work with the customer who is concerned about the integrity of their code.
- Neither Microchip nor any other semiconductor manufacturer can guarantee the security of their code. Code protection does not mean that we are guaranteeing the product as "unbreakable."

Code protection is constantly evolving. We at Microchip are committed to continuously improving the code protection features of our products. Attempts to break Microchip's code protection feature may be a violation of the Digital Millennium Copyright Act. If such acts allow unauthorized access to your software or other copyrighted work, you may have a right to sue for relief under that Act.

Legal Notice

Information contained in this publication regarding device applications and the like is provided only for your convenience and may be superseded by updates. It is your responsibility to ensure that your application meets with

your specifications. MICROCHIP MAKES NO REPRESENTATIONS OR WARRANTIES OF ANY KIND WHETHER EXPRESS OR IMPLIED, WRITTEN OR ORAL, STATUTORY OR OTHERWISE, RELATED TO THE INFORMATION, INCLUDING BUT NOT LIMITED TO ITS CONDITION, QUALITY, PERFORMANCE, MERCHANTABILITY OR FITNESS FOR PURPOSE. Microchip disclaims all liability arising from this information and its use. Use of Microchip devices in life support and/or safety applications is entirely at the buyer's risk, and the buyer agrees to defend, indemnify and hold harmless Microchip from any and all damages, claims, suits, or expenses resulting from such use. No licenses are conveyed, implicitly or otherwise, under any Microchip intellectual property rights unless otherwise stated.

Trademarks

The Microchip name and logo, the Microchip logo, Adaptec, AnyRate, AVR, AVR logo, AVR Freaks, BesTime, BitCloud, chipKIT, chipKIT logo, CryptoMemory, CryptoRF, dsPIC, FlashFlex, flexPWR, HELDO, IGLOO, JukeBlox, KeeLoq, Kleer, LANCheck, LinkMD, maXStylus, maXTouch, MediaLB, megaAVR, Microsemi, Microsemi logo, MOST, MOST logo, MPLAB, OptoLyzer, PackeTime, PIC, picoPower, PICSTART, PIC32 logo, PolarFire, Prochip Designer, QTouch, SAM-BA, SenGenuity, SpyNIC, SST, SST Logo, SuperFlash, Symmetricom, SyncServer, Tachyon, TempTrackr, TimeSource, tinyAVR, UNI/O, Vectron, and XMEGA are registered trademarks of Microchip Technology Incorporated in the U.S.A. and other countries.

APT, ClockWorks, The Embedded Control Solutions Company, EtherSynch, FlashTec, Hyper Speed Control, HyperLight Load, IntelliMOS, Libero, motorBench, mTouch, Powermite 3, Precision Edge, ProASIC, ProASIC Plus, ProASIC Plus logo, Quiet-Wire, SmartFusion, SyncWorld, Temux, TimeCesium, TimeHub, TimePictra, TimeProvider, Vite, WinPath, and ZL are registered trademarks of Microchip Technology Incorporated in the U.S.A.

Adjacent Key Suppression, AKS, Analog-for-the-Digital Age, Any Capacitor, AnyIn, AnyOut, BlueSky, BodyCom, CodeGuard, CryptoAuthentication, CryptoAutomotive, CryptoCompanion, CryptoController, dsPICDEM, dsPICDEM.net, Dynamic Average Matching, DAM, ECAN, EtherGREEN, In-Circuit Serial Programming, ICSP, INICnet, Inter-Chip Connectivity, JitterBlocker, KleerNet, KleerNet logo, memBrain, Mindi, MiWi, MPASM, MPF, MPLAB Certified logo, MPLIB, MPLINK, MultiTRAK, NetDetach, Omniscient Code Generation, PICDEM, PICDEM.net, PICkit, PICtail, PowerSmart, PureSilicon, QMatrix, REAL ICE, Ripple Blocker, SAM-ICE, Serial Quad I/O, SMART-I.S., SQI, SuperSwitcher, SuperSwitcher II, Total Endurance, TSHARC, USBCheck, VariSense, ViewSpan, WiperLock, Wireless DNA, and ZENA are trademarks of Microchip Technology Incorporated in the U.S.A. and other countries.

SQTP is a service mark of Microchip Technology Incorporated in the U.S.A.

The Adaptec logo, Frequency on Demand, Silicon Storage Technology, and Symmcom are registered trademarks of Microchip Technology Inc. in other countries.

GestIC is a registered trademark of Microchip Technology Germany II GmbH & Co. KG, a subsidiary of Microchip Technology Inc., in other countries.

All other trademarks mentioned herein are property of their respective companies.

© 2019, Microchip Technology Incorporated, Printed in the U.S.A., All Rights Reserved.

ISBN: 978-1-5224-5364-2

Quality Management System

For information regarding Microchip's Quality Management Systems, please visit <http://www.microchip.com/quality>.

Worldwide Sales and Service

AMERICAS	ASIA/PACIFIC	ASIA/PACIFIC	EUROPE
<p>Corporate Office 2355 West Chandler Blvd. Chandler, AZ 85224-6199 Tel: 480-792-7200 Tel: 480-792-7277 Technical Support: http://www.microchip.com/support Web Address: http://www.microchip.com</p> <p>Atlanta Duluth, GA Tel: 678-957-9614 Fax: 678-957-1455</p> <p>Austin, TX Tel: 512-257-3370</p> <p>Boston Westborough, MA Tel: 774-760-0087 Fax: 774-760-0088</p> <p>Chicago Itasca, IL Tel: 630-285-0071 Fax: 630-285-0075</p> <p>Dallas Addison, TX Tel: 972-818-7423 Fax: 972-818-2924</p> <p>Detroit Novi, MI Tel: 248-848-4000</p> <p>Houston, TX Tel: 281-894-5983</p> <p>Indianapolis Noblesville, IN Tel: 317-773-8323 Fax: 317-773-5453 Tel: 317-536-2380</p> <p>Los Angeles Mission Viejo, CA Tel: 949-462-9523 Fax: 949-462-9608 Tel: 951-273-7800</p> <p>Raleigh, NC Tel: 919-844-7510</p> <p>New York, NY Tel: 631-435-6000</p> <p>San Jose, CA Tel: 408-735-9110 Tel: 408-436-4270</p> <p>Canada - Toronto Tel: 905-695-1980 Fax: 905-695-2078</p>	<p>Australia - Sydney Tel: 61-2-9868-6733</p> <p>China - Beijing Tel: 86-10-8569-7000</p> <p>China - Chengdu Tel: 86-28-8665-5511</p> <p>China - Chongqing Tel: 86-23-8980-9588</p> <p>China - Dongguan Tel: 86-769-8702-9880</p> <p>China - Guangzhou Tel: 86-20-8755-8029</p> <p>China - Hangzhou Tel: 86-571-8792-8115</p> <p>China - Hong Kong SAR Tel: 852-2943-5100</p> <p>China - Nanjing Tel: 86-25-8473-2460</p> <p>China - Qingdao Tel: 86-532-8502-7355</p> <p>China - Shanghai Tel: 86-21-3326-8000</p> <p>China - Shenyang Tel: 86-24-2334-2829</p> <p>China - Shenzhen Tel: 86-755-8864-2200</p> <p>China - Suzhou Tel: 86-186-6233-1526</p> <p>China - Wuhan Tel: 86-27-5980-5300</p> <p>China - Xian Tel: 86-29-8833-7252</p> <p>China - Xiamen Tel: 86-592-2388138</p> <p>China - Zhuhai Tel: 86-756-3210040</p>	<p>India - Bangalore Tel: 91-80-3090-4444</p> <p>India - New Delhi Tel: 91-11-4160-8631</p> <p>India - Pune Tel: 91-20-4121-0141</p> <p>Japan - Osaka Tel: 81-6-6152-7160</p> <p>Japan - Tokyo Tel: 81-3-6880-3770</p> <p>Korea - Daegu Tel: 82-53-744-4301</p> <p>Korea - Seoul Tel: 82-2-554-7200</p> <p>Malaysia - Kuala Lumpur Tel: 60-3-7651-7906</p> <p>Malaysia - Penang Tel: 60-4-227-8870</p> <p>Philippines - Manila Tel: 63-2-634-9065</p> <p>Singapore Tel: 65-6334-8870</p> <p>Taiwan - Hsin Chu Tel: 886-3-577-8366</p> <p>Taiwan - Kaohsiung Tel: 886-7-213-7830</p> <p>Taiwan - Taipei Tel: 886-2-2508-8600</p> <p>Thailand - Bangkok Tel: 66-2-694-1351</p> <p>Vietnam - Ho Chi Minh Tel: 84-28-5448-2100</p>	<p>Austria - Wels Tel: 43-7242-2244-39 Fax: 43-7242-2244-393</p> <p>Denmark - Copenhagen Tel: 45-4450-2828 Fax: 45-4485-2829</p> <p>Finland - Espoo Tel: 358-9-4520-820</p> <p>France - Paris Tel: 33-1-69-53-63-20 Fax: 33-1-69-30-90-79</p> <p>Germany - Garching Tel: 49-8931-9700</p> <p>Germany - Haan Tel: 49-2129-3766400</p> <p>Germany - Heilbronn Tel: 49-7131-72400</p> <p>Germany - Karlsruhe Tel: 49-721-625370</p> <p>Germany - Munich Tel: 49-89-627-144-0 Fax: 49-89-627-144-44</p> <p>Germany - Rosenheim Tel: 49-8031-354-560</p> <p>Israel - Ra'anana Tel: 972-9-744-7705</p> <p>Italy - Milan Tel: 39-0331-742611 Fax: 39-0331-466781</p> <p>Italy - Padova Tel: 39-049-7625286</p> <p>Netherlands - Drunen Tel: 31-416-690399 Fax: 31-416-690340</p> <p>Norway - Trondheim Tel: 47-72884388</p> <p>Poland - Warsaw Tel: 48-22-3325737</p> <p>Romania - Bucharest Tel: 40-21-407-87-50</p> <p>Spain - Madrid Tel: 34-91-708-08-90 Fax: 34-91-708-08-91</p> <p>Sweden - Gothenberg Tel: 46-31-704-60-40</p> <p>Sweden - Stockholm Tel: 46-8-5090-4654</p> <p>UK - Wokingham Tel: 44-118-921-5800 Fax: 44-118-921-5820</p>