

Model 3400-GATE

Electronic LCD Counter for Lift Gate



The Model 3400-GATE LCD Counter provides a large display with 0.28" [7mm] high characters. Designed for liftgates, it incorporates an internal delay circuit to avoid inaccurate counts.

The 3400-GATE is designed to be used on liftgates installed on trucks and commercial vehicles of all types. Regular servicing of the tailgate is crucial to ensure they are working to optimum levels and do not break down. The 3400-GATE incorporates a delay circuit, instructing the counter to count only if the activation switch is held ON for more than 5 seconds, which equates to 2 feet of travel. If the activation switch is pulsed ON and OFF rapidly, the counter will ignore that signal and no count will occur.

Key Features

- Totally sealed from moisture and dirt
- 5 second delay for count
- Always on display
- Compatible with 12V and 24V vehicles
- Logic LOW <1VDC. Logic HIGH 4-30VDC
- Count on a High to Low transition

Options

- Optional Remote Reset
- Custom Brackets by request

Applications

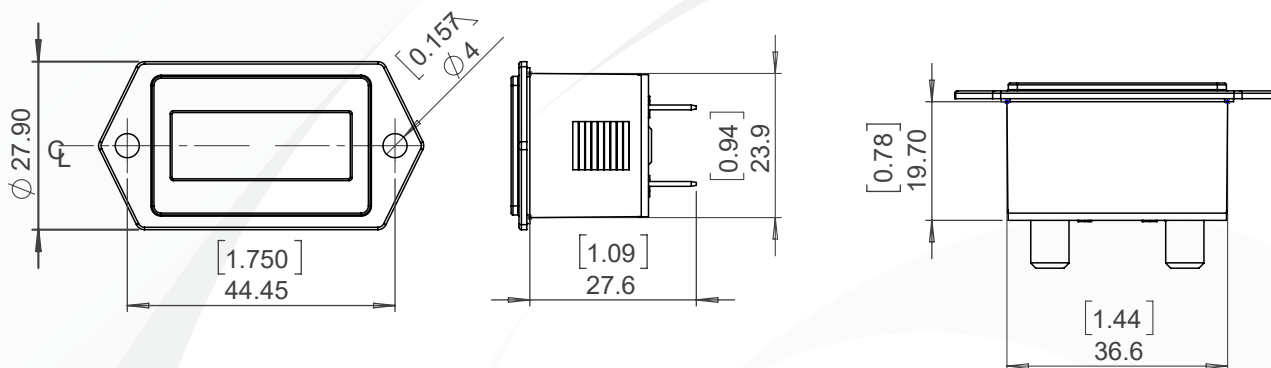


Suitable for all types of liftgate

Specifications

Display	LCD with large 0.28" [7mm] high figures black on light background	Environmental	
Reset	Remote and non-reset.	Operating Temp	-10°C to +60°C [14°F to +140°F]
Accuracy	100% [provided signal meets stated parameters]	Storage Temp	-20°C to +70°C [-4°F to +158°F]
Displays	8 digits (99999999)	Humidity	95% RH per SAE J1378
Inputs	4-30VDC	Shock	44 to 55g's per SAE J1378
Power	Self-powered battery life 10+ years	Dielectric	1000VAC 50/60 Hz for 1 minute
Terminations	Standard 0.250" [6.4mm] spades	Compliance	to European WEEE and RoHS Directives
Approvals	CE, SAE, NEMA 4/4X/IP66 compliant	Sealing	Totally sealed
Enclosure	Totally sealed from moisture and dirt. NEMA 4/4X, 12 & IP66 compliant from the front when properly mounted using the optional gasket.	EMC Compliance	EN61326
		Weight	1 oz. [28g]

Dimensions



Part Numbers

Part Number
3400-GATE
3400-XXXX

Description

DC Counter 2-hole case 1/4" spade terminal non-reset
Custom Option

