

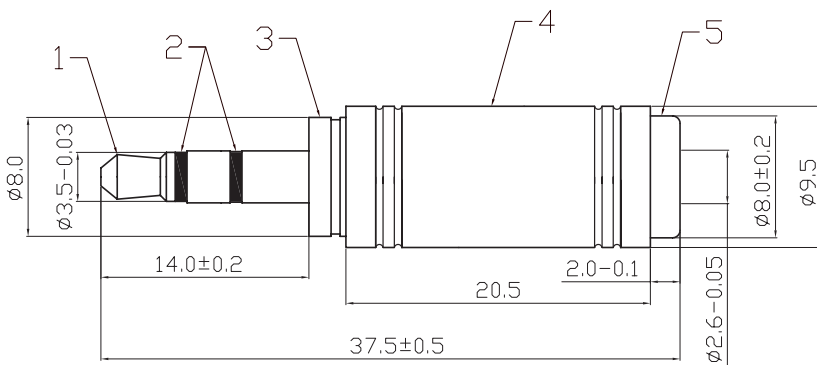
3.5mm Stereo Plug to 2.5mm Stereo Jack



Specifications

Inter Series Connector A	: Stereo - 2.5mm
Convert From Positions	: 3 Ways
Convert From Gender	: Jack
Inter Series Connector B	: Stereo - 3.5mm
Convert To Positions	: 3 Ways
Convert To Gender	: Plug

Diagram



Item	Designation	Material	
1	Front Point	Brass	Gold
2	Dielectric	POM	-
3	Copper Head	Brass	Gold
4	Shell	Brass	Chrome
5	3.5mm Mono Jack	Brass	Gold

Part Number Table

Description	Part Number
3.5mm Stereo Plug to 2.5mm Stereo Jack	PSG03881

Dimensions : Millimetres

Important Notice : This data sheet and its contents (the "Information") belong to the members of the AVNET group of companies (the "Group") or are licensed to it. No licence is granted for the use of it other than for information purposes in connection with the products to which it relates. No licence of any intellectual property rights is granted. The Information is subject to change without notice and replaces all data sheets previously supplied. The Information supplied is believed to be accurate but the Group assumes no responsibility for its accuracy or completeness, any error in or omission from it or for any use made of it. Users of this data sheet should check for themselves the Information and the suitability of the products for their purpose and not make any assumptions based on information included or omitted. Liability for loss or damage resulting from any reliance on the Information or use of it (including liability resulting from negligence or where the Group was aware of the possibility of such loss or damage arising) is excluded. This will not operate to limit or restrict the Group's liability for death or personal injury resulting from its negligence. pro-SIGNAL is the registered trademark of Premier Farnell Limited 2019.