

HC882



When precision matters.®

HC882 Dual-band Helical Antenna + L-band

Frequency Coverage: GNSS/QZSS-L1/L2, GLONASS-G1/G2/G3, Galileo-E1/E5b, BeiDou-B1/B2 + L-band correction services

The HC882 helical antenna is designed and crafted for precision positioning, covering the GPS/QZSS-L1/L2, GLONASS-G1/G2/G3, Galileo-E1/E5b, and BeiDou-B1/B2 frequency bands, including the satellite-based augmentation system (SBAS) available in the region of operation [WAAS (North America), EGNOS (Europe), MSAS (Japan), or GAGAN (India)], as well as L-band correction services.

Weighing only 42 g, The HC882 features a precision-tuned helix element that provides excellent axial ratios and operates without the requirement of a ground plane, making it ideal for a wide variety of applications, including unmanned aerial vehicles (UAVs).

The HC882 features an industry-leading low current, low-noise amplifier (LNA) that includes an integrated low-loss pre-filter to prevent harmonic interference from high-amplitude signals, such as 700 MHz band LTE and other nearby in-band cellular signals.

All Tallysman® helical antenna elements are protected by a robust military-grade IP67-compliant plastic enclosure. The enclosure's base provides two threaded inserts for secure attachment, as well as a rubber O-ring around the outer edge to seal the antenna base and its integrated SMA connector.

Tallysman®'s HC882 has passed a rigorous 30-hour vibration test procedure, consisting of five cycles of 2-hour tests per axis (x, y, z):

- Cycle 1: 1.05 Grms;
- Cycle 2: 1.20 Grms;
- Cycle 3: 1.35 Grms;
- Cycle 4: 3.67 Grms;
- Cycle 5: 3.67 Grms.



Applications

- Autonomous unmanned aerial vehicles (UAVs)
- Precision GNSS positioning
- Precision land survey positioning
- Mission-critical GNSS timing
- Network timing and synchronization
- Sea and land container tracking
- Fleet management and asset tracking
- Marine and avionics systems
- Law enforcement and public safety

Features

- Very low noise preamp: 1.6 dB typ
- Axial ratio: ≤ 0.5 dB at zenith
- LNA gain 28 dB typ. or 35 dB typ.
- Low current: 15 mA typ. or 21 mA typ.
- ESD circuit protection: 15 kV
- Invariant performance from 2.2 to 16 VDC
- IP67, REACH, and RoHS compliant

Benefits

- Extremely lightweight (42 g)
- Ideal for RTK and PPP surveying systems
- Excellent RH circular polarized signal reception
- Great multipath rejection
- Increased system accuracy
- Excellent signal-to-noise ratio
- Industrial temperature range
- Rugged design, ideal for harsh environments

About Tallysman: With global headquarters and manufacturing in Ottawa, Canada, Tallysman is a leading manufacturer of high-precision antennas and components for Global Navigation Satellite System (GNSS) applications. Tallysman's mission is to support the needs of a new generation of positioning systems by delivering unprecedented antenna precision at competitive prices. Learn more at www.tallysman.com

Revision: 1.0

Contact us:
info@tallysman.com
T: +1 613 591-3131

HC882 Dual-band Helical Antenna + L-band

Frequency Coverage: GNSS/QZSS-L1/L2, GLONASS-G1/G2/G3, Galileo-E1/E5b, BeiDou-B1/B2 + L-band correction services

Antenna

Technology Triple-frequency, RHCP quadrifilar Helix

		Gain	Axial Ratio
		dBic typ. at Zenith	dB at Zenith
GNSS			
GPS / QZSS	L1	2.5	≤ 0.5
	L2	2.7	≤ 0.5
	L5	-	-
GLONASS	G1	1.5	≤ 0.5
	G2	2.0	≤ 0.5
	G3	1.0	≤ 0.5
Galileo	E1	2.5	≤ 0.5
	E5a	-	-
	E5b	1.0	≤ 0.5
	E6	-	-
BeiDou	B1	2.5	≤ 0.5
	B2	1.1	≤ 0.5
	B2a	-	-
	B3	-	-
IRNSS / NavIC	L5	-	-
QZSS	L6	-	-
L-band correction services		1.5	≤ 0.5
Satellite Communications			
Iridium		-	-
Globalstar		-	-
Phase Centre			
Phase Centre Variation (PCV)		± 3.0 mm (all freq.)	
Phase Centre Offset (PCO)		34 mm @ L1 38 mm @ L2/E5b	

Mechanicals

Mechanical Size	44.2 mm (dia.) x 62.4 mm (h.)
Weight	42 g
Available Connectors	SMA
Radome / Enclosure	Radome and Base: EXL9330
Mount	3 M2.5 screws

Environmental

Operating Temperature	-40 °C to +85 °C
Storage Temperature	-50 °C to +95 °C
Random Vibration	MIL-STD-810E - Test method 514.5 4 hours per axis (x, y, z) at 3.674 Grms
Shock and Drop	-
Salt Fog	-
IP Rating (housing)	IP67
Compliance	IPC-A-610, FCC, RED / CE Mark, RoHS, REACH

Warranty:

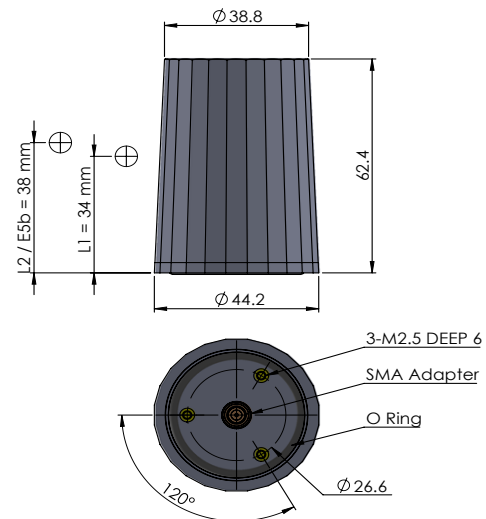
Parts and Labour	3-year standard warranty
------------------	--------------------------

Low Noise Amplifier (LNA) - Measured at 3.0 VDC and 25°C

Frequency Bandwidth	Out-of-Band Rejection
Lower Band	1192 - 1255 MHz > 63 dB @ < 1000 MHz > 38 dB @ < 1100 MHz > 30 dB @ < 1130 MHz
L-band corrections services	1539 - 1559 MHz
Upper Band	1559 - 1606 MHz > 36 dB @ < 1400 MHz > 44 dB @ < 1450 MHz > 28 dB @ > 1700 MHz

Architecture	Pre-filter → LNA
Gain	28 dB typ. or 35 dB typ.
Noise Figure	2.0 dB typ.
VSWR	< 1.5:1 typ. 1.8:1 max.
Supply Voltage Range	2.2 to 16 VDC
Supply Current	15 mA (28 dB gain) 21 mA (35 dB gain)
ESD Circuit Protection	15 kV air discharge
P 1dB Output	-
Group Delay Variation	-

Mechanical Diagram



Ordering Information

Part Number **33-HC882-xx**

where xx = gain (28 or 35 dB)

Please refer to our **Ordering Guide** to review available radomes and connectors at: <https://www.tallysman.com/resource/tallysman-ordering-guide/>