

Technical Specifications



Max. Input Voltage	: 125V AC
Nominal Input Frequency	: 60Hz
Max. Output Power (Watts)	: 1875W
Max. Line Current (Amps)	: 15A
Joules	: 300J, 600J,
UL1449 VPR Rating	: 500V (L-N) TYPE 3 SPD
Certifications	: ETL & CETL Listed
Standard	: UL498A, UL1449
Product Colour	: Any Colour (Top and Bottom)
Housing Material	: ABS / Plastic UL94V-0
Enclosure Containment Design	: Screws
Outlet Design	: NEMA 5-15R, 1 hole grounded
Plug Design	: NEMA 5-15P
AC Outlet (Total Number)	: 1 Outlet
Transformer Outlet	: NA
Safety Covers	: NA

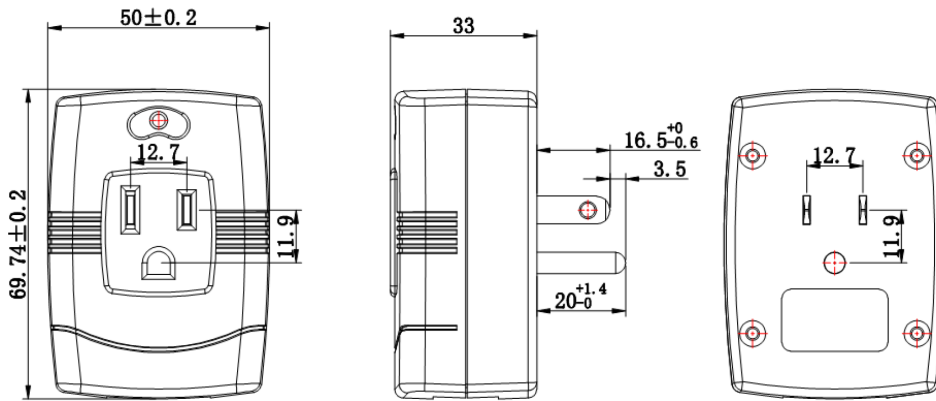
Surge Protection and Filtering (Surge Part)

Surge Indicator	Red LED Indicator	Indicators to know whether it is protected. The indicator light turns red to know your equipment is secure.
Ground Indicator	NA	
Max Spike Voltage	6000V	
Maximum Surge Current	3000A	
Clamping Response Time	< 1 nanosecond	
Noise Filtering Level (max dB)	150kHz to 100MHz up to 40dB	An EMI/RFI filter reduces AC line noise and radio frequency interference.
EMI/RFI (X-Cap)	Yes	
Phone Line Protection	1 IN/1 OUT	
Coaxial Line Protection	NA	
Network Line Protection	NA	

Environmental Specifications

Operating Temperature	: -0°C to +40°C
Conditions of Operation	: Indoor only

Diagram



Manufacturing and Production-Line Test Requirements

Electrical Test			
Max Input voltage		Rated 1 minute	132V AC, No damage
Receptacle / Outlet mechanical test (Sampling)			
Withdraw force	after 10 insertion	w 3 prongs plug	15LB Max
Retention force	cycles	w 2 prongs plug	3LB, 1 Minute, Displacement < 2 mm
Safety test			
Hi Pot test		1250V AC	1 Minute, No breakdown
Leakage current test		N to G, L to G	0.5mA Max.
Insulation resistance		AC input to USB O/P	100mΩ Max.

Part Number Table

Description	Part Number
Surge Protector, 1 Outlets, NEMA 5-15R, 15A, 125V	28-21460

Important Notice : This data sheet and its contents (the "Information") belong to the members of the AVNET group of companies (the "Group") or are licensed to it. No licence is granted for the use of it other than for information purposes in connection with the products to which it relates. No licence of any intellectual property rights is granted. The Information is subject to change without notice and replaces all data sheets previously supplied. The Information supplied is believed to be accurate but the Group assumes no responsibility for its accuracy or completeness, any error in or omission from it or for any use made of it. Users of this data sheet should check for themselves the Information and the suitability of the products for their purpose and not make any assumptions based on information included or omitted. Liability for loss or damage resulting from any reliance on the Information or use of it (including liability resulting from negligence or where the Group was aware of the possibility of such loss or damage arising) is excluded. This will not operate to limit or restrict the Group's liability for death or personal injury resulting from its negligence. Multicomp Pro is the registered trademark of Premier Farnell Limited 2019.