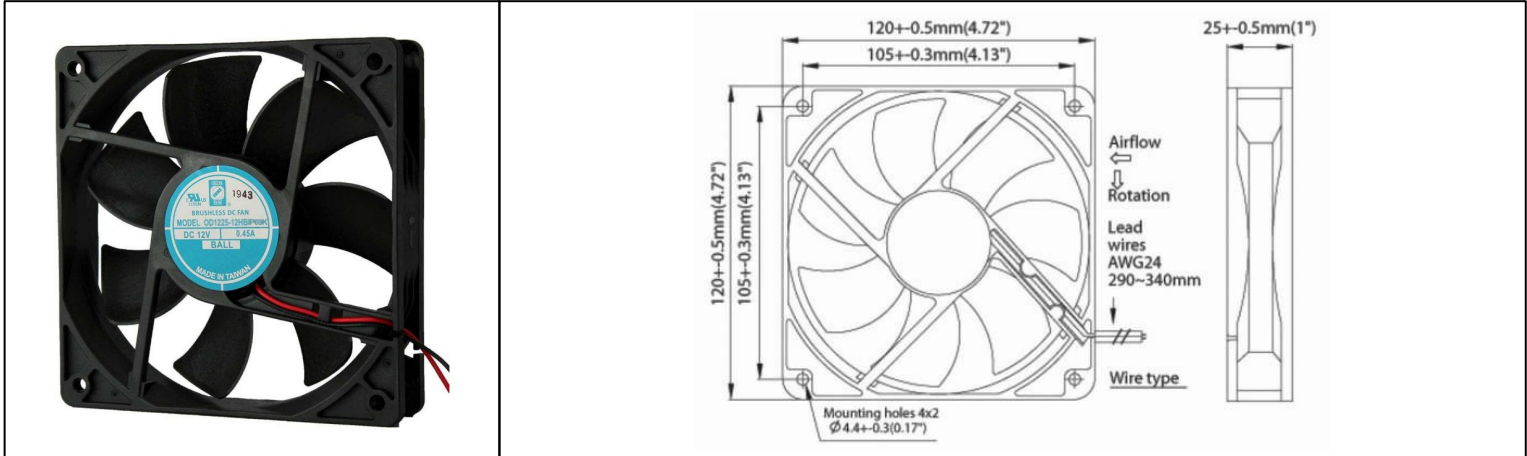


OD1225-IP69K Series



DC Fan - 12V, 24V, 48V
120x25mm (4.7"x1.0")



Frame	PBT, UL94 V-0 plastic	Operating Temperature -20°C ~ +65°C Storage Temperature -20°C ~ +75°C Life Expectancy 60,000 hours (L10 at 35°C) Available Options Tachometer Alarm PWM 5V Weight: 0.34 lbs m0	
Impeller	PBT, UL94 V-0 plastic		
Connection	2x Lead Wires, 24 AWG		
Motor	Brushless DC, Auto Restart, Auto Cutoff, Polarity Protected, Electronically Protected, IP69K		
Bearing System	Dual Ball Bearings		
Dielectric Strength	500VAC/min		
Insulation Resistance	10M ohm between leadwires and frame (500 VDC)		

Part Number	Rated Voltage	Input Power	Rated Current	Rated Speed (RPM)	Airflow (CFM)	Noise Level (dB)	Max. Static Pressure
OD1225-12HBIP69K	12 VDC	5.4 W	0.45 A	3100	120	42	0.24" H ₂ O
OD1225-24HBIP69K	24 VDC	7.7 W	0.32 A	3100	120	42	0.24" H ₂ O
OD1225-48HBIP69K	48 VDC	4.5 W	0.09 A	3100	120	42	0.24" H ₂ O