

## Identification ties and plates for marking cable bundles : IT50R

Cable Tie with Marker Plate 203x28 natural

Article number: 111-85000



### Features

- Identification ties made of Polyamide 6.6
- For simple identification and securing of cable bundles in one step
- Printable labels are available for a professional finish
- Manual or temporary marking is possible with an indelible pen (T82S-BK / T82R-RD)

### Certifications & Approvals



### Application

One of the major benefits is the ability to both secure and identify cable bundles at different times.

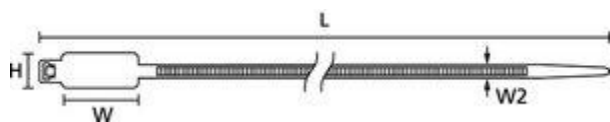
**More products in this product group**

## Identification ties and plates for marking cable bundles >

### Base Data

Application Tool	MK3PNSP2, MK3SP, MK6, MK7HT, MK7P, MK20, MK21, EVO7, EVO9, EVO9HT
Colour	Natural (NA)
Fixation Method	Others
Identification Plate Position	attached to bundle
Local order number	IT50.NN3P
Pack Cont.	100 pcs.
Package Quantity per	Bag
PART DESCRIPTION	IT50R-PA66-NA
Product Family	IT Ties
Product Group	Identification ties and plates for marking cable bundles
Recommended Labels	TAG23-10TD1
Releasable Closure (Yes/No)	No
Short Description	Cable Tie with Marker Plate 203x28 natural
Tie Closure	plastic pawl
Variant	Inside Serrated
With label space	Yes

### Product Dimensions



Bundle $\varnothing$ max.	44.50 mm
Bundle $\varnothing$ min.	9.50 mm
Height (H)	12.90 mm
Length (L)	203.0 mm
Min.Tensile Strength	225 N
Outside $\varnothing$ max (OD max.)	44.50 mm
Outside $\varnothing$ min. (OD min.)	9.50 mm
Width (W)	28.00 mm
Width (W2)	4.60 mm

### Material and Specifications

Flammability	UL 94 V2
Halogenfree	Yes
Material	Polyamide 6.6 (PA66)

Operating Temperature - °C -40 °C to +85 °C

Specifications



Specifications ANSI/UL 1565, ANSI/UL 62275, ANSI/UL 746B

UL OCD link [Link](#)

UL Recognized (US and Canada) Yes

UL-File Number E64963

## Logistics and Packaging



## More Information



ETIM 6.0 EC001530

ETIM 7.0 Key EC001530

## Accessories



### MK3SP

110-03500

Manual Tensioning Tool with Metal Housing

### EVO9HT

110-80017

Manual tensioning tool plastic housing

### MK21

110-21016

Manual tensioning tool for cable ties, simple version

### EVO7SP

110-70130

Manual Tensioning Tool Plastic Housing

### MK7P

110-07100

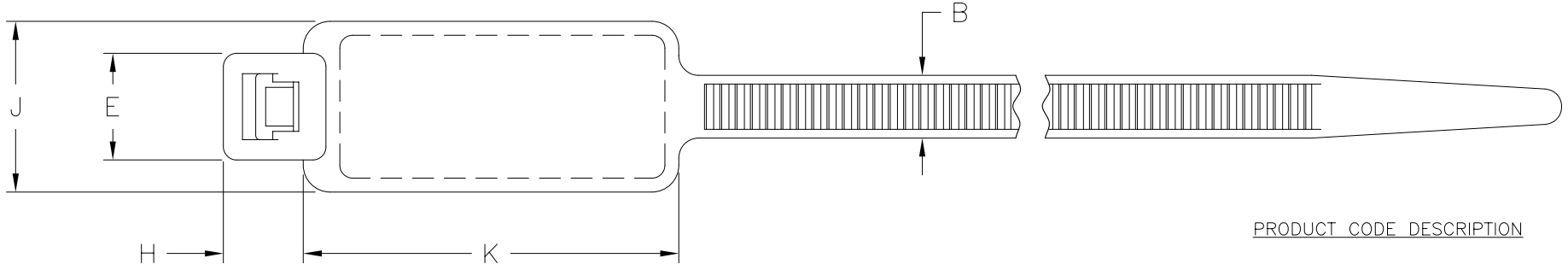
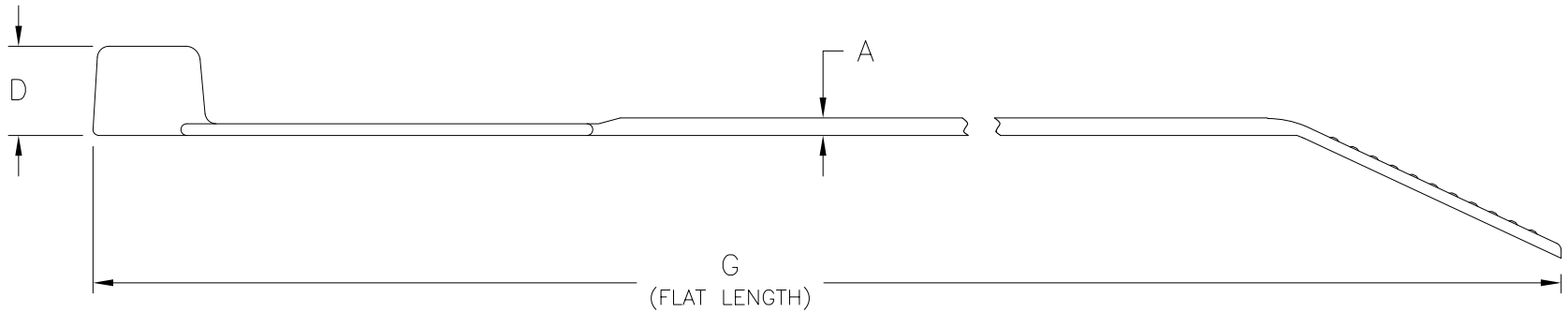
Pneumatic Tensioning Tool with Plastic Housing

### MK20

110-20006

Manual tensioning tool for cable ties, simple version

Revision level		Revision Record	Changed	Date	Approved	Date
part	drawing					
-	03					



PRODUCT CODE DESCRIPTION  
 IT50R\_UV  
 COLOR  
 (CONSULT FACTORY FOR AVAILABLE COLORS)

AEROSPACE SPEC SAE AS33681-1A	Product Code	Cable Range (mm)	Material	A	B	D	E	G	H	J	K
yes	IT50R_	9.5 to 44.5	PA66	1.2 ±0.2	4.6 ±0.2	5.9 ±0.2	8.0 ±0.5	203.0 ±5.0	6.3 ±0.5	12.9 ±0.2	28.0 ±0.5
-	IT50R_UV		PA66UV								

SEE CHART

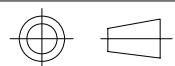
Material 03

Dimension tolerances unless otherwise specified  
 .XXXX =  
 .XXX =  
 .XX =  
 .X = NOTED  
 < =

Dimension Units mm

PERFORMANCE SPECIFICATION

ACAD 2004



Drawn G. GEIGER 10/10/91  
 Approved K.A.C. 06/11/04

Scale 2:1  
 Computer File Number CT\CST\2050015\_03

ALL PROPRIETARY RIGHTS IN THE SUBJECT MATTER SHOWN ON THIS DRAWING ARE EXCLUSIVE PROPERTY OF HELLERMANN TYTON

**HellermannTyton®**

7930 N. Faulkner Rd.  
 Milwaukee, WI 53224  
 Ph: (414) 355-1130  
 Fx: (414) 362-8338

**IT50R  
 IDENTIFICATION TIE**

Drawing-No **CT2050015CST**  
 Format AH  
 Sheet 1 of 1