

Product Change Notice

Issue Date: 06-April-2021

Change Description:

Change of manufacturer location, change of product packing

Parts Affected:

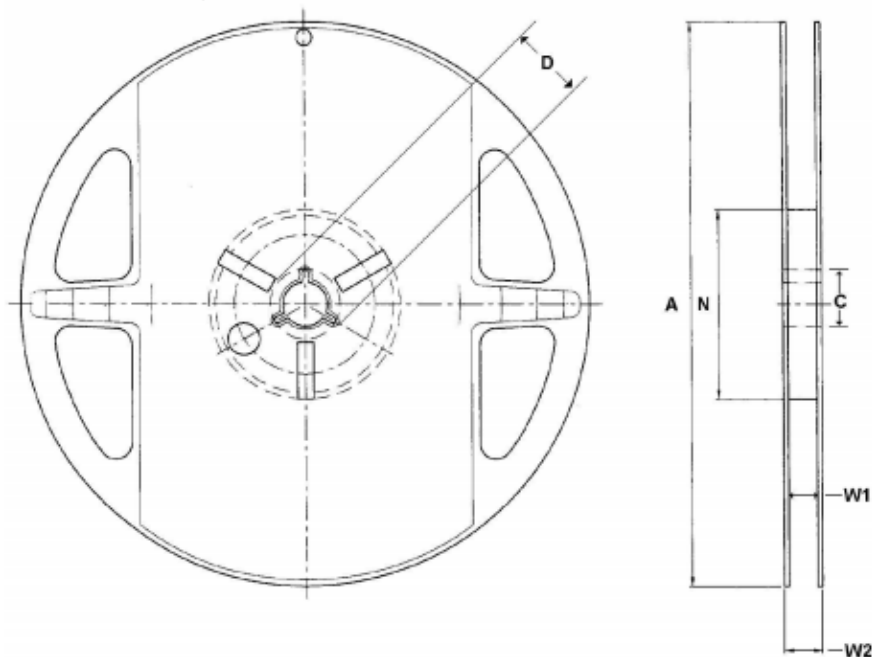
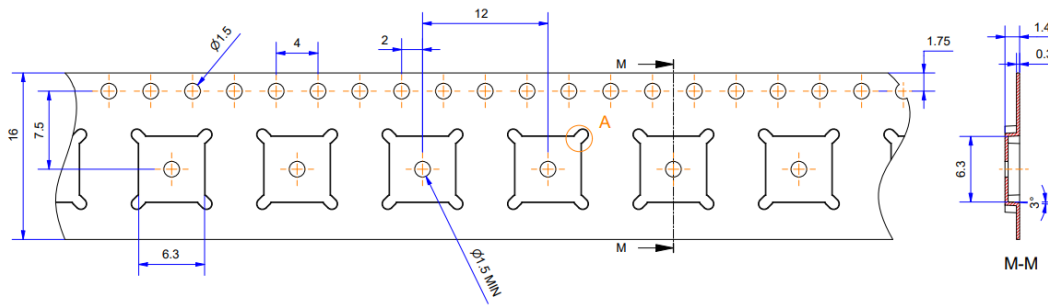
AFBR-S4N66C013

AFBR-S4N44C013

Description and Extent of Change:

1. Activate additional manufacturing location.
2. Change product packing from waffle packing to reel packing:

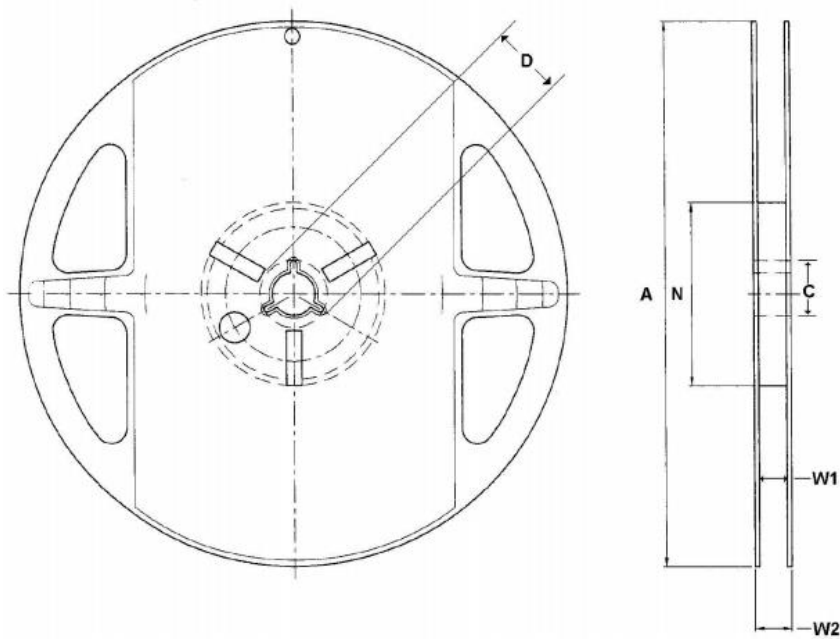
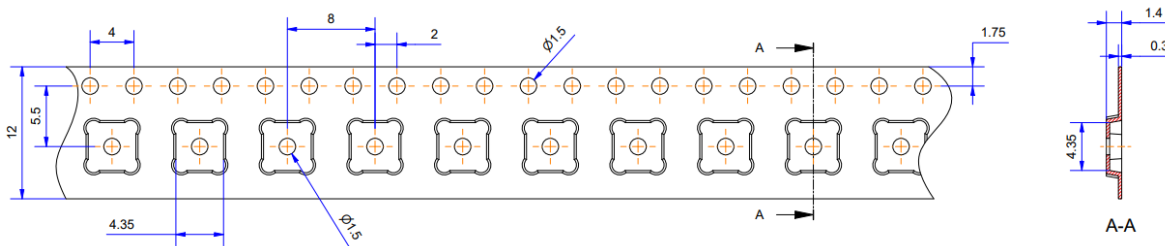
AFBR-S4N66C013



Dimensions For Assembled EcoReel (All dimensions in mm)						
Tape Width	A (Diameter)	C	D (min)	N Hub	W1	W2 (max)
16	178 +/-1.0	13.5 +/-0.5	20.2	60 +0.1/-0.0	17 +/-0.5	19.5
All Other Dimensions and Tolerances are Fully Compliant With EIA 481-E						

Each tape and reel contains 200 units.

AFBR-S4N44C013



Dimensions For Assembled EcoReel (All dimensions in mm)						
Tape Width	A (Diameter)	C	D (min)	N Hub	W1	W2 (max)
12	178 +/-1.0	13.5 +/-0.5	20.2	60 +0.1/-0.0	13 +/-0.5	15.5
All Other Dimensions and Tolerances are Fully Compliant With EIA 481-E						

Each tape and reel contains 500 units.



Reasons for Change:

Improved security of delivery performance and improved product lead time with additional manufacturing location. Enable customers to use standard automated SMD-placement systems.

Effect of Change on Fit, Form, Function, Quality, or Reliability:

No change on final product Fit, Form, Function, Quality or Reliability. Reliability qualification will be performed to ensure continued quality of the product.

Effective Date of Change:

Product shipments using this change will begin after 07/15/2021. Timing of shipment of the changed part will vary by part number depending on qualification completion, customer demand, and inventory levels.

Please contact your Broadcom field sales engineer or Contact Center for any questions or support requirements. Please return any response as soon as possible, but not to exceed 30 days.