

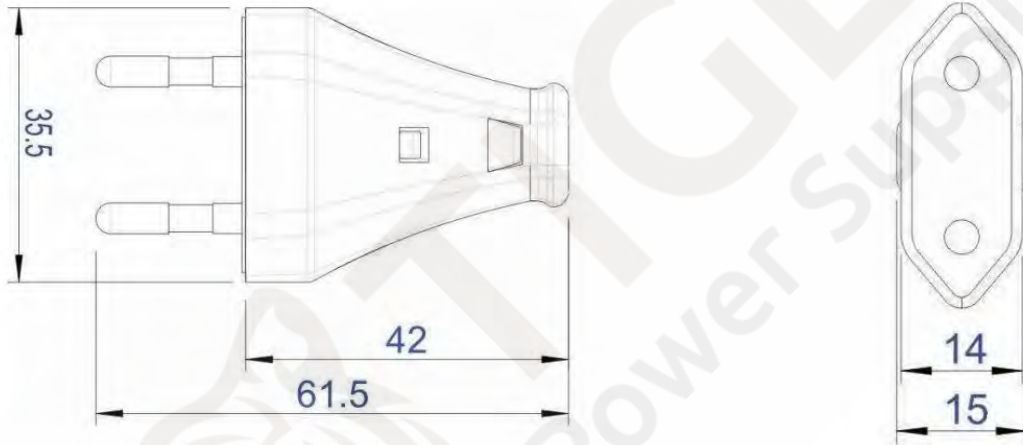
2 PIN EURO REWIREABLE



TIGER PART: EU-RW-2P

Features:

- Fast Fit Crimp Terminals
- Safety Approved
- 2.5A rated
- 250Vac Voltage Rating
- Also available in White (see page 2) as part EU-RW-2P-W
- Assembly instructions on page 2



This photo shows how the rewirable Euro plug looks open before assembly. We recommend fitting the multi strand cable with bootlace ferrules before placing into the crimp terminals to help ensure best connection and security

TIGER POWER PRODUCTS – QUALITY & RELIABILITY

This specification is not for general release or circulation. Tiger Power reserves the right to make changes to spec. or product without notice or liability.

2 PIN EURO REWIREABLE



TIGER PART: EU-RW-2P-W

Professional assembly:

- Cut the Live (Brown) and Neutral (Blue) cables to the right length and strip the ends. We suggest cutting the outer sheath to 20mm and inner to 5mm
- Place the wire through the plastic outer cover and slide down the cable
- Twist the wires to make a neat tight end. For extra security and reliability we recommend fitting a bootlace ferrule to the end of each wire as next step
- Fit the stripped ends of the Brown and Blue wires with a bootlace ferrule. Choose the bootlace ferrule according to your cable. We find E1008 1.7 x 14.4 x 3mm AWG18 worked well with our cable type
- Insert the wires with the bootlace ferrules fitted into the round receptacle holes, then squeeze the plastic outer for both the live and neutral connection with a pair of pliers to secure the bootlace ferrule inside.
- Slide the cover back up the wire and over the inner section to lock the cap. It will click into place



A professional assembly, pinch and / or crimp of the sleeves, is possible by using special pliers.



CRIMPED CONNECTIONS



COVER CLOSED DOWN

This specification is not for general release or circulation. Tiger Power reserves the right to make changes to spec. or product without notice or liability. All information is a guide only. Tiger Power Supplies cannot be held responsible for use of this and its recommended a professional electrician should be consulted

TIGER POWER PRODUCTS – QUALITY & RELIABILITY