

DATA SHEET

GAS DISCHARGE TUBES TELEPHONE INTERFACE

2R-3-S series

RoHS compliant & free



Product specification— February 02, 2021 V.1



Gas Discharge Tube (GDT) Data Sheet

Features

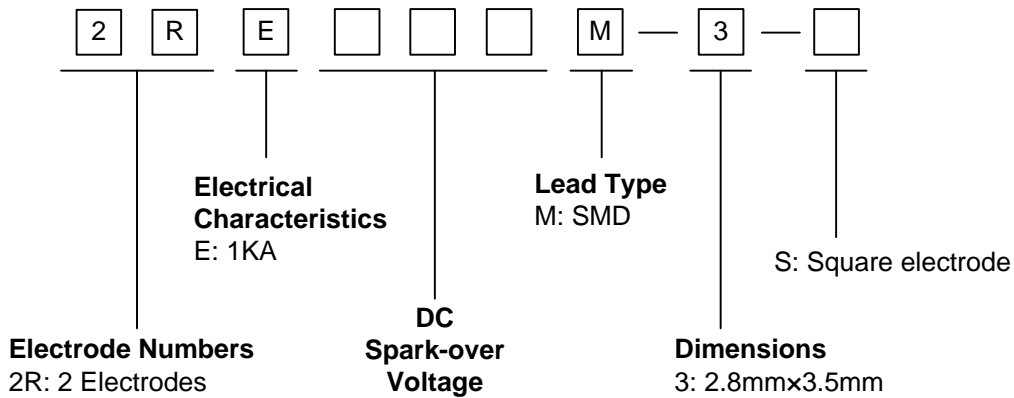
- Provide ultra-fast response to surge voltage from slow-rising surge of 100V/s to rapid-rising surge of 1KV/μs
- Stable breakdown voltage
- High insulation resistance
- Low capacitance (≤0.5pF)
- High holdover voltage
- Large absorbing transient current capability
- Micro-Gap Design
- Size: 2.8mm*3.5mm
- Storage and operational temperature: -40°C ~ +85°C
- Meets MSL level 1, per J-STD-020
- Safety certification: UL



Applications

- Repeaters, Modems.
- Telephone Interface, Line cards.
- Data communication equipment.
- Line test equipment

Part Number Code



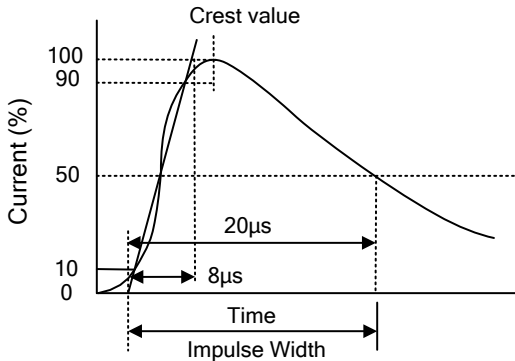
Dimensions

<p>M Type</p>	Dimension (mm)		
	Symbol	Spec.	Tolerance
	A	2.80	±0.20
	B	0.50	±0.10
	D	2.80	±0.20
T	3.50	±0.20	

Electrical Characteristics

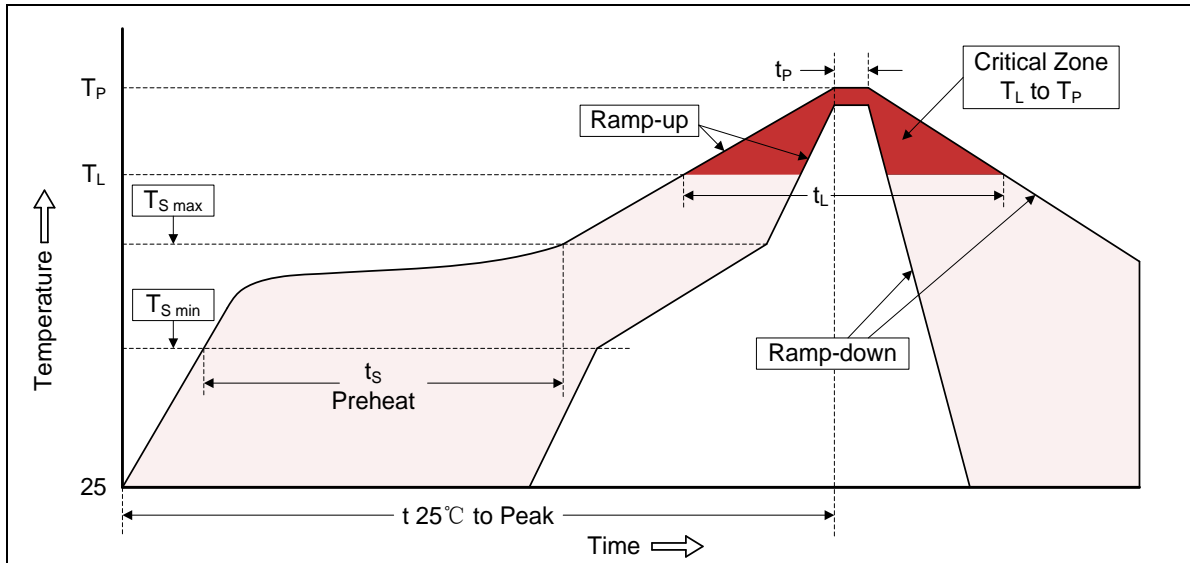
Part Number	DC Spark-over Voltage	Maximum Impulse Spark-over Voltage	Nominal Impulse Discharge Current	Impulse Life	Minimum Insulation Resistance		Maximum Capacitance	Device Marking Code
	100V/s	1000V/ μ s	8/20 μ s 10times	8/20 μ s 100A	Test Voltage	(G Ω)	1MHz	
	(V)	(V)	(KA)	(times)	DC(V)		(pF)	
2RE090M-3-S	90 \pm 20%	650	1	300	50	1.0	0.5	None
2RE200M-3-S	200 \pm 20%	700	1	300	100	1.0	0.5	None
2RE300M-3-S	300 \pm 20%	900	1	300	100	1.0	0.5	None
2RE400M-3-S	400 \pm 20%	1100	1	300	100	1.0	0.5	None
2RE500M-3-S	500 \pm 30%	1300	1	300	100	1.0	0.5	None

Electrical Ratings

Items	Test Condition/Description	Requirement
DC Spark-over Voltage	The voltage is measured with voltage ramp $dv/dt=100V/s$.	To meet the specified value
Maximum Impulse Spark-over Voltage	The maximum impulse spark-over voltage is measured with voltage ramp $dv/dt=1000V/\mu s$.	
Impulse Discharge Current	Maximum 8/20 μ s surge current that can be applied between two electrodes, 5 positive and 5 negative surges, with 3 minutes interval time. 	
Insulation Resistance	The resistance of gas tube shall be measured between two electrodes.	
Capacitance	The capacitance of gas tube shall be measured between two electrodes. Test frequency: 1MHz	

Recommended Soldering Conditions

Reflow Soldering



Profile Feature	Pb-Free Assembly
Average ramp-up rate (T_L to T_P)	3°C/second max.
Preheat -Temperature Min ($T_{S\ min}$) -Temperature Max ($T_{S\ max}$) -Time (min to max) (t_s)	150°C 200°C 60-180 seconds
$T_{S\ max}$ to T_L -Ramp-up Rate	3°C/second max.
Time maintained above: -Temperature (T_L) -Time (t_L)	217°C 60-150 seconds
Peak Temperature (T_P)	260°C
Time within 5°C of actual Peak Temperature (t_P)	20-40 seconds
Ramp-down Rate	6°C/second max.
Time 25°C to Peak Temperature	8 minutes max.

Packaging

Tape	Symbol	Dimension (mm)		
		Spec.	Tolerance	
	W	12.00	±0.20	
	P0	4.00	±0.10	
	P	8.00	±0.10	
	P1	2.00	±0.10	
	D	1.50	±0.10	
	E	1.75	±0.10	
	F	5.50	±0.10	
	A0	3.20	±0.10	
	B0	3.90	±0.10	
	K0	3.20	±0.10	
	t	0.40	±0.10	
	<p>Reel</p>	D	330.00	±2.00
		d	13.00	±0.50
		L	20.00	±2.00
t		2.00	±0.20	
		Quantity: 2500pcs		