

Panel Mount Socket

multicomp PRO

**RoHS
Compliant**



Specifications

Waterproof Rate : IP55

Electrical Characteristics

Temperature Range : -20°C to +80°C

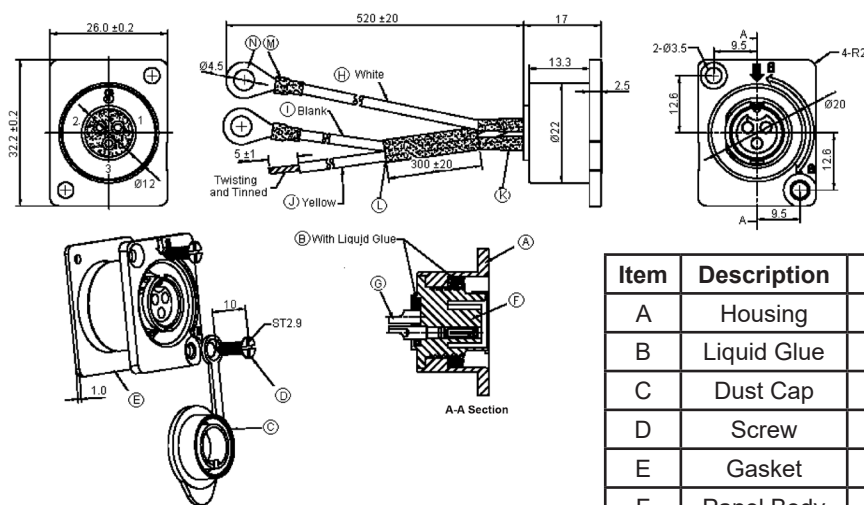
Current Rating : 10A

Dielectric Withstanding Voltage : 1000V AC for one minute

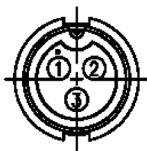
The torque of screwing 3.5 KGF maximum.

After 5000 cycles life test of dust cap without any fractures or cracks of the bad situation.

Diagram



PIN Assignments
Front View



Conn.	Wire Colour
1.	White
2.	Black
3.	Yellow

Item	Description	Material	Plating and Colour
A	Housing	Nylon + GF	Black
B	Liquid Glue	-	
C	Dust Cap	Hytrel 4056	N/A
D	Screw	Stainless Steel	Black
E	Gasket	EPDM 70°	
F	Panel Body	Nylon + GF	1µ inches Gold Plating Over Nickel Plating
G	Female Pin	Phosphor Bronze	
H	Wire	18AWG L : 520	
I			Black
J			Yellow
K	Shrink Tube	Ø3mm × 10mm	Black
L		Ø6mm × 300mm	
N		Ø4mm × 15mm	
M	Terminal	Ø4.5 × Ø8	Tin Plating

Part Number Table

Description	Part Number
Socket, Square Panel, 10A, 3 Way, IP55	2CT3020-W034A1

Dimensions : Millimetres

Important Notice : This data sheet and its contents (the "Information") belong to the members of the AVNET group of companies (the "Group") or are licensed to it. No licence is granted for the use of it other than for information purposes in connection with the products to which it relates. No licence of any intellectual property rights is granted. The Information is subject to change without notice and replaces all data sheets previously supplied. The Information supplied is believed to be accurate but the Group assumes no responsibility for its accuracy or completeness, any error in or omission from it or for any use made of it. Users of this data sheet should check for themselves the Information and the suitability of the products for their purpose and not make any assumptions based on information included or omitted. Liability for loss or damage resulting from any reliance on the Information or use of it (including liability resulting from negligence or where the Group was aware of the possibility of such loss or damage arising) is excluded. This will not operate to limit or restrict the Group's liability for death or personal injury resulting from its negligence. Multicomp Pro is the registered trademark of Premier Farnell Limited 2019.

Newark.com/multicomp-pro
Farnell.com/multicomp-pro
Element14.com/multicomp-pro

multicomp PRO