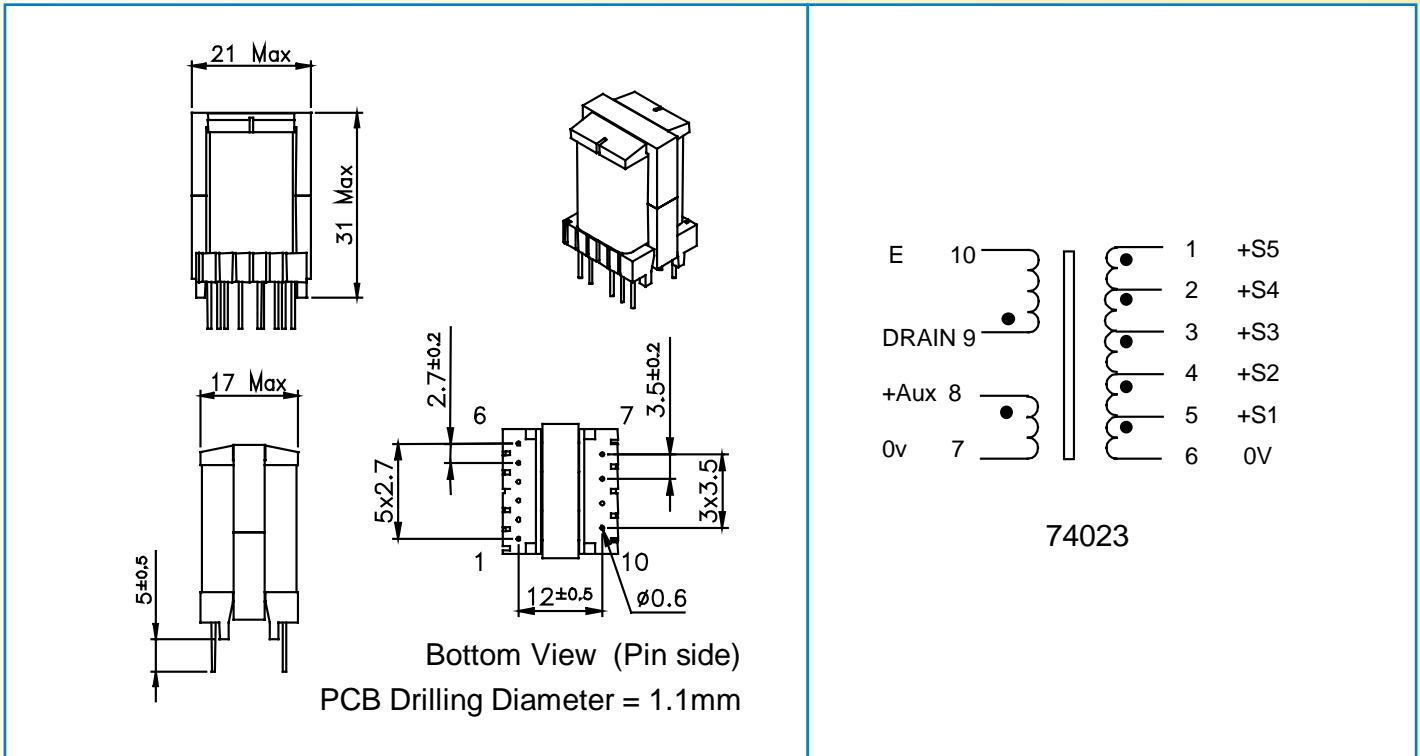


- Primary / Secondary Insulation  $\geq 4000V$
- Primary / Auxiliary Insulation  $\geq 1500V$
- Creepage distance Primary / Secondary  $\geq 6mm$
- Ambient temperature  $< 60^{\circ}C$
- Construction conforms to IEC950, IEC335, IEC61558 for reinforced insulation
- Exclusively uses UL94-V0 listed materials



MYRRA P / N	Output Power maximum	Windings					
			Pins	Turns	Voltage	Current maximum	Inductance (+/-10%)
74023	16 w	Pri	9 - 10	120	110 (VOR)	0.85 Apeak	1250µH
		Aux	8 - 7	17	15 Vdc	0.2 Adc	
		S1	5 - 6	4	3.3 Vdc	2 Adc	
		S2	4 - 6	6	5 Vdc	Sum S1+S2	
		S3	3 - 6	14	12 Vdc	0.8 Adc	
		S4	2 - 6	20	18 Vdc	0.8 Adc	
		S5	1 - 6	33	30 Vdc	0.2 Adc	

Examples of application with Integrated Circuits :

MYRRA P / N	Control IC Manufacturer	Control IC P / N	Input voltage	Power	Frequency
74023	Power Integrations	TOP243P	185 - 265Vrms	16w	132kHz
	Power Integrations	TOP243P	85 - 265Vrms	12w	132kHz