

2329914-1 ✓ ACTIVE

[Power Versa-Lock](#) | [Power Versa-Lock 5.0](#)

TE Internal #: 2329914-1

Power Versa-Lock 5.0, Power Contacts, Contact, Operating Voltage 600 VAC, Operating Voltage 600 VDC, Pre-Tin, 20 – 18AWG Wire Size

[View on TE.com >](#)



Connectors > Power Connectors > Power Contacts



Power Contact Type: **Contact**

Operating Voltage: **600 VDC**

Contact Mating Area Plating Material: **Pre-Tin**

Wire Size: **20 – 18 AWG**

Features

Product Type Features

Power Contact Type	Contact
Connector System	Wire-to-Wire
Sealable	Yes
Connector & Contact Terminates To	Wire & Cable

Electrical Characteristics

Continuous Current Rating	8 A
Operating Voltage	600 VDC

Contact Features

Contact Mating Area Plating Material	Pre-Tin
Contact Current Rating (Max)	8 A
Contact Type	Receptacle
Contact Retention Within Housing	Without
Mating Tab Width	1.5 mm[.06 in]
Mating Tab Thickness	.05 mm[.02 in]
Contact Base Material	Copper Alloy
Wire Contact Termination Area Plating Material	Pre-Tin
Contact Orientation	Straight

Termination Features



Termination Method to Wire & Cable	Crimp
------------------------------------	-------

Mechanical Attachment

Carrier Strip Mount Orientation	Side Feed
---------------------------------	-----------

Connector Mounting Type	Panel Mount
-------------------------	-------------

Wire Insulation Support	With
-------------------------	------

Dimensions

Wire Size	.5 – .8 mm ²
-----------	-------------------------

Accepts Wire Insulation Diameter Range	1.7 – 2.8 mm [.067 – .11 in]
--	------------------------------

Usage Conditions

Operating Temperature Range	-30 – 105 °C [-22 – 221 °F]
-----------------------------	-----------------------------

Operation/Application

Circuit Application	Power
---------------------	-------

Packaging Features

Packaging Method	Reel
------------------	------

Other

Wire/Cable Type	Discrete Wire
-----------------	---------------

Wire Type	Stranded
-----------	----------

For Use With	Plug Housing, Rear Seal
--------------	-------------------------

Product Compliance

[For compliance documentation, visit the product page on TE.com>](#)

EU RoHS Directive 2011/65/EU	Compliant
------------------------------	-----------

EU ELV Directive 2000/53/EC	Compliant
-----------------------------	-----------

China RoHS 2 Directive MIIT Order No 32, 2016	No Restricted Materials Above Threshold
---	---

EU REACH Regulation (EC) No. 1907/2006	Current ECHA Candidate List: JAN 2021 (211) Candidate List Declared Against: JAN 2021 (211) Does not contain REACH SVHC
--	---

Halogen Content	Low Halogen - Br, Cl, F, I < 900 ppm per homogenous material. Also BFR/CFR/PVC Free
-----------------	---

Solder Process Capability	Not reviewed for solder process capability
---------------------------	--

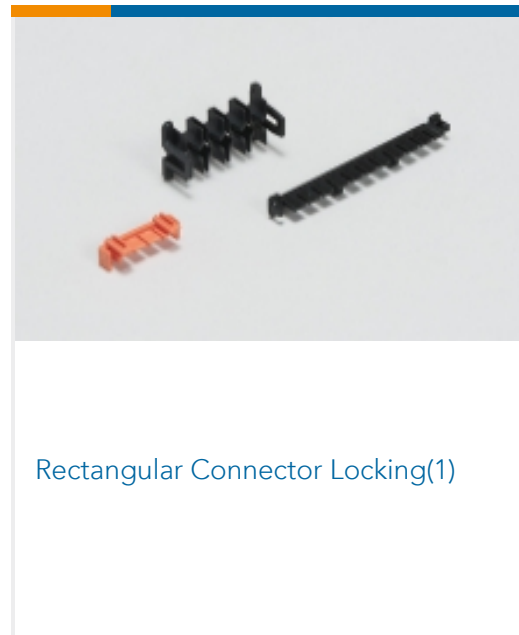
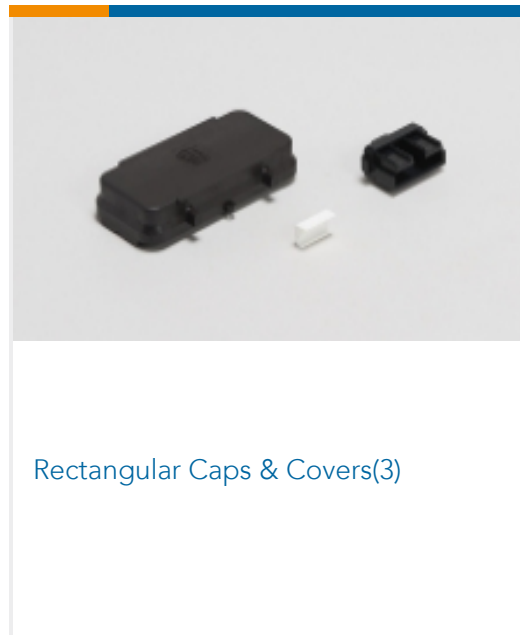
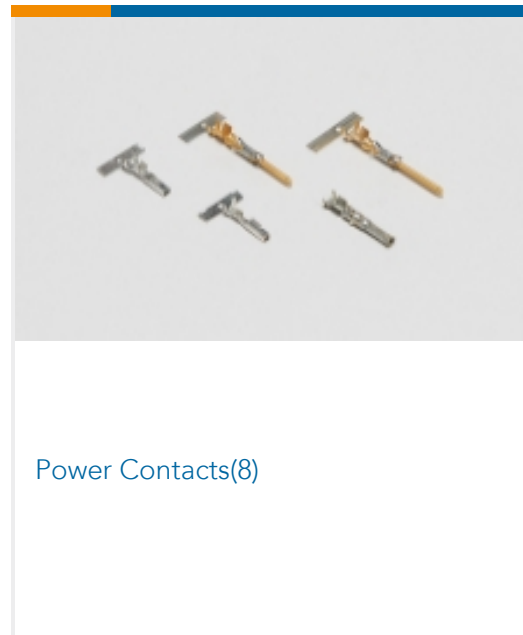
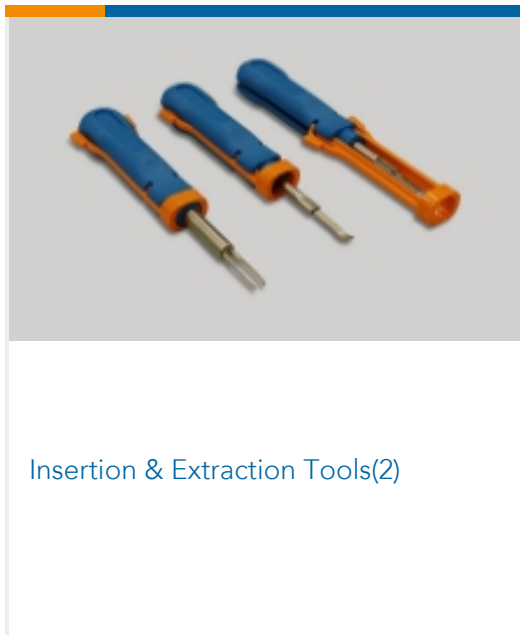
This information is provided based on reasonable inquiry of our suppliers and represents our current actual knowledge based on the information they provided. This information is subject to change. The part numbers that TE has identified as EU RoHS compliant have a maximum concentration of 0.1% by weight in homogenous materials for lead, hexavalent chromium, mercury, PBB, PBDE, DBP, BBP, DEHP, DIBP, and 0.01% for cadmium, or qualify for an exemption to these limits as defined in the Annexes of Directive 2011/65/EU (RoHS2). Finished electrical and electronic equipment products will be CE marked as required by Directive 2011/65/EU. Components may not be CE marked. Additionally, the part numbers that TE has identified as EU ELV compliant have a maximum concentration of 0.1% by weight in homogenous materials for lead, hexavalent chromium, and mercury, and 0.01% for cadmium, or qualify for an exemption to these limits as defined in the Annexes of Directive 2000/53/EC (ELV). Regarding the REACH Regulation, the information TE provides on SVHC in articles for this part number is based on the latest European Chemicals Agency (ECHA) 'Guidance on requirements for substances in articles' posted at this URL: <https://echa.europa.eu/guidance-documents/guidance-on-reach>

Compatible Parts

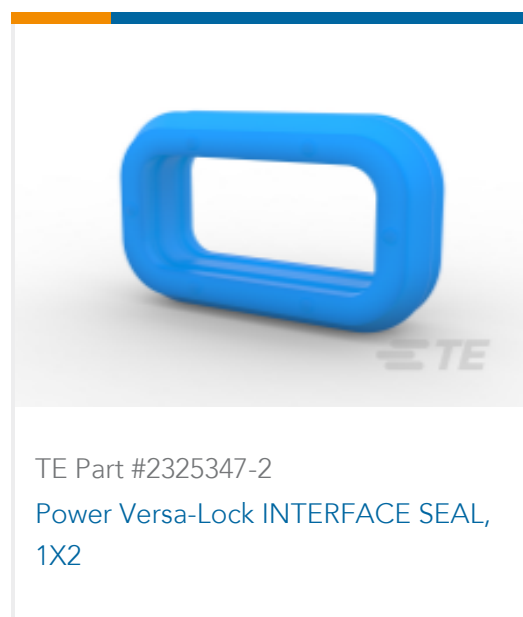
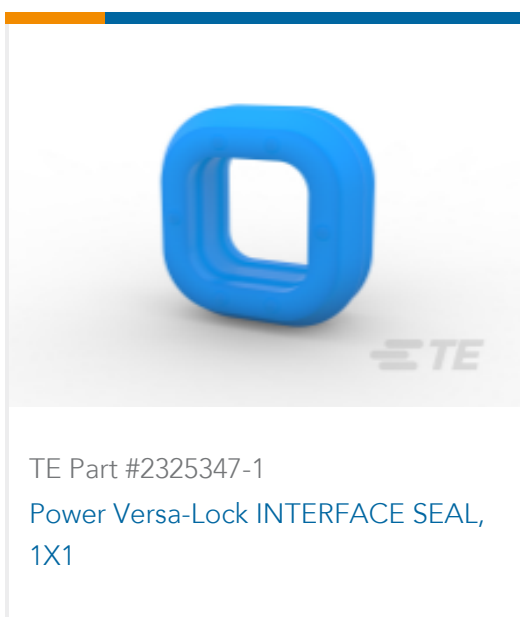
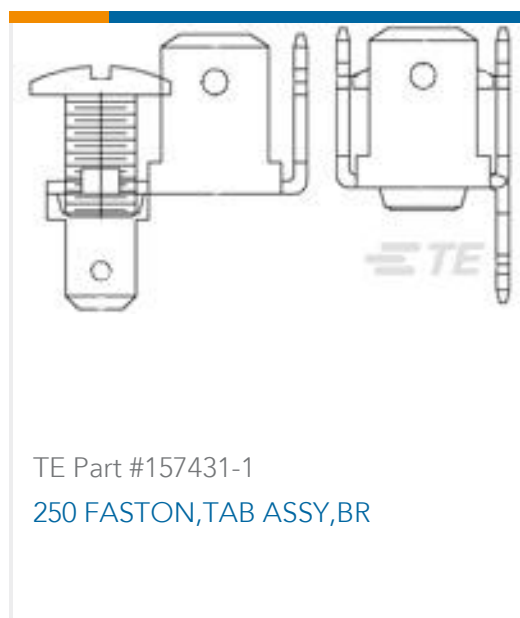
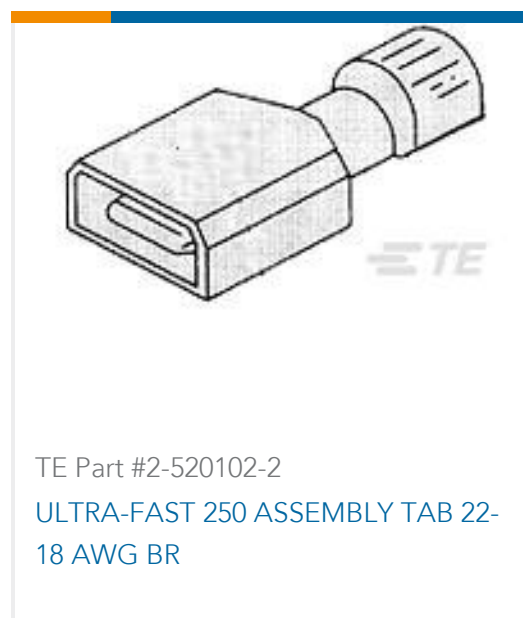




Also in the Series | Power Versa-Lock 5.0



Customers Also Bought





Documents

CAD Files

3D PDF

3D

Customer View Model

[ENG_CVM_CVM_2329914-1_A.2d_dxf.zip](#)

English

Customer View Model

[ENG_CVM_CVM_2329914-1_A.3d_igs.zip](#)

English

Customer View Model

[ENG_CVM_CVM_2329914-1_A.3d_stp.zip](#)

English

By downloading the CAD file I accept and agree to the [Terms and Conditions](#) of use.

Product Specifications

Engineering Report

English

Product Environmental Compliance

Product Compliance

English

Product Compliance

English

Instruction Sheets

Instruction Sheet (U.S.)

English