

TLE92104 APPKIT



About this document

Scope and purpose

This user manual is intended to help users using the TLE92104 APPKIT. This APPKIT is designed to evaluate hardware and software functionalities of the TLE92104.

This manual provides additional information about the board's layout, jumper settings, interface and how to use the GUI.

Intended audience

This document is for everyone who works with the TLE92104 APPKIT.

Abbreviations
Abbreviations

CSN	Chip select
CSIx	Current Sense Input x
CSOx	Current Sense Output
DC	Direct Current or Duty Cycle
EN	TLE92104 enable pin
GH1-4	Gate high-side MOSFET for half-bridge 1-4
GL1-4	Gate low-side MOSFET for half-bridge 1-4
GND	Ground
GUI	Graphic User Interface
MOSFET	Metal-Oxide-Semiconductor Field-Effect Transistor
N.C.	Not connected
OC	Overcurrent
OV	Overvoltage
PWM1-3	Pulse Width Modulation channel 1-3
SCLK	Serial Clock
SDI	Serial Data In
SDO	Serial Data Out
SPI	Serial Peripheral Interface
TJ	Junction temperature
UV	Undervoltage
VBAT	Battery supply voltage
VCP	Charge pump voltage
VDD	Logic supply voltage
VDH	Voltage drain of high-side MOSFET
VS	Battery supply voltage
VSP	Half-bridge supply voltage

Table of contents

	About this document	1
	Abbreviations	2
	Table of contents	3
1	Concept	4
2	PCB layout	5
3	Connections	6
4	Current Sense Output (CSO) jumper setting	8
5	SMD test points	9
6	Bill of material	10
7	TLE92104-232 pinout	11
8	APPKIT setup	12
8.1	Installing the GUI	12
8.2	Establishing communication	12
8.3	Using the GUI	13
9	How to use the GUI (examples)	15
9.1	Example - PWM DC motor control using half-bridge 1 and 2	15
9.2	Example - Enabling Adaptive MOSFET Control	17
9.3	Example - Setting blanking, cross-current protection and drain-source monitoring	18
9.4	Example - Off-state diagnostics on half-bridge 1 and 2	19
10	Schematics and layout	20
10.1	Schematics	20
10.2	Layout	26
11	Revision history	28
	Disclaimer	29

1 Concept

1 Concept

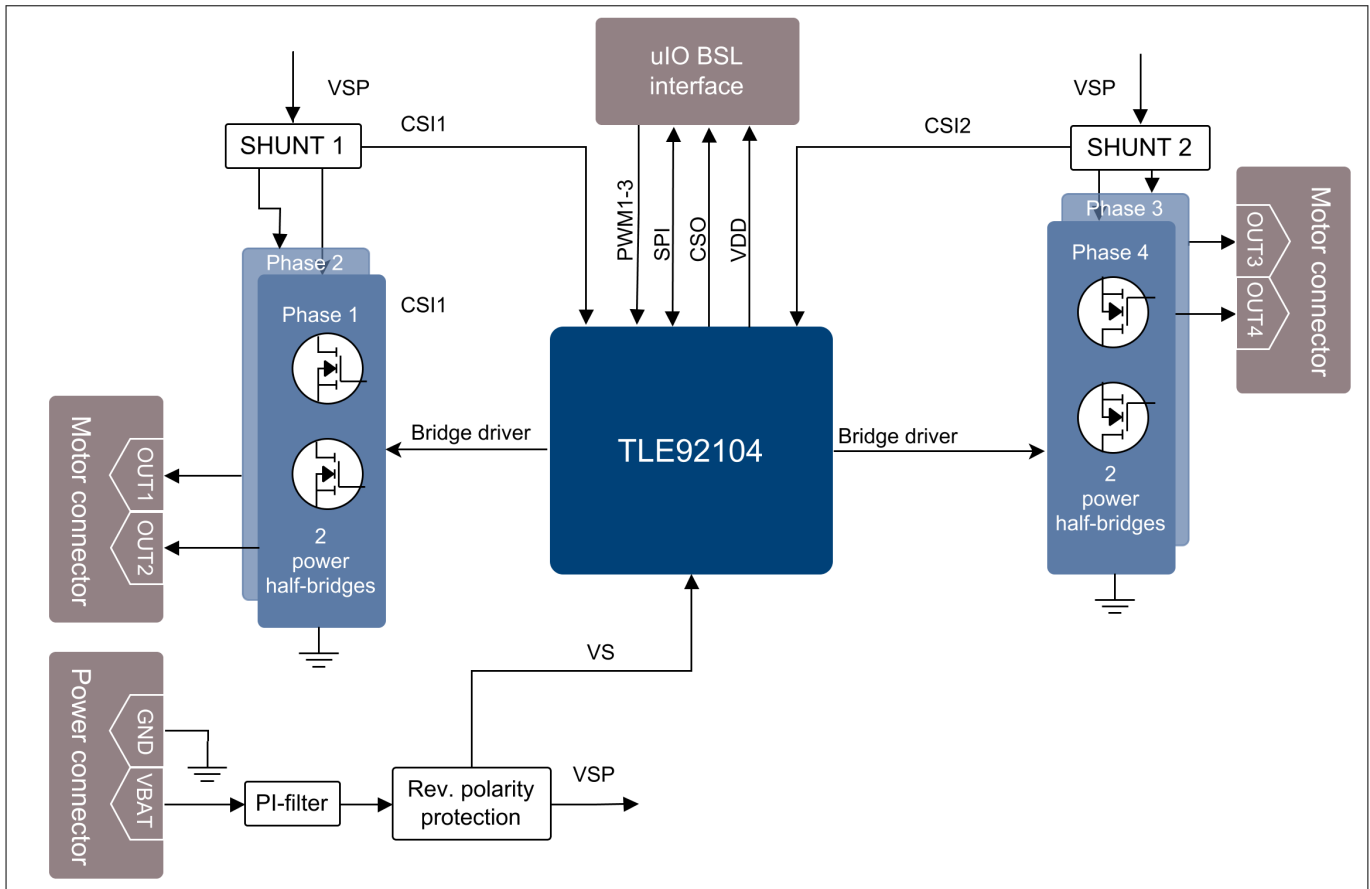


Figure 1 Block diagram

The TLE92104 APPKIT board provides a simple, easy-to-use tool to get familiar with Infineon's Multi MOSFET Driver TLE92104-232QX (TLE92104).

It contains the TLE92104 and a typical application circuit including 4 MOSFET half-bridges to drive up to 4 DC motors. The board is ready to be connected to a vehicle level power supply and is controlled over SPI.

All pins relevant to control the device can be accessed via the dedicated 8 × 2 header using the uIO-stick by hitex EMBEDDED TOOLS & SOLUTIONS (<http://www.hitex.com/uio>).

The board is powered by the power connector and provides an active on-board reverse-polarity protection for fastest response time in case of reverse polarity with minimal power-loss during normal operation.

The board allows control of Phase 1-4 which can be used to control up to 4 motors independently that can be connected to OUT1-4 with the 2 screw terminal block motor connectors.

2 high-side shunts provide load current measurement and monitoring.

2 PCB layout

2 PCB layout

Infineon's TLE92104 is a Multi-MOSFET driver IC providing control of up to 8 n-channel MOSFETs. It supports up to 4 half-bridges for DC motor control applications such as automotive power seat control or other multi-motor applications ([Datasheet of TLE92104-2320X](#)).

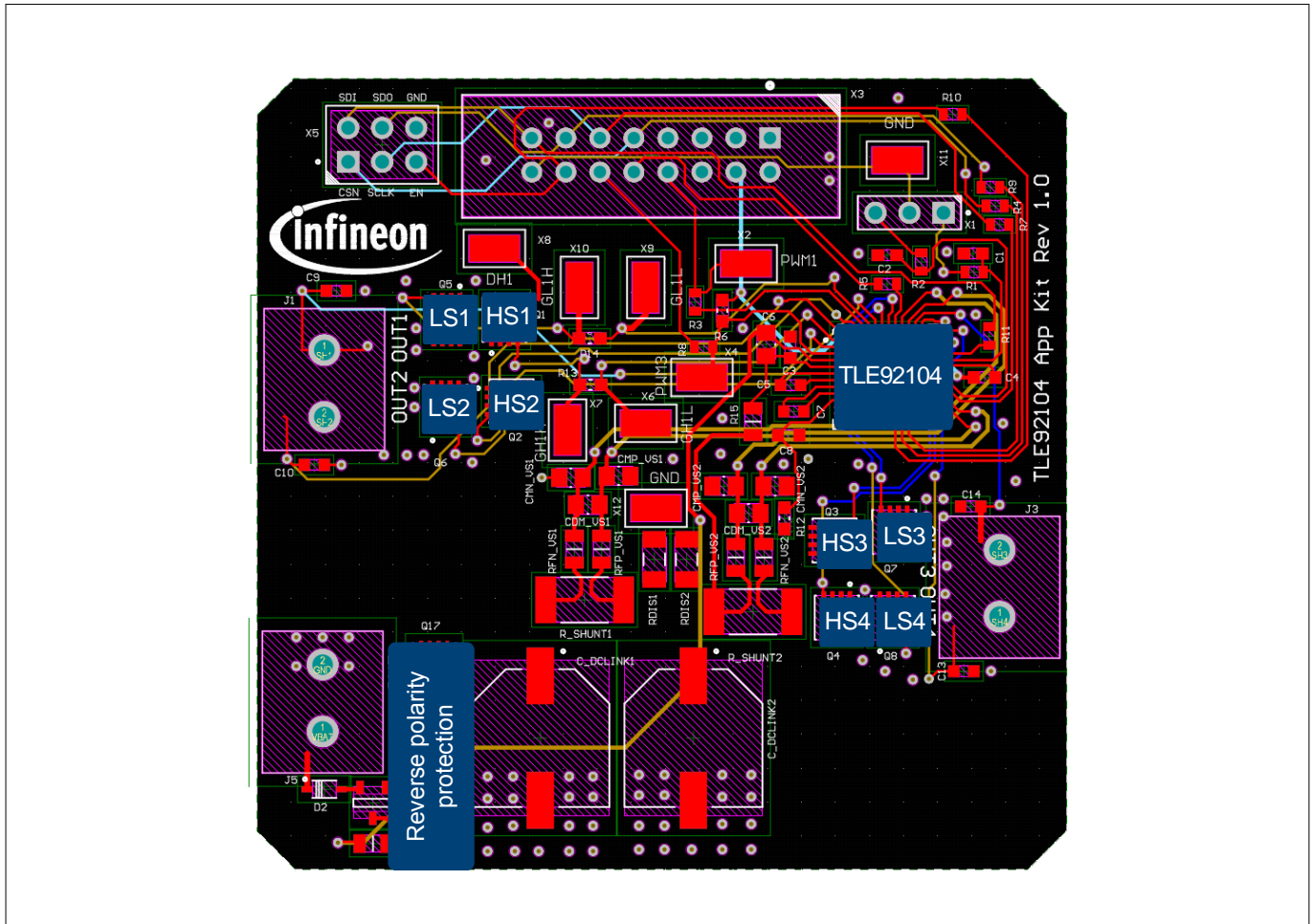


Figure 2 PCB layout

HS1-4, LS1-4

Infineon's new OptiMOS™ 5 40 V product family in S308 package combines leading power MOSFET technology with $3.3 \times 3.3 \text{ mm}^2$ leadless power package for very compact and robust automotive system solutions ([Datasheet of IPZ40N04S5-3R1](#)).

Reverse polarity protection

The active reverse polarity protection is based on the design documented in the ["Reverse Polarity Protection for Embedded Power ICs" Application Note \(Z864338247\)](#).

3 Connections

3 Connections

Several external connections are available on the TLE92104 APPKIT.

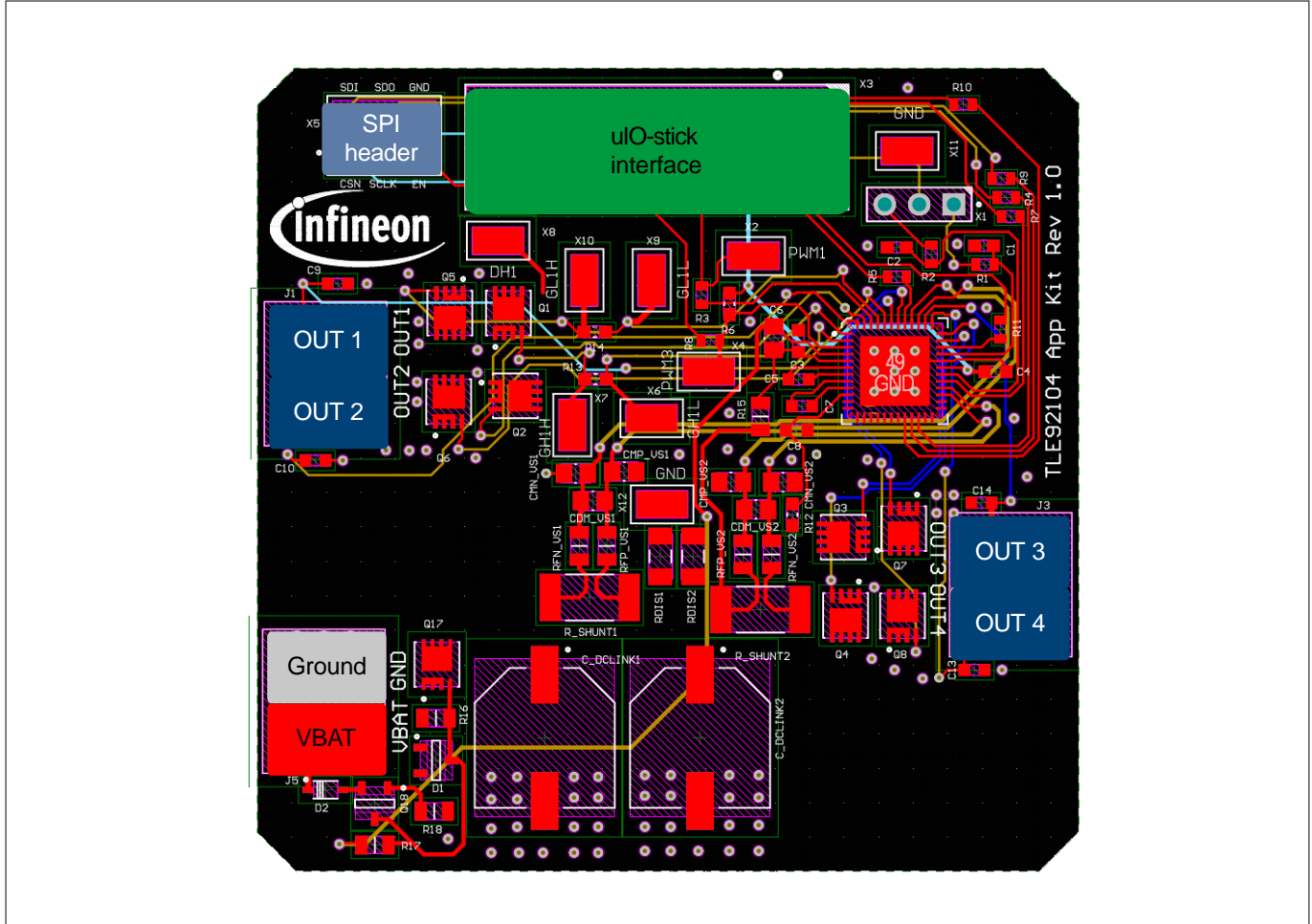


Figure 3 Connections

uIO-stick interface

The uIO-stick interface can be used to establish communication with the TLE92104 for programming of the SFRs and motor control. Setting up the interface can be found in [APPKIT setup](#). The pinout is shown in [Figure 4](#).

SDI	SDO	SCLK	CSN	N.C.	N.C.	N.C.	NC.
15	13	11	9	7	5	3	1
16	14	12	10	8	6	4	2
CS0x	EN	PWM3	PWM2	PWM1	N.C.	VDD	GND

Figure 4 Pin configuration of uIO-stick

3 Connections

Motor connectors

The screw terminal blocks can be used to connect DC motors in multiple topologies, some examples are shown in [Figure 5](#).

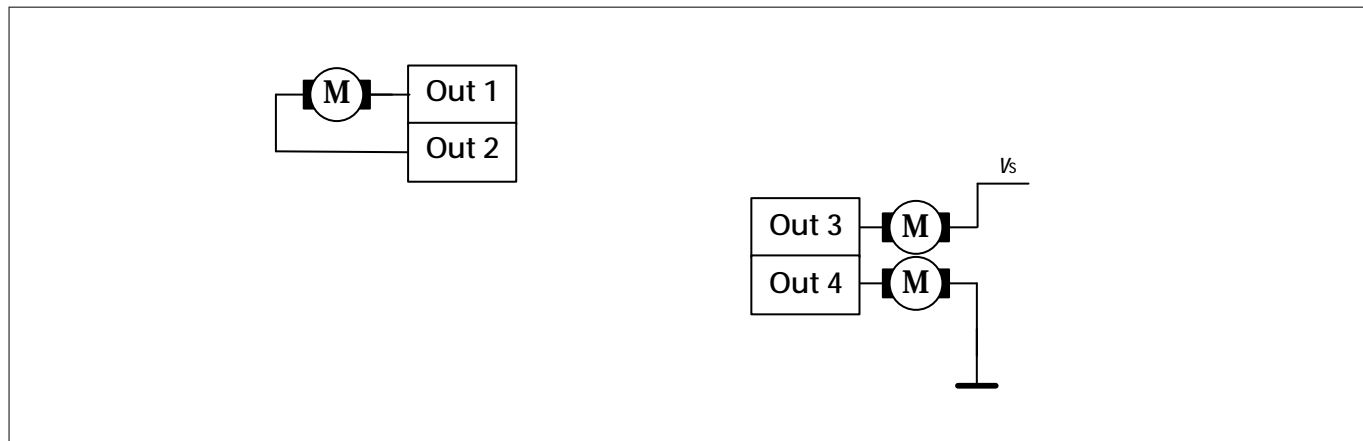


Figure 5 Motor connectors and topologies

Power connector

The screw terminal blocks are used to connect the supply voltage to VBAT and ground to GND.

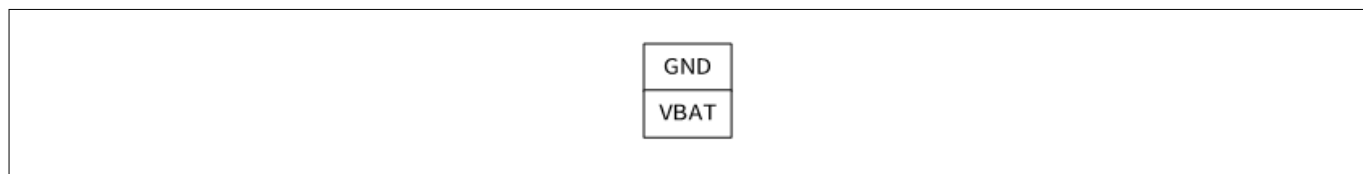


Figure 6 Power connector

SPI header

The 3 × 2 header can be used for SPI debugging. The pinout is shown in [Figure 7](#).

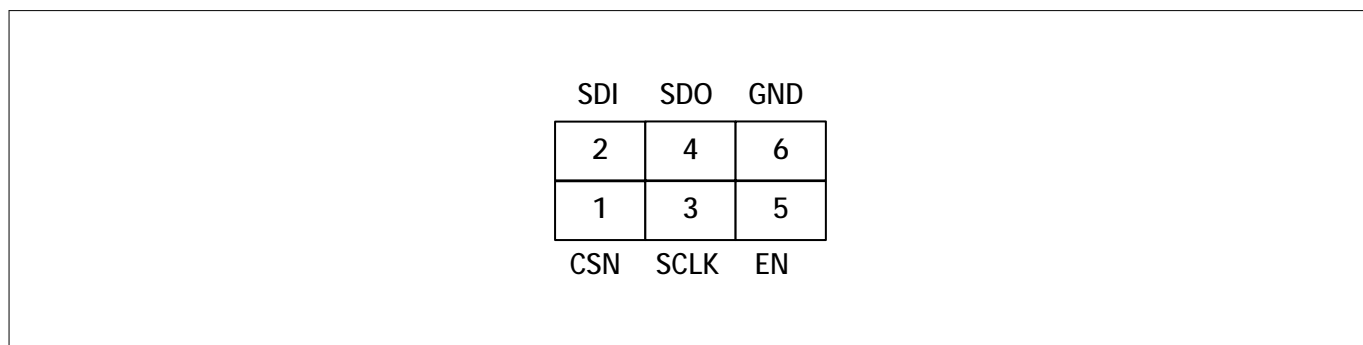


Figure 7 SPI header pinout

4 Current Sense Output (CSO) jumper setting

4 Current Sense Output (CSO) jumper setting

The Current Sense Output jumper selects which IC current sense output is connected to the uIO interface. The signal is routed to the uIO-stick interface pin 16. The pinout is shown in [Figure 9](#).

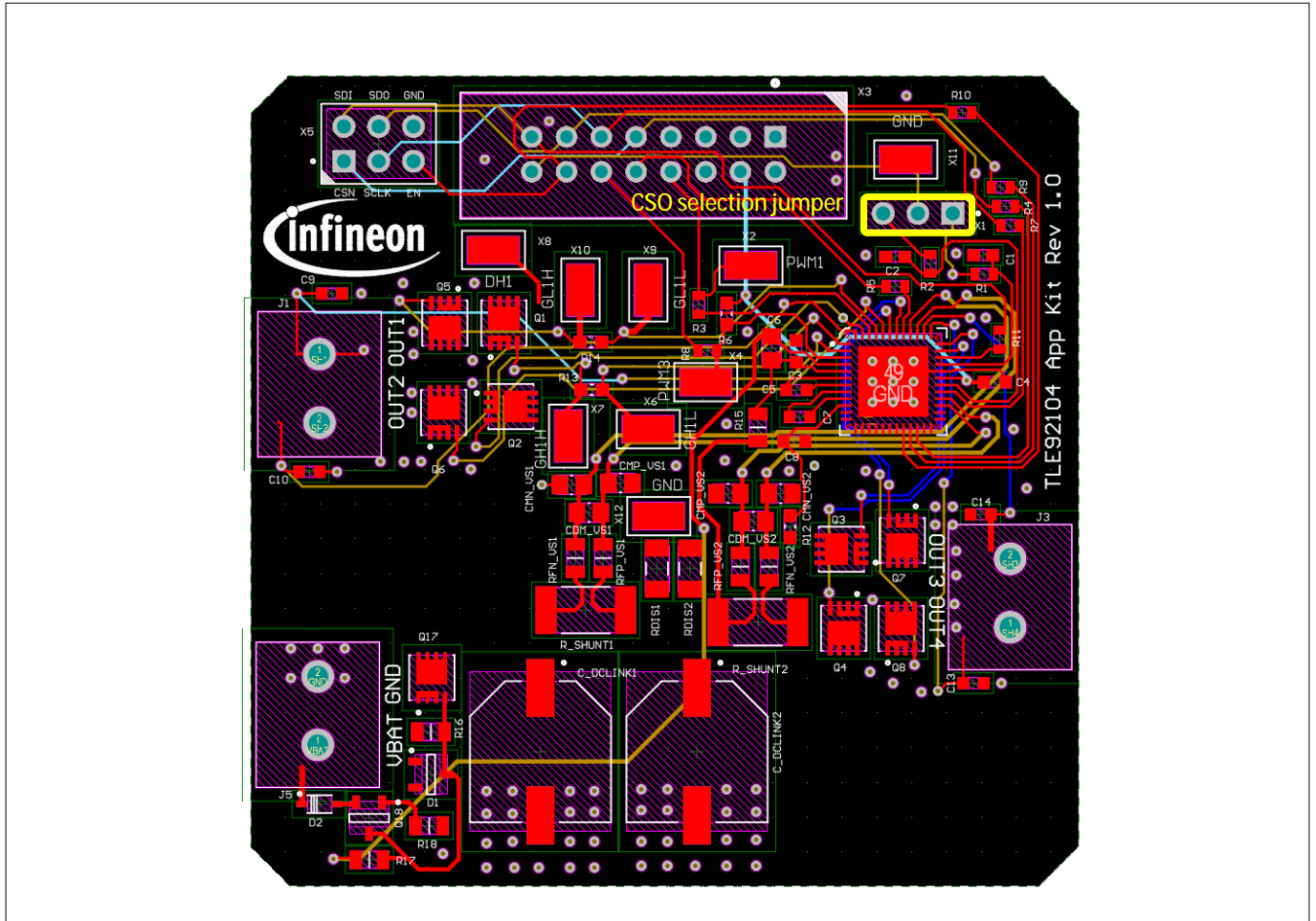


Figure 8 Current Sense Output selection jumper

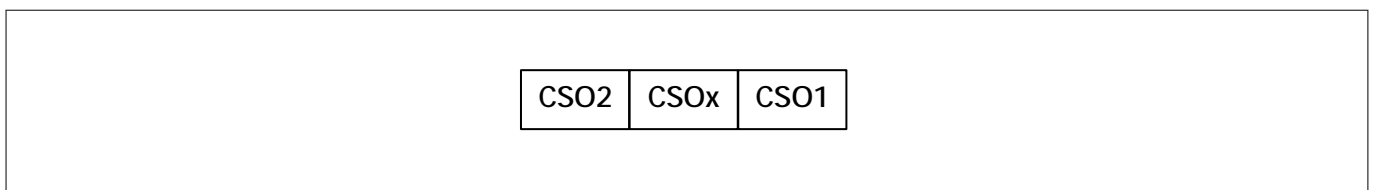


Figure 9 CSO selection jumper pinout

5 SMD test points

5 SMD test points

The TLE92104 APPKIT provides 9 SMD test points for evaluation and testing.

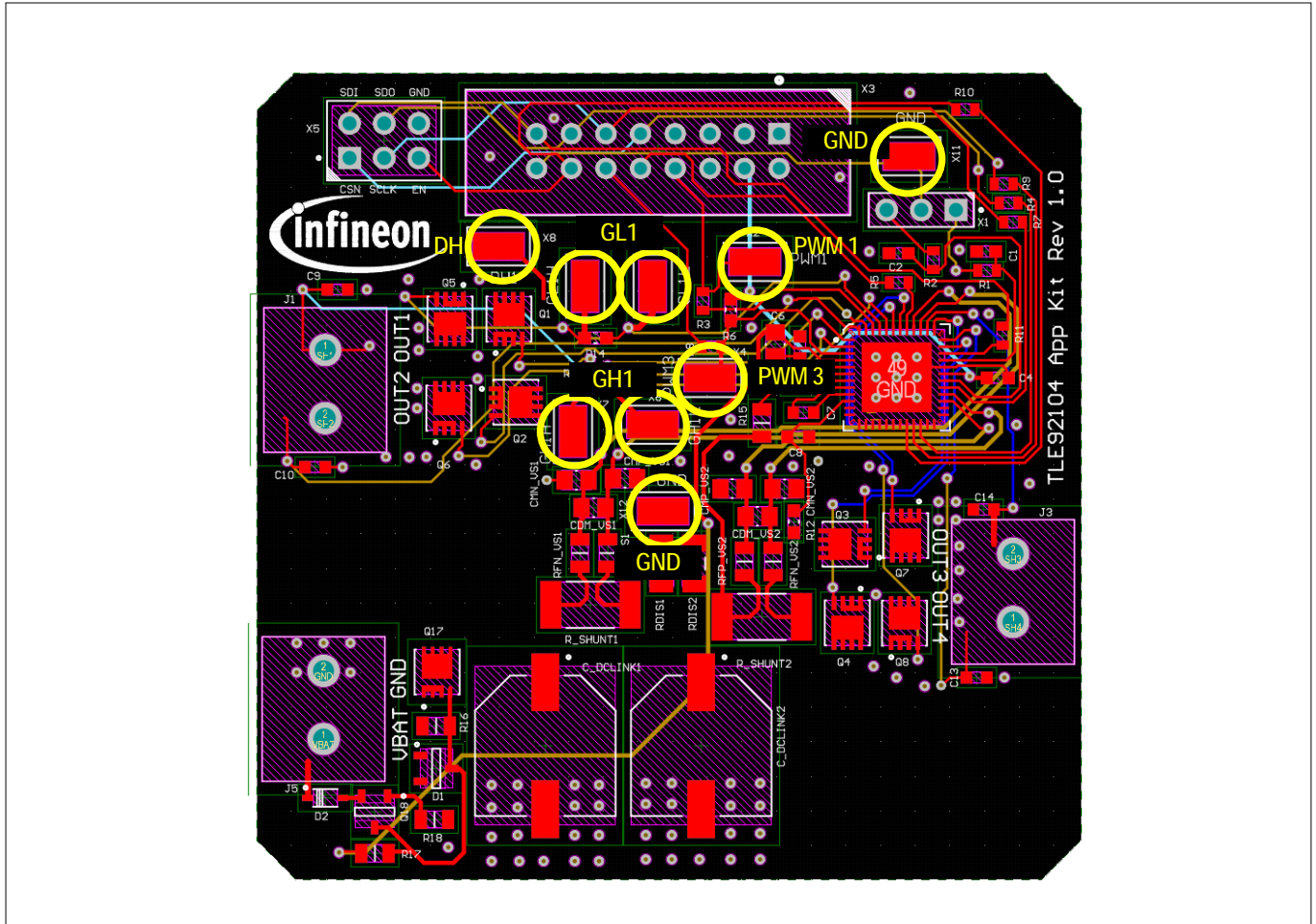


Figure 10 SMD test points

The TLE92104 APPKIT includes test points for:

- 2× GND
- 1× VDH
- 2× GL1
- 2× GH1
- 1× PWM1
- 1× PWM3

6 Bill of material

6 Bill of material

Table 1 Bill of material

Designator	Value
C1, C2	100 pF
C3, C4, C8	100 nF
C5, C7	220 nF
C6	470 nF
C9, C10, C13, C14	22 nF
C_DCLINK1, C_DCLINK2	560 uF
CDM_VS1, CDM_VS2	1.50 nF
CMN_VS1, CMN_VS2, CMP_VS1, CMP_VS2	22 nF
D1	BZX84C16LT1G
D2	BAS21
J1, J3, J5	20020316-G021B01LF
Q1, Q2, Q3, Q4, Q5, Q6, Q7, Q8	IPZ40N04S5-3R1
Q17	BCR141
Q18	IPZ40N04S5L-2R8
R1, R2, R3, R4, R5, R7, R8, R9, R10, R11	1 kR
R6	47 kR
R12	2 R
R13, R14	10 R
R15	2.20 R
R16	100 kR
R17	4.7 kR
R18	47 kR
R_SHUNT1, R_SHUNT2	5 mR
RDIS1, RDIS2	15 kR
RFN_VS1, RFN_VS2, RFP_VS1, RFP_VS2	4.70 R
U1	TLE92104-233QX
X1	Header 3
X2, X4, X6, X7, X8, X9, X10, X11, X12	connector_1_f
X3	Header 8X2
X5	Header 3X2A

7 TLE92104-232 pinout

7 TLE92104-232 pinout

The TLE92104 comes in a space saving 7 × 7 mm² VQFN 48 pin package and is AEC-Q100 qualified up to a junction temperature T_J of 150°C.

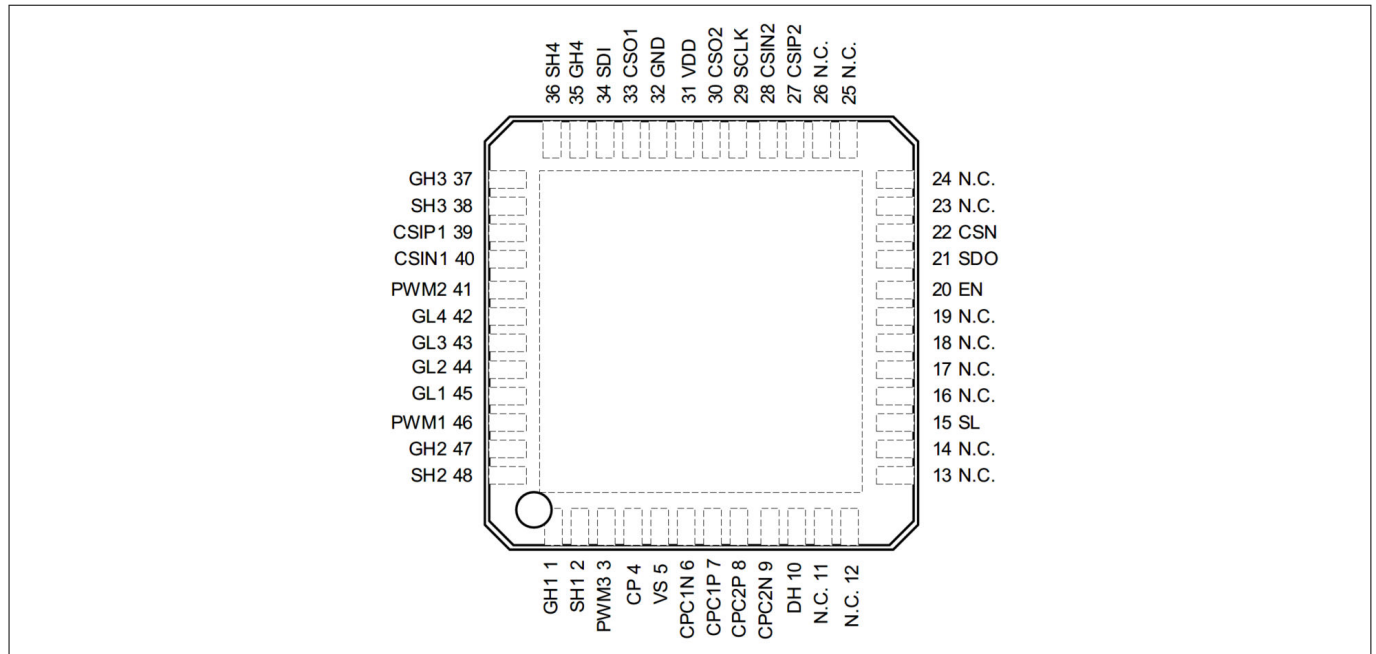


Figure 11 TLE92104 pinout

8 APPKIT setup

8 APPKIT setup

The APPKIT can be controlled with the uIO-stick which provides an interface between the PC GUI and the APPKIT's uIO connector is able to translate message between the APPKIT and the GUI available for PC.

8.1 Installing the GUI

The GUI is installed the Infineon Toolbox following the steps below:

1. Go to: www.infineon.com/toolbox.
2. Follow the instructions provided on the toolbox installation webpage. Also see the "Download Getting Started Infineon Toolbox Guide" link for additional user information.
3. Launch the Infineon Toolbox on your PC:
4. Select **Manage Tools**.
5. Search and install the tool: **Config Wizard for Multi MOSFET Driver**.
6. Start the **Config Wizard for Multi MOSFET Driver**.
7. Click on **TLE92104 APPKIT**.

8.2 Establishing communication

To establish communication between the GUI and the TLE92104 APPKIT you must:

- Connect the TLE92104 Appkit to a power-supply.
- Connect the uIO-stick to the TLE92104 APPKIT.
- Connect the uIO-stick to a USB port of your PC.
- Turn on the power supply.
- Start the GUI.

Note: The GUI requires the uIO-sticks'-firmware to be of version 2.21 or above.

The GUI can be used to update the uIO-stick firmware to the latest version:

1. Open the **GUI**.
2. Click **Extras**.
3. Click **Update uIO**
4. A window will pop up, click **Yes**.
5. Select **uIO_v221.hex** or above.
6. Click **Open**.

Note: It is recommended to remove and reinsert the uIO-stick to reboot the uIO hardware.

8 APPKIT setup

8.3 Using the GUI

The GUI consists of three panels/tabs:

- [Motor Control](#)
- [Detailed Settings](#)
- [PWM and Diagnostic](#)

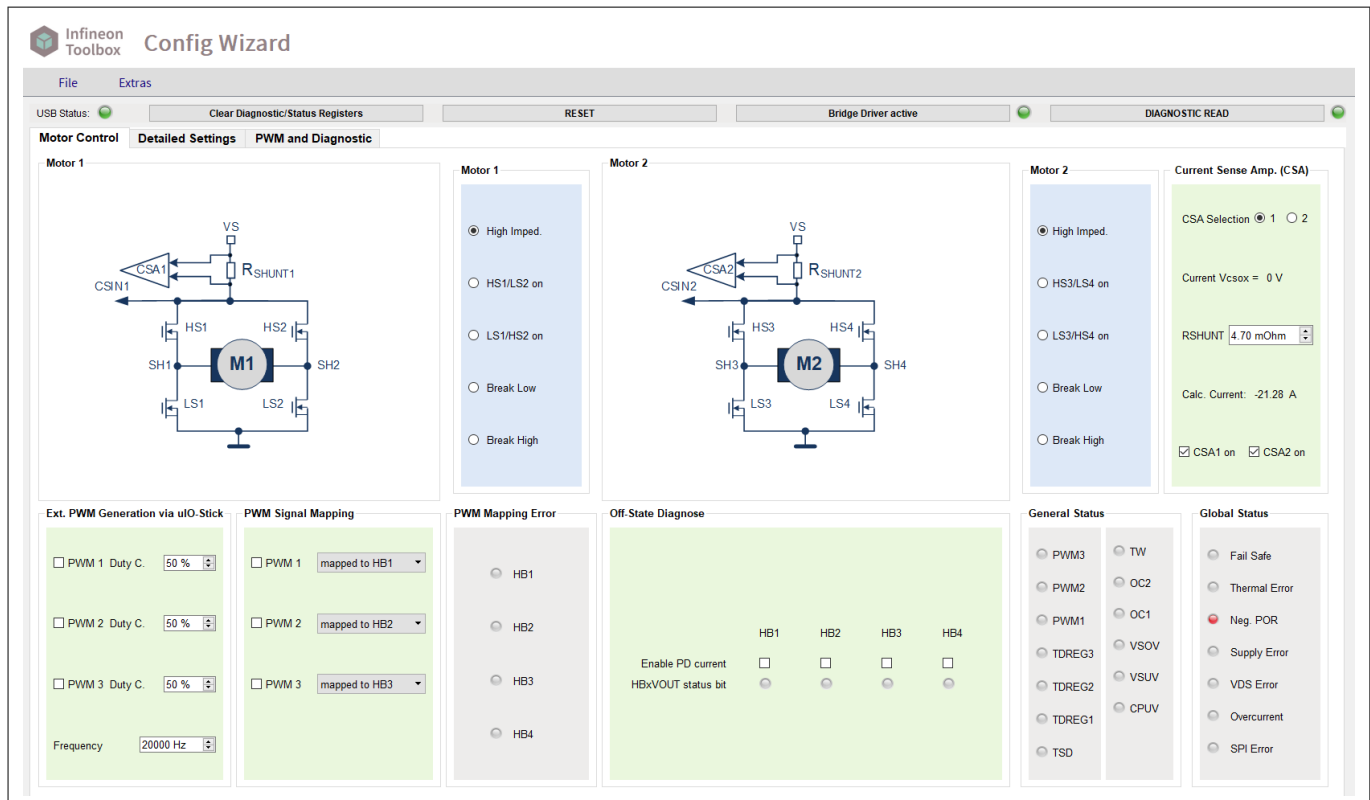




Figure 12 TLE92104 APPKIT GUI

Additionally the status of the USB connection, bridge driver and diagnostic read is shown on the top of the display:

-  Everything is up and running.
-  There seems to be a problem.

The GUI provides buttons to **Clear Diagnosis**, to **Clear Status Registers** and to **RESET** the device.

Motor Control

In this panel it is possible to:

- Configure the PWM channels 1-3 with 0-100% DC and up to 25 kHz which are generated by the uIO-stick.
- Map the PWM to half-bridges 1-4.
- Set the HB state in either cascade or H bridge configuration.
- Select and disable the CSAs and see the current VCSox output.
- See the General Status register and Global Status byte.
- Perform off-state diagnosis.

8 APPKIT setup

Detailed Settings

In this panel it is possible to:

- Enable and configure the charge pump and set OV and UV thresholds.
- Configure passive mode settings.
- Configure the CSAs and enable OC shutdown.
- Configure gate driver timings (cross-current-protection and blank time), hold and static currents.
- Configure DS overvoltage.
- Map gate drive timings and static currents to half-bridge.

PWM and Diagnostic

In this panel it is possible to:

- Enable adaptive MOSFET control, set filter, enable generator mode detection or deep adaption.
- Set dis/charge currents for active and free-wheeling MOSFET, configure adaptive currents, set target turn-on delay and pre dis/charge time for PWM channel 1-3.
- Read PWM switching characteristics.
- Check Global Status Byte, General Status register, PWM mapping error and drain-source overvoltage.

9 How to use the GUI (examples)

9 How to use the GUI (examples)

9.1 Example - PWM DC motor control using half-bridge 1 and 2

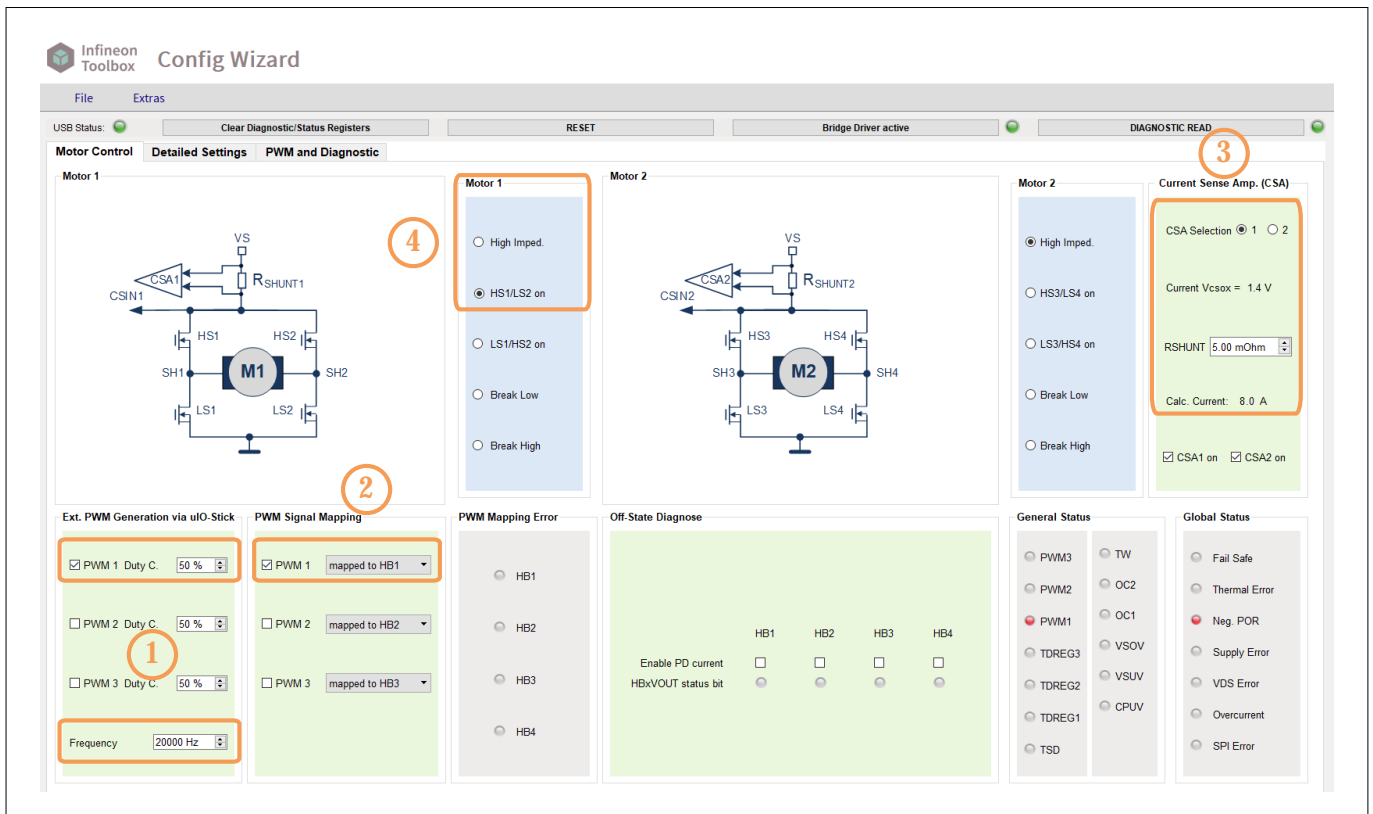
In this example a DC motor will be controlled by half-bridge 1 and 2. The half-bridge 1 output will be configured for 20 kHz PWM with 50% DC and the load current can be monitored using CSA1.

Setup

Before you configure the GUI you will need to:

- Connect a DC motor to **OUT1** and **OUT2**.
- Establish communication between the Appkit and the GUI as described in [Establishing communication](#).

Configure the GUI



The screenshot shows the Infineon Config Wizard interface. The top bar includes 'File', 'Extras', 'Clear Diagnostic/Status Registers', 'RESET', 'Bridge Driver active', and 'DIAGNOSTIC READ'. The main area is divided into several sections:

- Motor 1:** Includes a circuit diagram of a half-bridge (M1) with current sense amplifier (CSA1) and shunt resistor (R_{SHUNT1}). A callout '4' points to the 'Motor 1' configuration panel where 'HS1/LS2 on' is selected.
- Motor 2:** Includes a circuit diagram of a half-bridge (M2) with current sense amplifier (CSA2) and shunt resistor (R_{SHUNT2}).
- Ext. PWM Generation via uIO-Stick:** Callout '1' points to the 'PWM 1 Duty C.' (50%) and 'Frequency' (20000 Hz) settings.
- PWM Signal Mapping:** Callout '2' points to 'PWM 1 mapped to HB1'.
- Current Sense Amp. (CSA):** Callout '3' points to the 'Current Sense Amp. (CSA)' window showing 'CSA Selection' (1) and 'RSHUNT' (5.00 mOhm).
- General Status and Global Status:** Panels on the right showing various error and diagnostic indicators.

Figure 13 Control your first DC motor

To start the motor you will need to:

1. Set **PWM 1** to 20 kHz and 50% DC (default values).
2. Map **PWM 1** to **HB1**.
3. CSA1/2 are on and CSA 1 is selected by default. The PCB on-board jumper should connect CSO1 and CSO1/2 as described in [Current Sense Output \(CSO\) jumper setting](#). For correct current sensing the value of **RSHUNT** should be set to 5 mΩ to match the PCB hardware.
4. Set **Motor 1** to **HS1/LS2 on**.

The motor should start running with 20 kHz HS PWM at 50%.

The output of CSO1 can be seen in the CSA window (3).

9 How to use the GUI (examples)

The load current can be calculated accordingly:

$$I_{Load} = \frac{V_{CSOX} - V_{REF}}{R_{SHUNT} \times GAIN}$$

Table 2 CSA V_{REF}

	Unidirectional mode	Bidirectional mode
VREF	VDD/5	VDD/2

Table 3 CSA GAIN

GENCTRL1.CSAGx	GAIN
b00	10
b01	20
b10	40
b11	80

The VCSO output depends on the CSA configuration (Uni- or Bidirectional) and the Gain setting. The CSA can be configured as follows:

1. Go to Detailed Settings.
2. Set CSA Level, Gain, Unidirectional Threshold, Bidirectional Threshold and Overcurrent Filter (overcurrent detection filter time). (See datasheet for overcurrent monitoring and protection details).

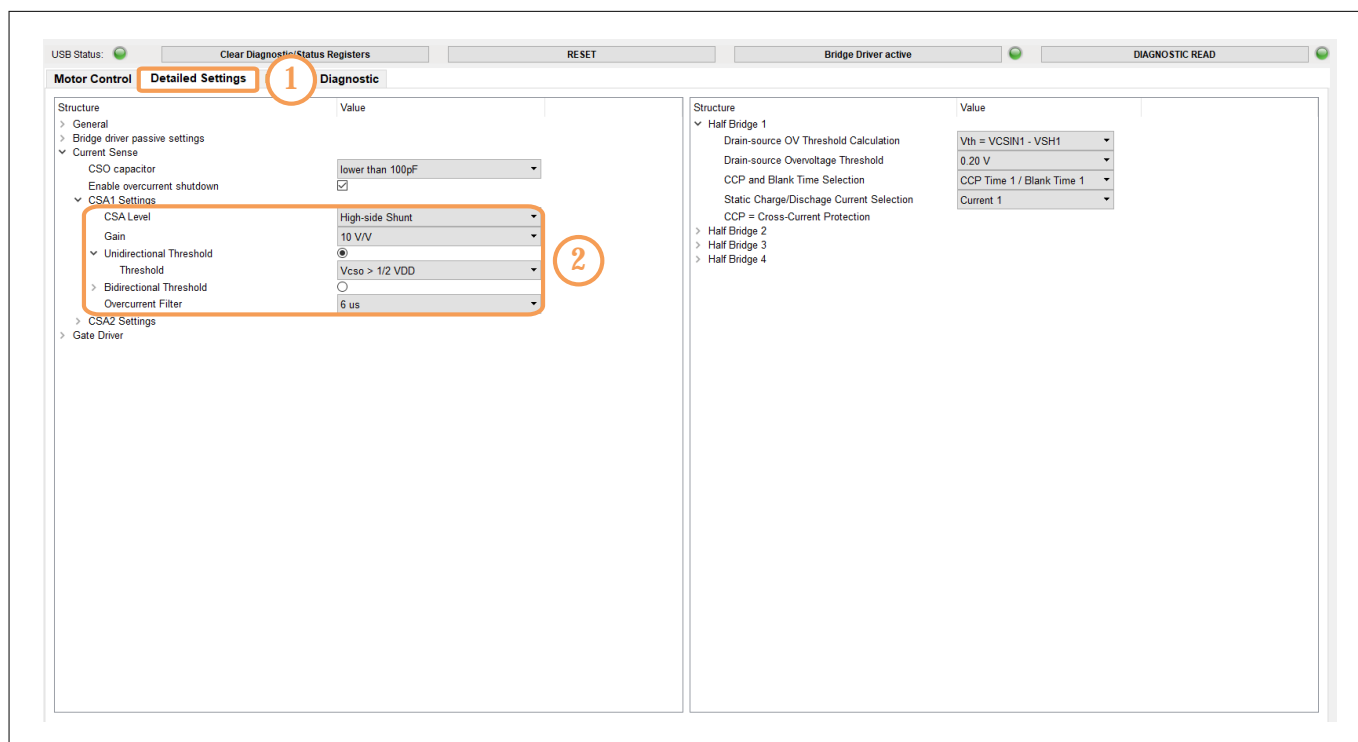


Figure 14 Configure CSA and overcurrent detection

9 How to use the GUI (examples)

9.2 Example - Enabling Adaptive MOSFET Control

One of the main features of the TLE92104 is Adaptive MOSFET Control. It can easily be configured as shown below. See the datasheet for a detailed description of operation and configuration options.

1. Go to **PWM and Diagnostic**.
2. Configure **Adaptive Gate Control** settings. Here features like **deep adaption** or **generator mode detection** can be enabled.
3. Set the desired **turn-on/off delay** and MOSFET gate drive characteristics.

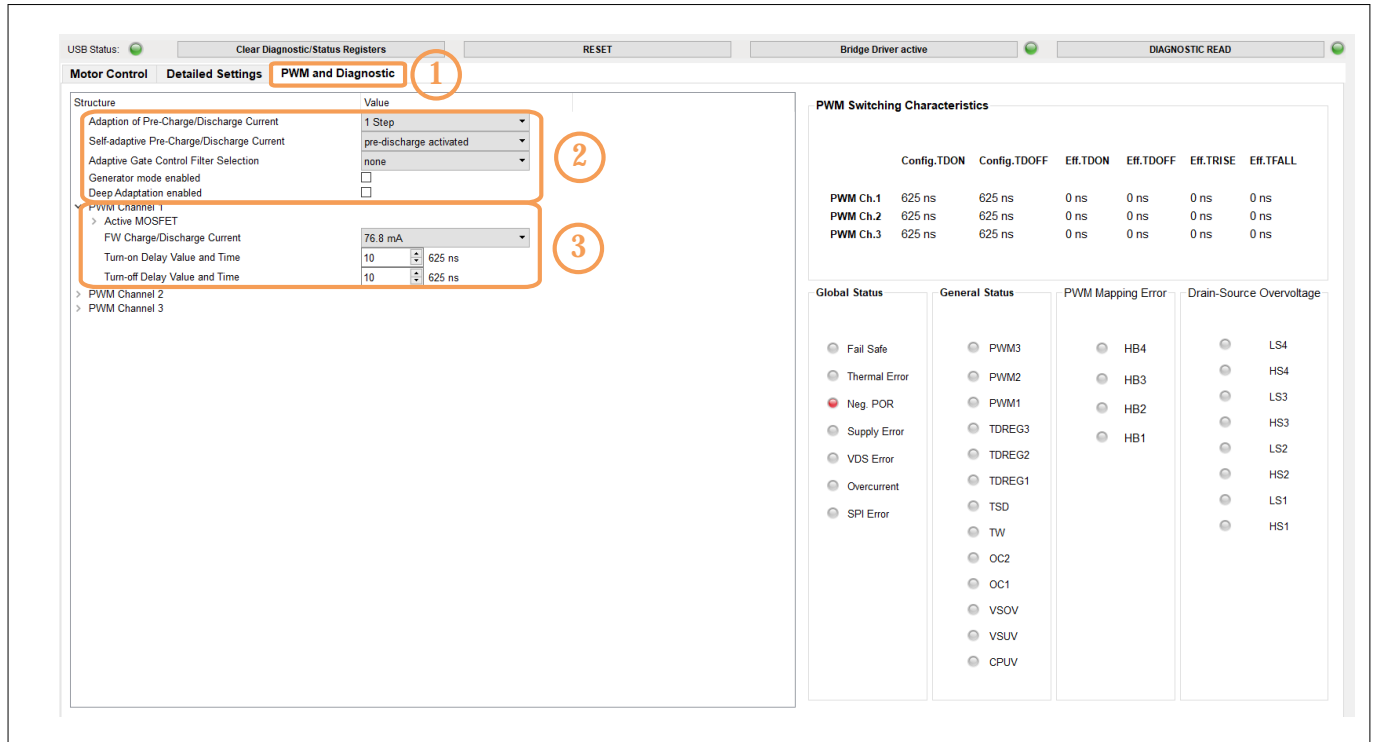


Figure 15 Enable Adaptive MOSFET Control

9 How to use the GUI (examples)

9.3 Example - Setting blanking, cross-current protection and drain-source monitoring

The TLE92014 has several active protection features cross-current protection and VDS overvoltage protection.

1. Go to Detailed Settings.
2. Configure Active CCP and FW CCP and make sure it is mapped to the correct half-bridge.
3. Configure Active Blank Time and FW Blank Time and make sure it is mapped to the correct half-bridge.
4. Configure Drain-source Monitoring Filter Time and set the Drain-source Overvoltage Threshold for the addressed half-bridge.

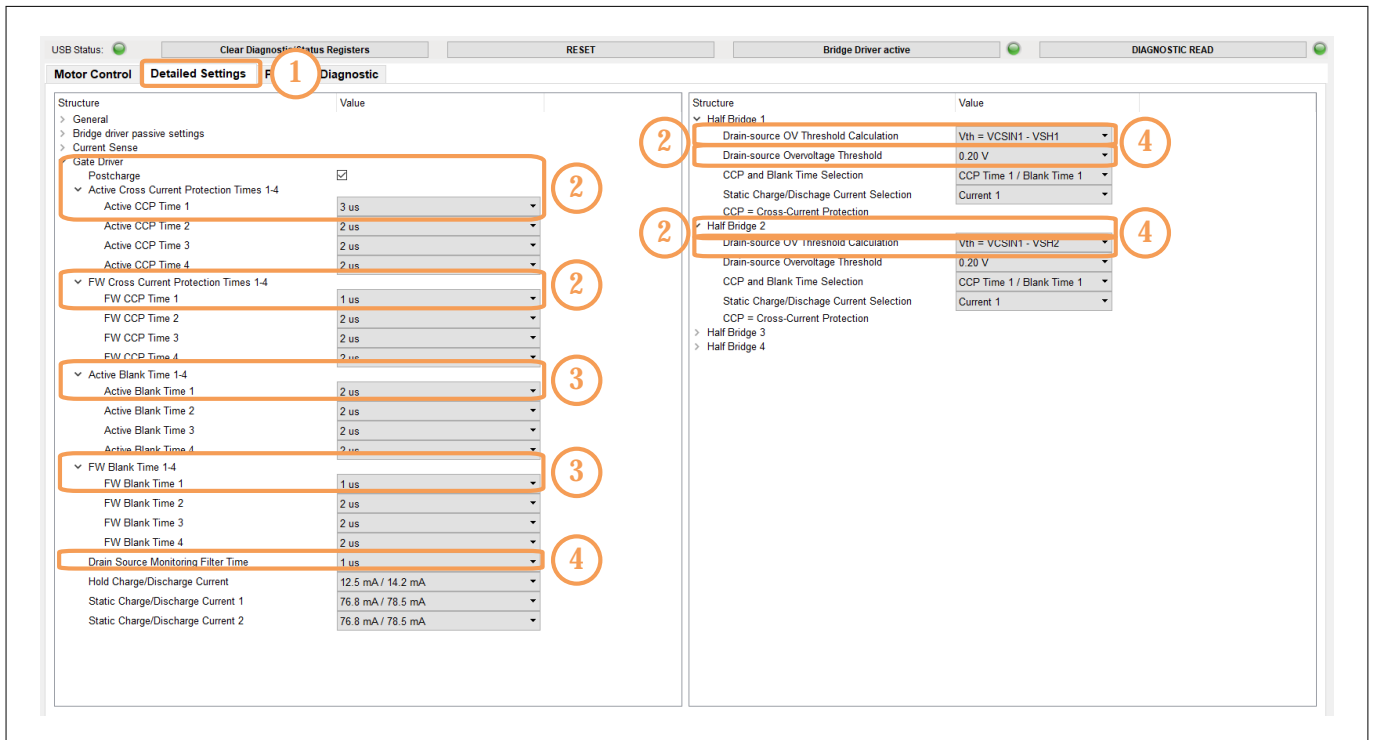


Figure 16 TCCP, TBLANK and VDS monitoring

9 How to use the GUI (examples)

9.4 Example - Off-state diagnostics on half-bridge 1 and 2

Off-state diagnostics can be used to detect short to battery/ground or open wire without activating the motor.

Note: The **Drain-Source Overvoltage threshold** (as shown in [Example - Setting blanking, cross-current protection and drain-source monitoring](#).) for the addressed **half-bridge** must be set to **2.0 V** for proper detection.

1. Go to **Motor Control**.
2. Set **Motor 1** to **High Impeded**.
3. Enable **pull-down** current sources for **HB1** and **HB2**

Refer to the [Off-state diagnostics Application Note](#) for a detailed description of diagnosis operation.

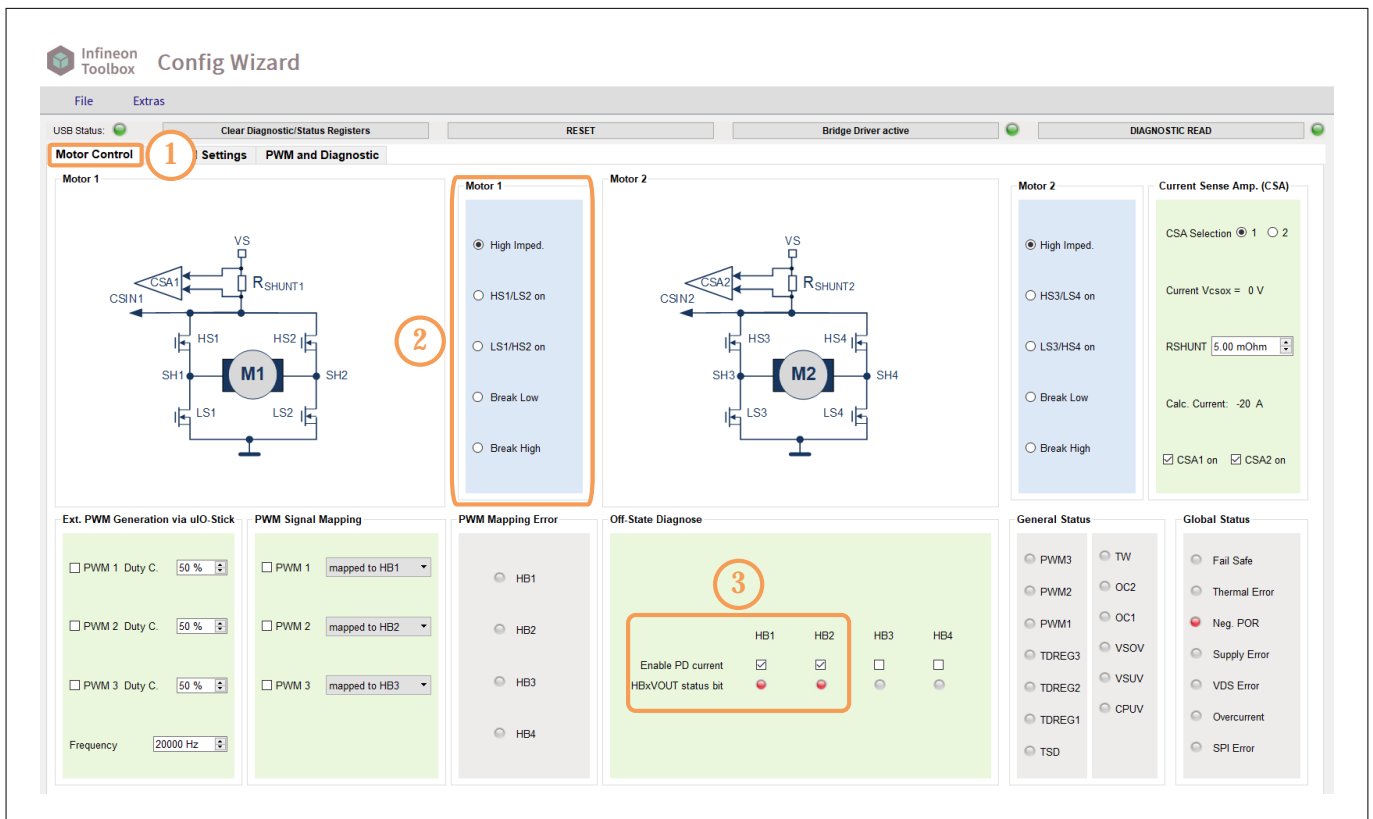


Figure 17 Off-state diagnostics

10 Schematics and layout

10 Schematics and layout

10.1 Schematics

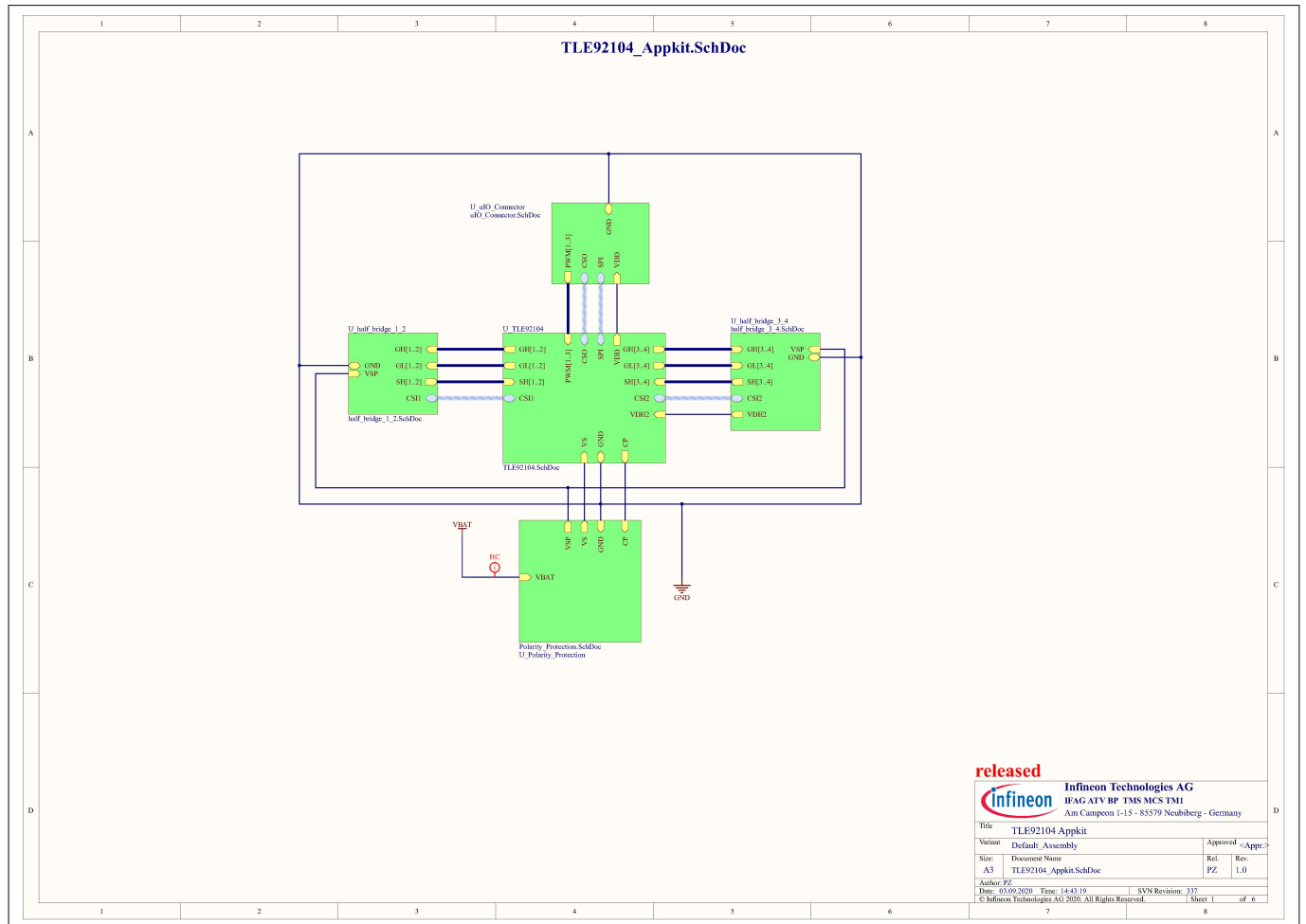


Figure 18 Schematic page 1

10 Schematics and layout

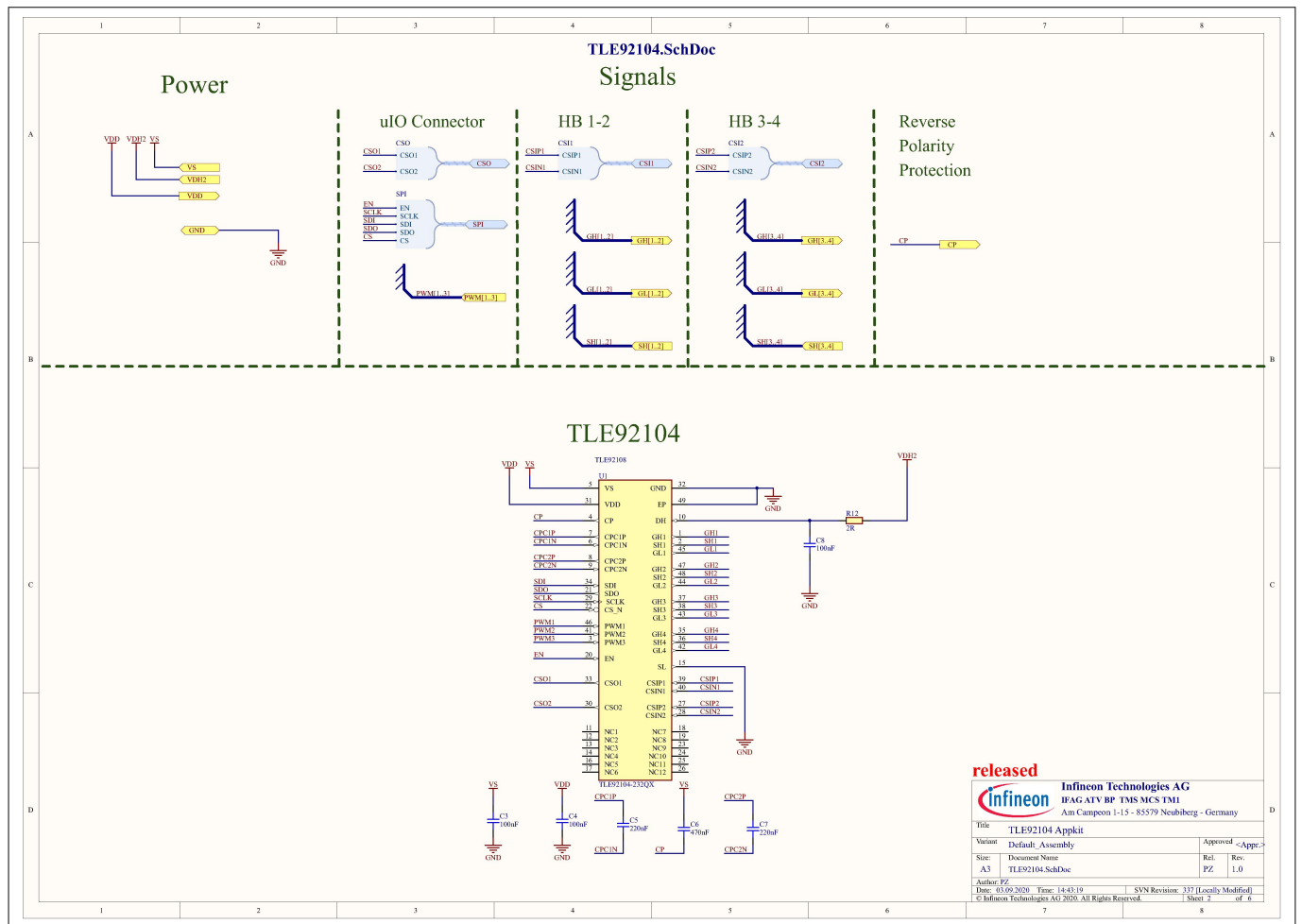


Figure 19 Schematic page 2

10 Schematics and layout

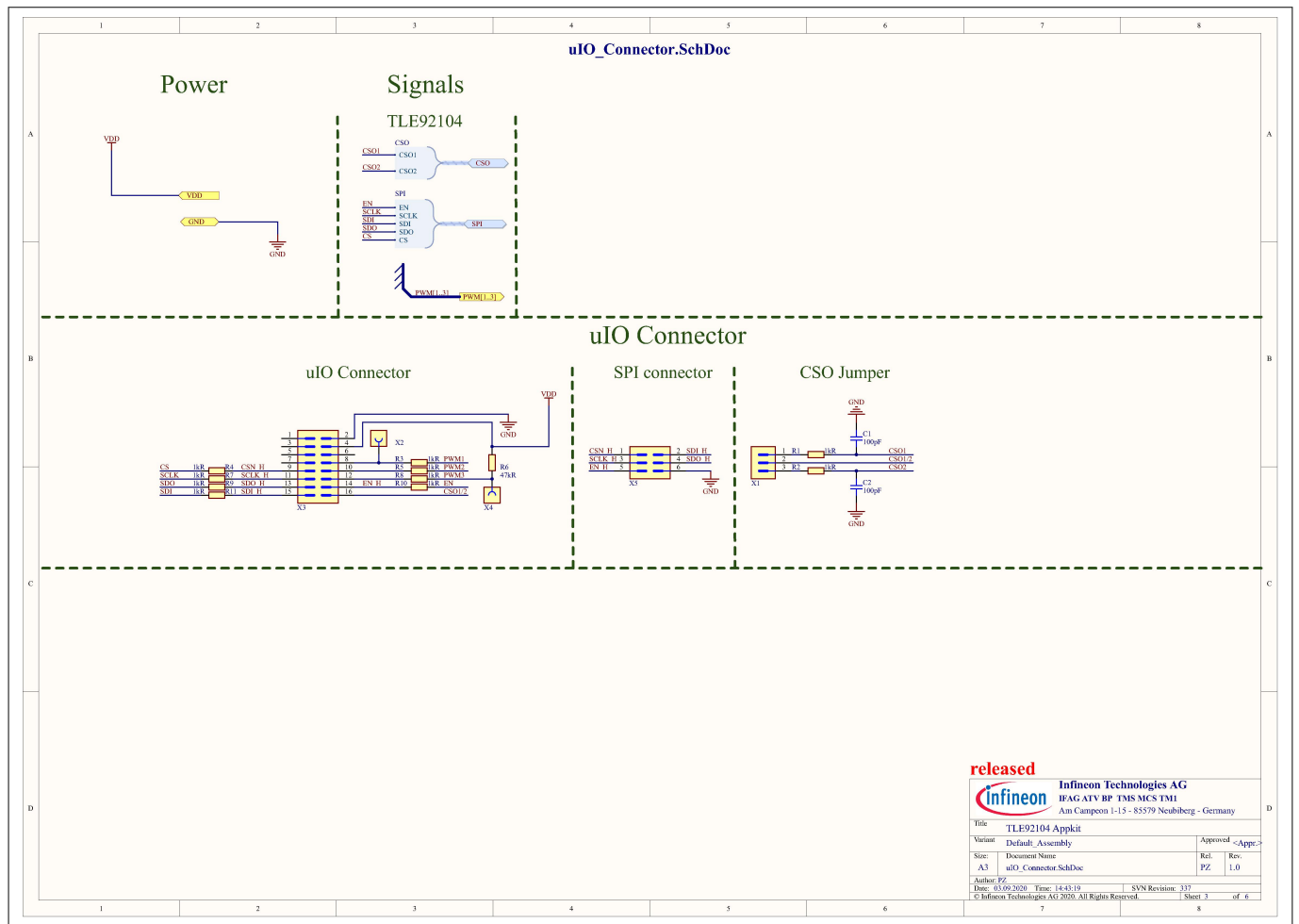


Figure 20 Schematic page 3

10 Schematics and layout

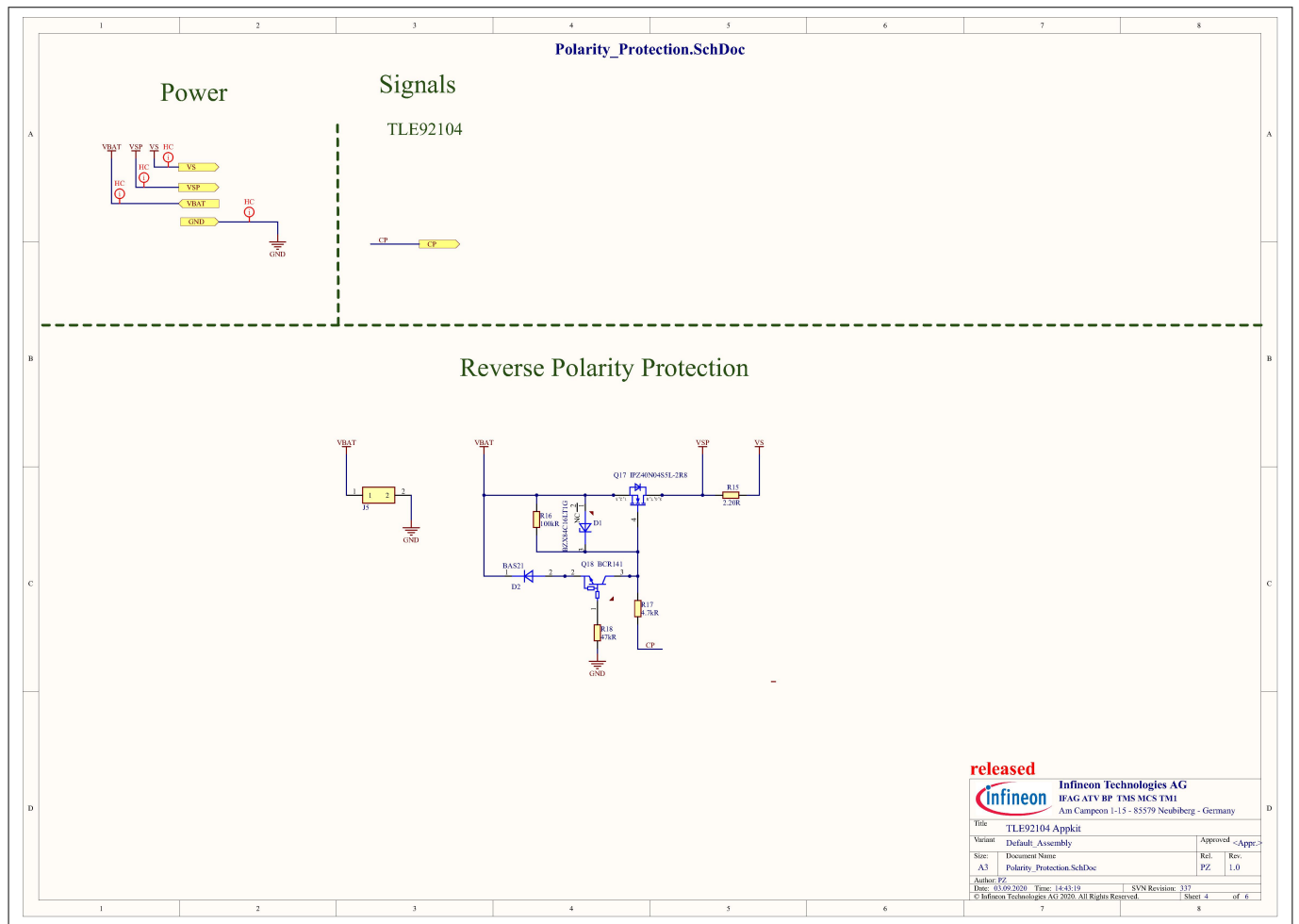


Figure 21 Schematic page 4

10 Schematics and layout

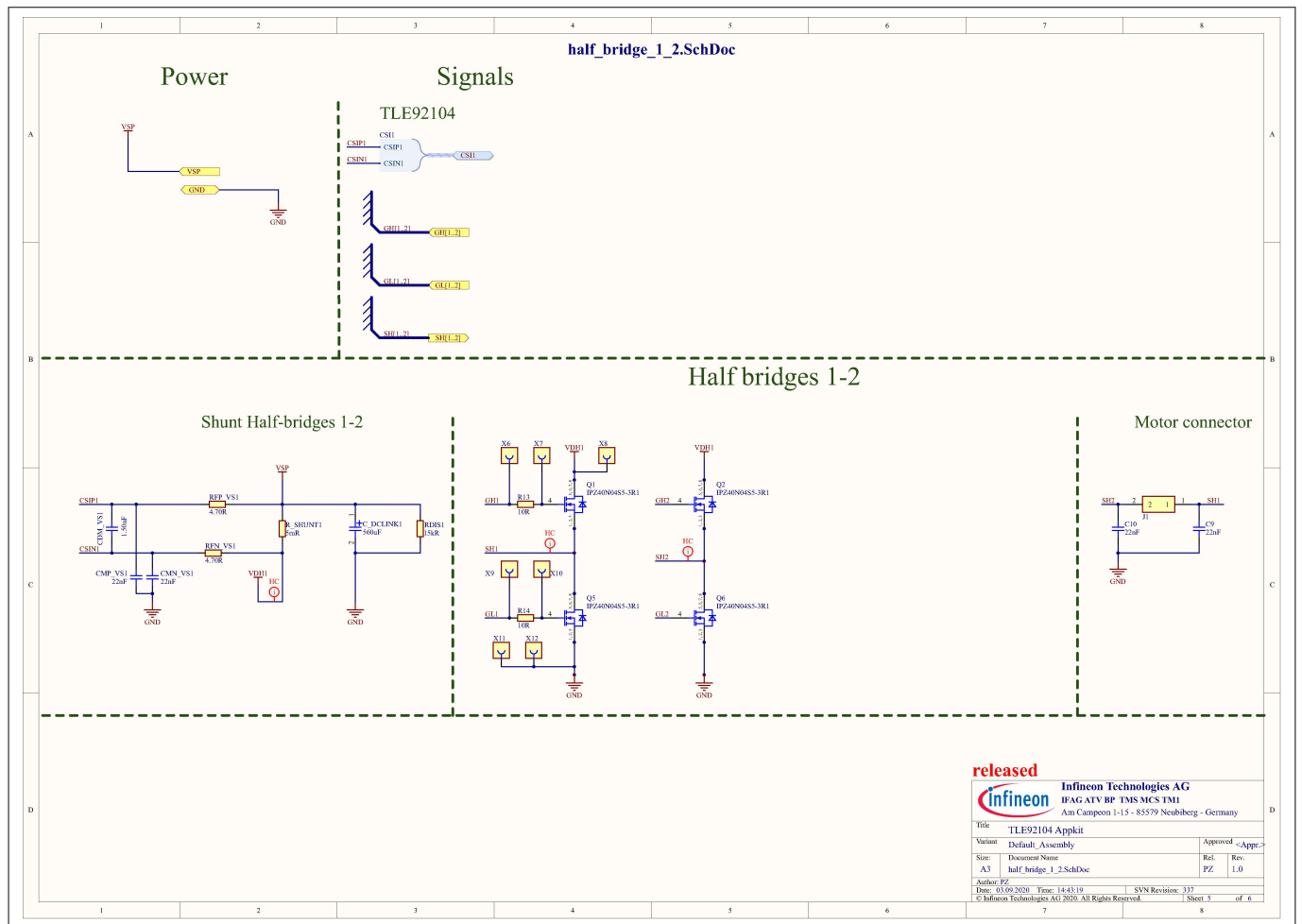


Figure 22 Schematic page 5

10 Schematics and layout

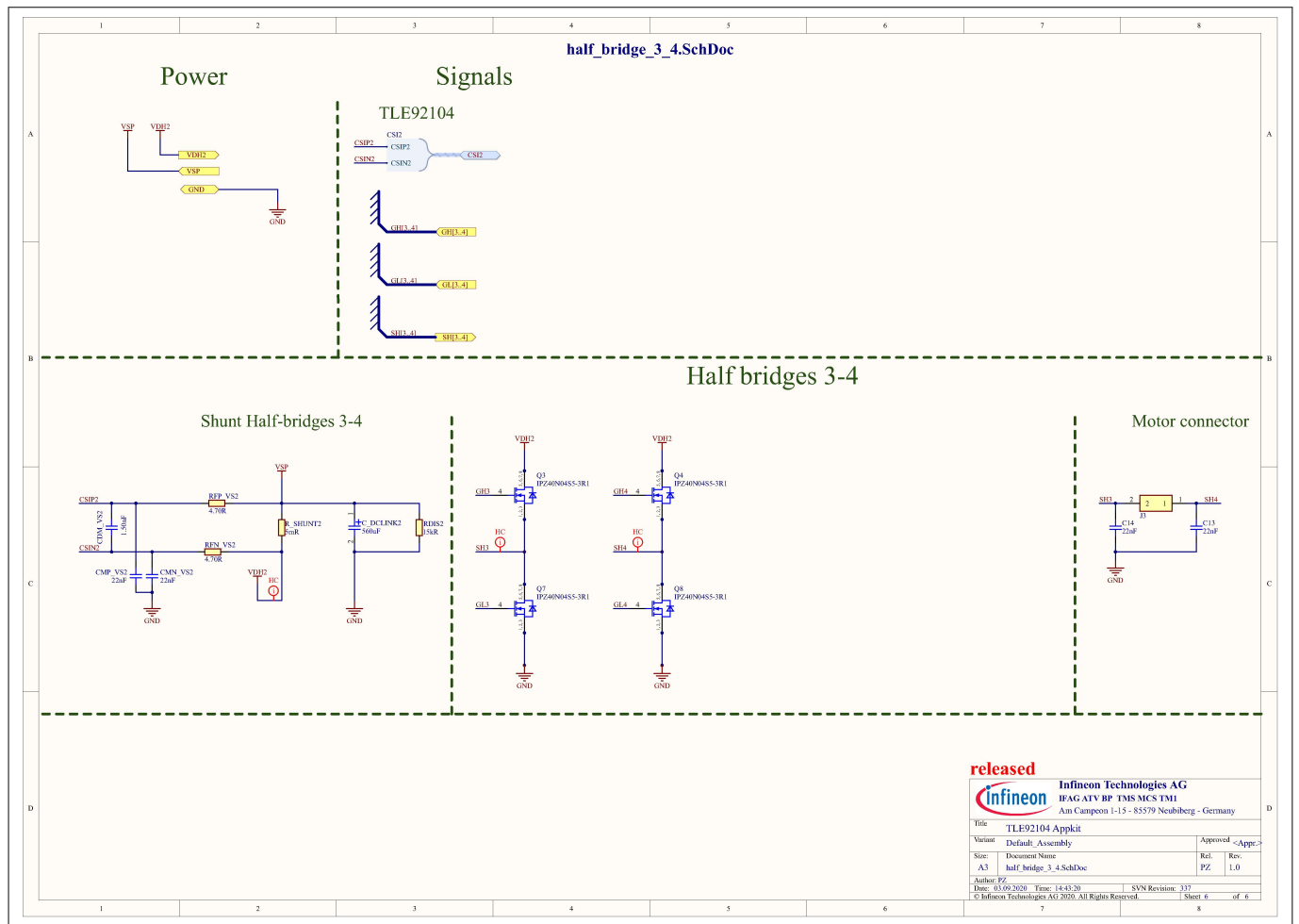


Figure 23 Schematic page 6

10 Schematics and layout

10.2 Layout

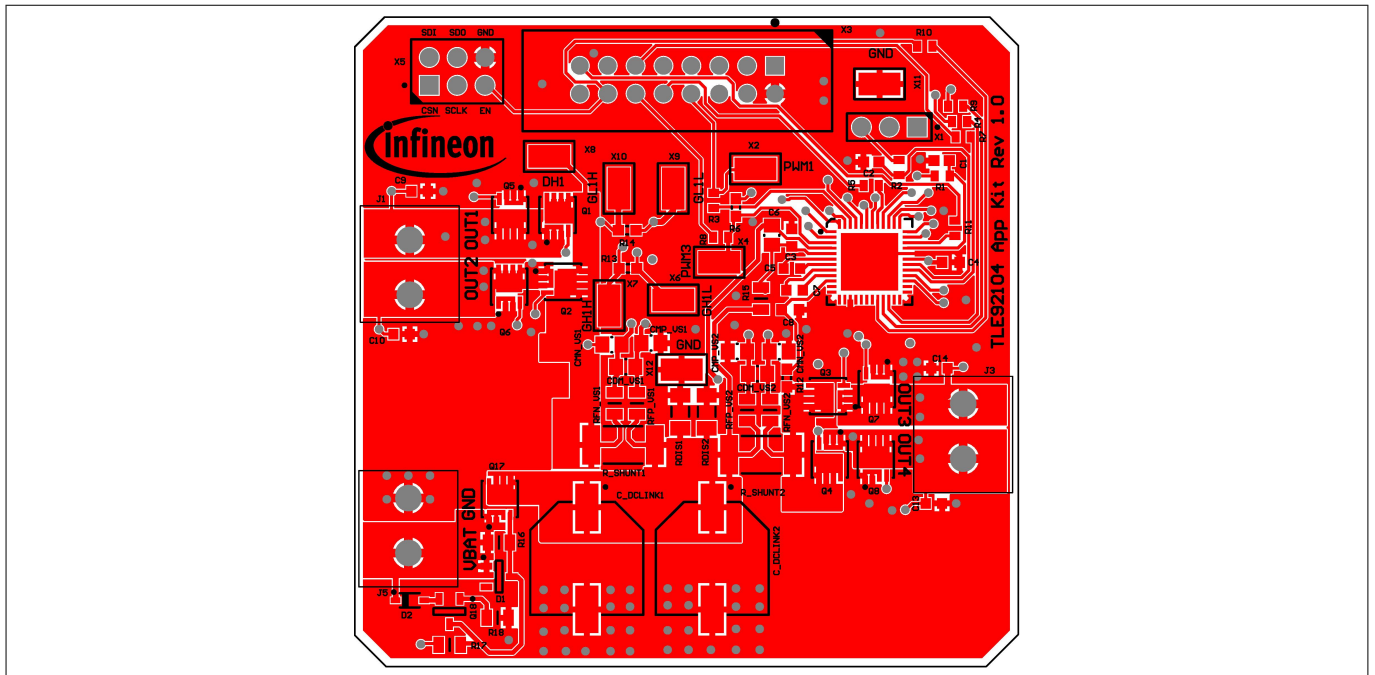


Figure 24 Top layer

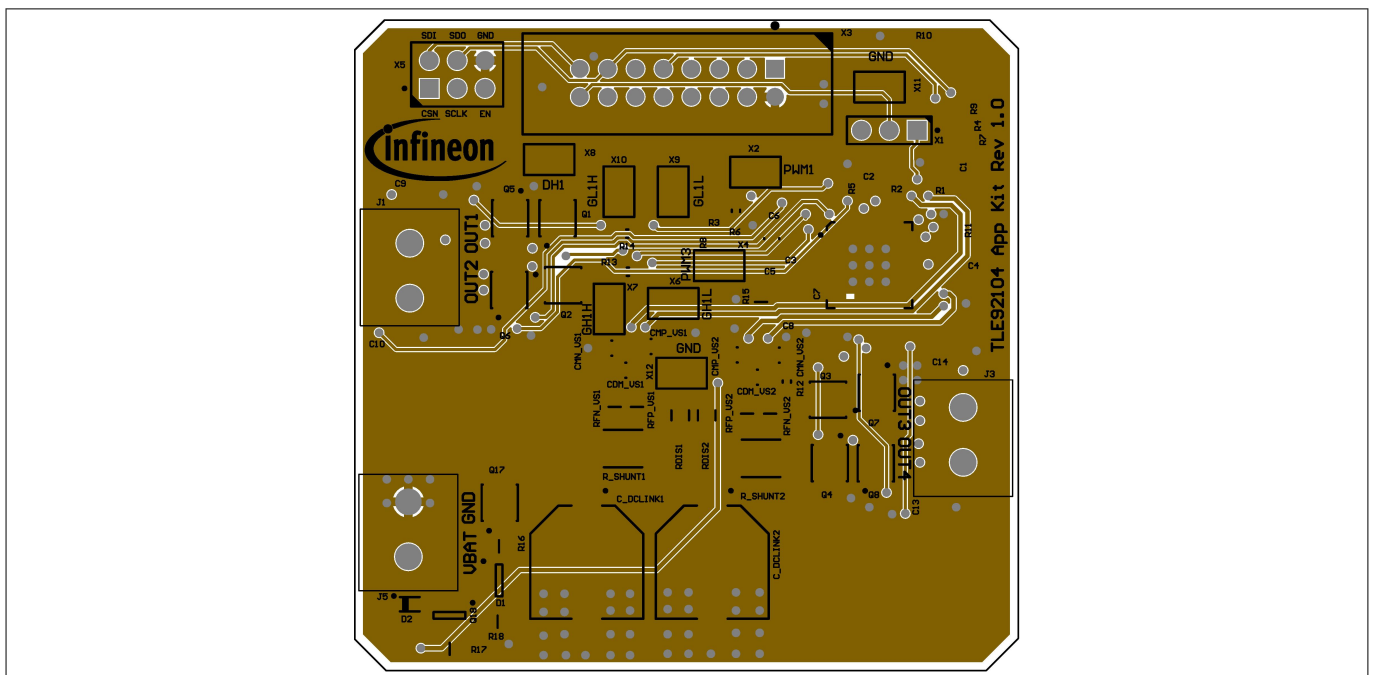


Figure 25 Layer 2

10 Schematics and layout

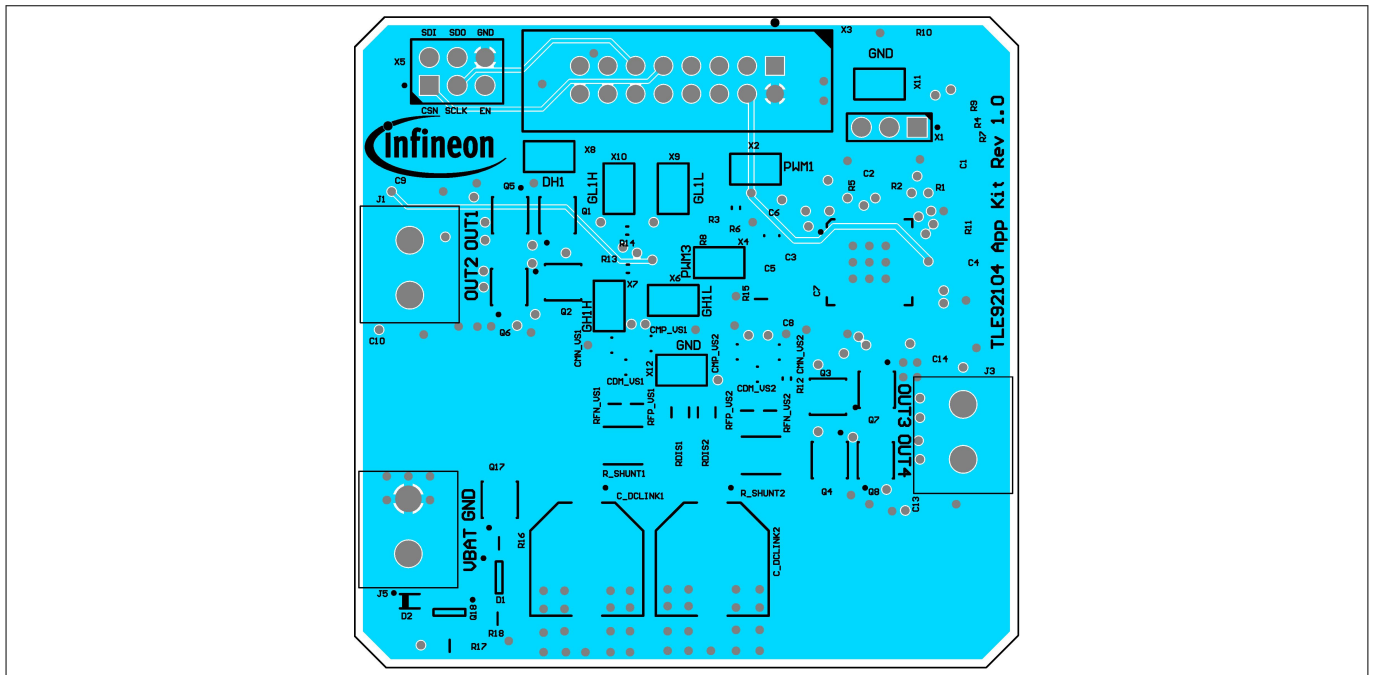


Figure 26 Layer 3

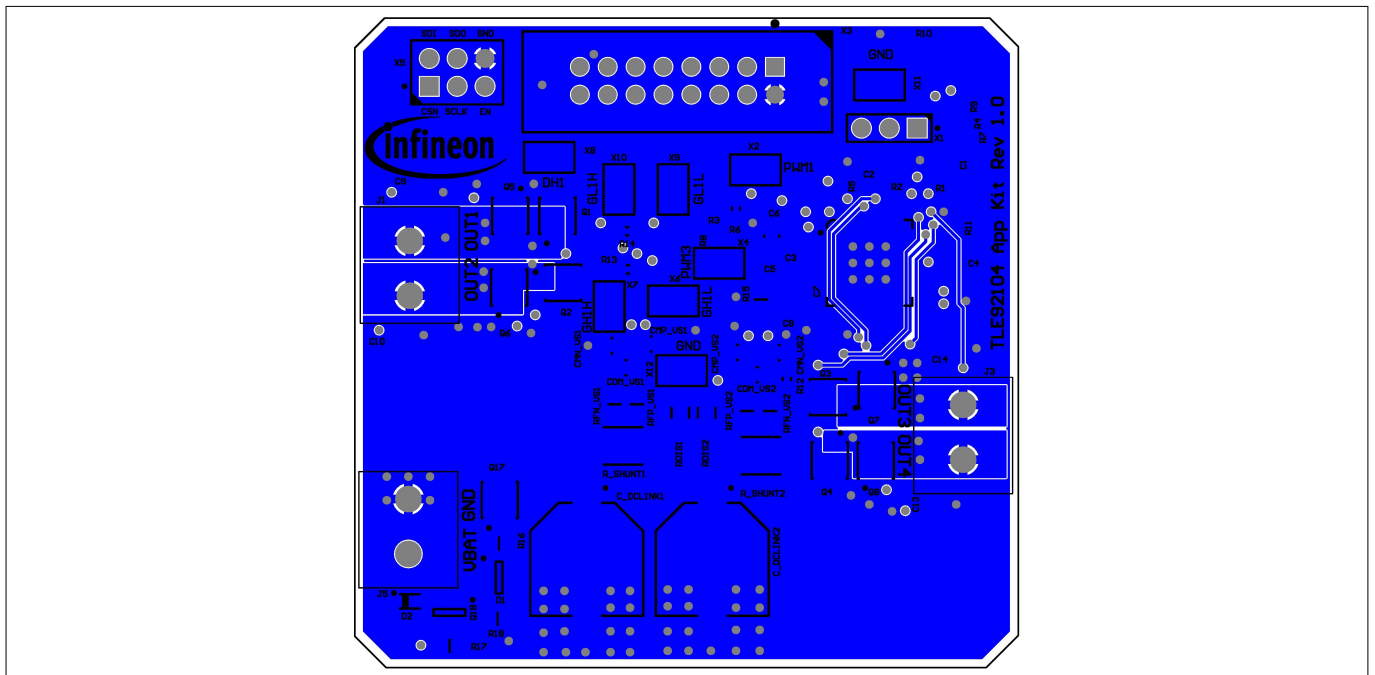


Figure 27 Bottom layer

11 Revision history**11 Revision history**

Revision	Date	Changes
v1.0	2020-12-28	Initial creation.

Trademarks

All referenced product or service names and trademarks are the property of their respective owners.

Edition 2020-12-28

Published by
Infineon Technologies AG
81726 Munich, Germany

© 2020 Infineon Technologies AG
All Rights Reserved.

Do you have a question about any aspect of this document?
Email: erratum@infineon.com

Document reference IFX-
nyd1600680666936

IMPORTANT NOTICE

The information given in this document shall in no event be regarded as a guarantee of conditions or characteristics ("Beschaffenhheitsgarantie").

With respect to any examples, hints or any typical values stated herein and/or any information regarding the application of the product, Infineon Technologies hereby disclaims any and all warranties and liabilities of any kind, including without limitation warranties of non-infringement of intellectual property rights of any third party.

In addition, any information given in this document is subject to customer's compliance with its obligations stated in this document and any applicable legal requirements, norms and standards concerning customer's products and any use of the product of Infineon Technologies in customer's applications.

The data contained in this document is exclusively intended for technically trained staff. It is the responsibility of customer's technical departments to evaluate the suitability of the product for the intended application and the completeness of the product information given in this document with respect to such application.

WARNINGS

Due to technical requirements products may contain dangerous substances. For information on the types in question please contact your nearest Infineon Technologies office.

Except as otherwise explicitly approved by Infineon Technologies in a written document signed by authorized representatives of Infineon Technologies, Infineon Technologies' products may not be used in any applications where a failure of the product or any consequences of the use thereof can reasonably be expected to result in personal injury.