

### Model No.: GPA76F

**Type** : Mercury and Lead Free Button Cell

**Chemical System** : Zinc/Manganese Dioxide

**Nominal Voltage** : 1.5V

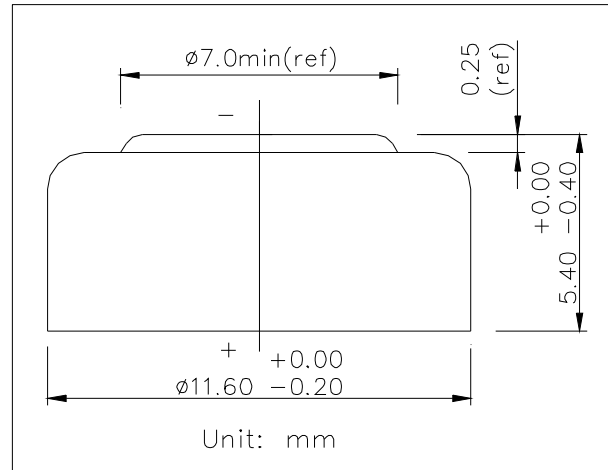
**Nominal Dimension** :  $\Phi 11.6 \times 5.4\text{mm}$

**Applications** : Calculator, hearing, lighter, camera,...etc.

**Average Weight** : 1.7g

**Shelf Life** : Not less than 90% of the service capacity within first year storage at  $20 \pm 2^\circ\text{C}$   $55 \pm 20\%$  RH; Warranty 1 year.

**Date Code** : Unless otherwise specified, each cell will carry a numeric year code and an alphabetical month code.



**Close Voltage** : **Circuit** : 1.3V(min.)(load resistor  $200\Omega$  at  $20^\circ\text{C}$  for 0.1 to 2 seconds)

**Nominal Life** : **Service** : 140hrs (load  $1.6\text{k}\Omega$  to cut off 1.0V under  $20^\circ\text{C}$ )

**Average Capacity** : **Service** : 110mAh (load  $1.6\text{k}\Omega$  to cut off 1.0V under  $20^\circ\text{C}$ )

**Cross References:**

IEC	Maxell	Duracell	Others
LR44	LR44	PX76A	V13GA, AG13

### Typical Discharge characteristics at $20 \pm 2^\circ\text{C}$

