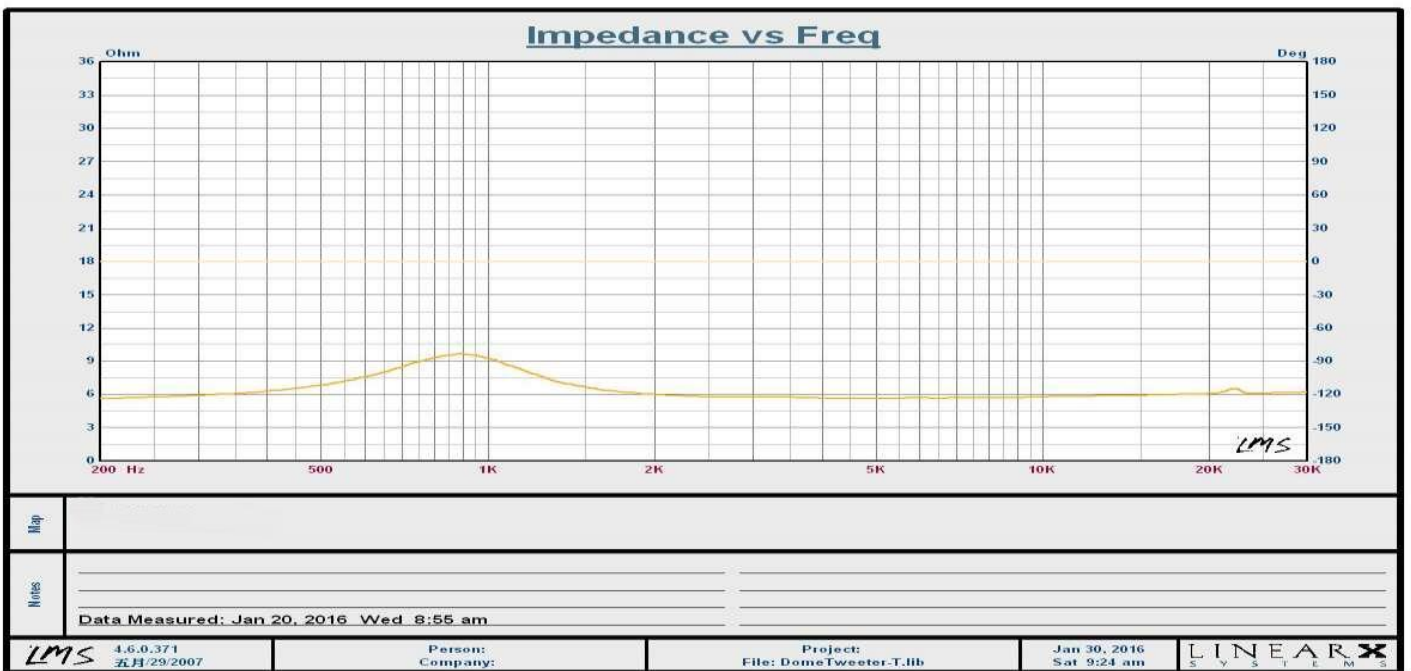
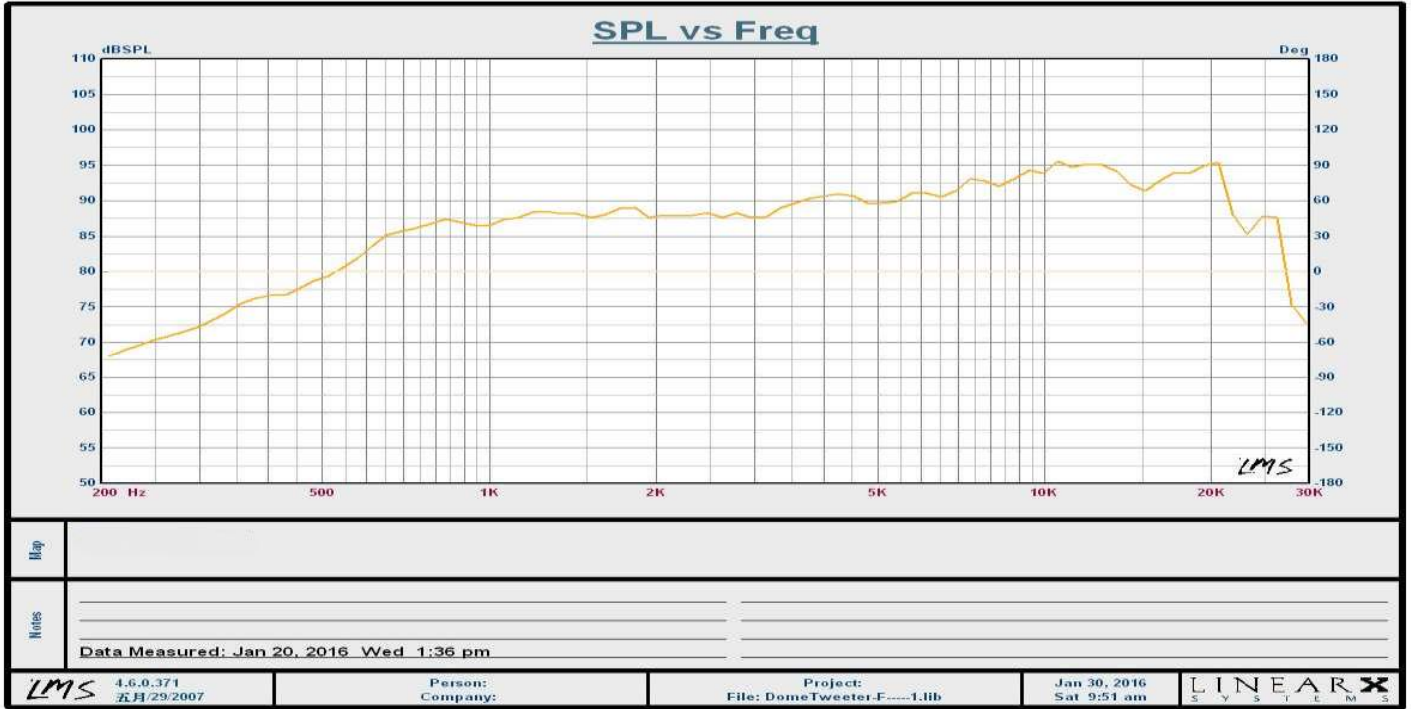


## 53-5165

50 WATT RMS, 1" TWEETER

A 1" aluminum dome tweeter that provides great accuracy, with no fatigue. Features an aluminum former, copper-clad aluminum voicecoil, and a silk surround.



# MCM AUDIO SELECT™

## 53-5165

50 WATT RMS, 1" TWEETER



### SPECIFICATIONS

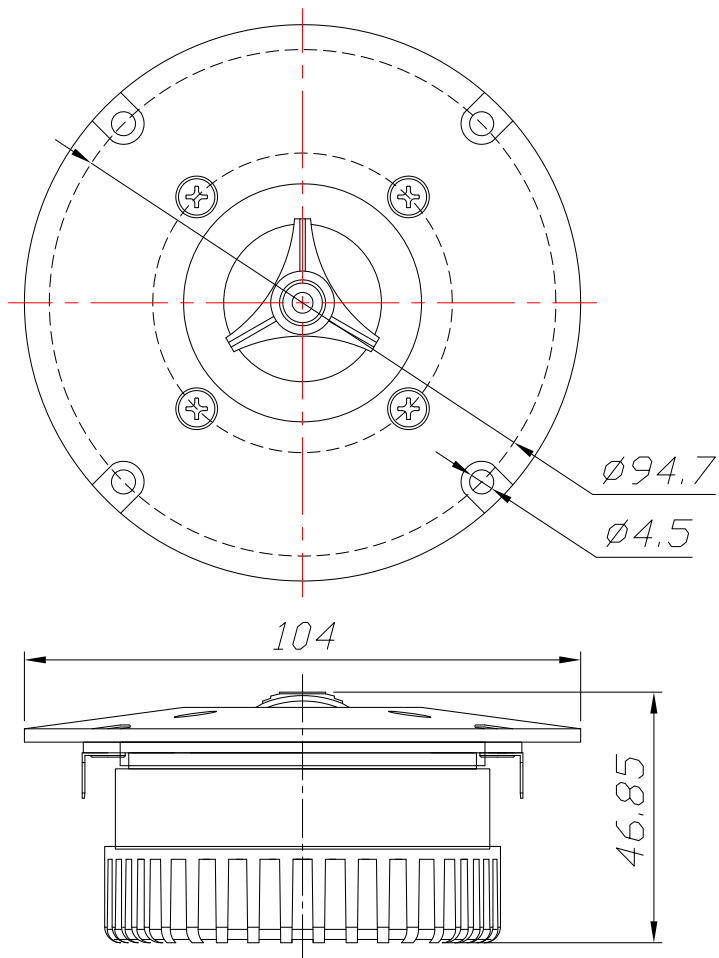
Frequency Response: 890 ~ 20KHz

Impedance: 6 ohms

Re: 5.2 ohms

Fo: 890 Hz

Sensitivity: 91dB



Dimensions : Millimetres