

## 8 Port DIN Rail Mountable Patch Panel



### 8 Port DIN Rail Mountable Patch Panel - unloaded (XDIN8)

VCÁQ~•ā \* Á&&[ { { [ áæ•Á] Á Á @|ááÁ|Á}•@|ááÁÁ^•q }^Á&[ ]^&q |•Á| ÁÁ@ ÁÁ^}•á Á á&@| á^|q  
 ā•c|áá| } Á} ÁÁ@ ÁáÁÚ~ áá|Á| Á•^Á á@Á!Á|Á| ]^|Á&[ ]^&@á ÁÁÁ Áæ^Á| Áæ•^ { à^Áá} áÁ•c|Á

#### : YUñ fYg`

- | Á [ |cÁ^•q }^ÁQ~•ā \* with port identification
- Cáb•cá|Áá \* |áá|Á| |cÁ| Áá[ , Á|Áá ]| [ |áæ^Á^} áÁáá•
- Designed for easy mounting on standard (35mm) DIN rail; also suitable for screw mounting on a wall
- C&&[ { { [ áæ•Á^•q }^•Á] Á Á Ě { { Á áá^
- Ú~ áá|Á| Á•^Á á@ÁVÚÁ|ÁVÚÁ•c|áá| }•Á Áá@ÁáÁ| [ çá^á
- CĀ^Á^cááá| Á| ÁVŠ| ÁGÁcá} ááá

#### GdYVZVUñjcbg`

- Net weight: 270g approx
- Dimensions: 80 x 63 x240mm (in primary packing)
- Colour: black and silver

#### AUHf]Ug`

- polycarbonate (fire retardant to UL94 V2 standard) and bright finish cold rolled steel (SPCC)

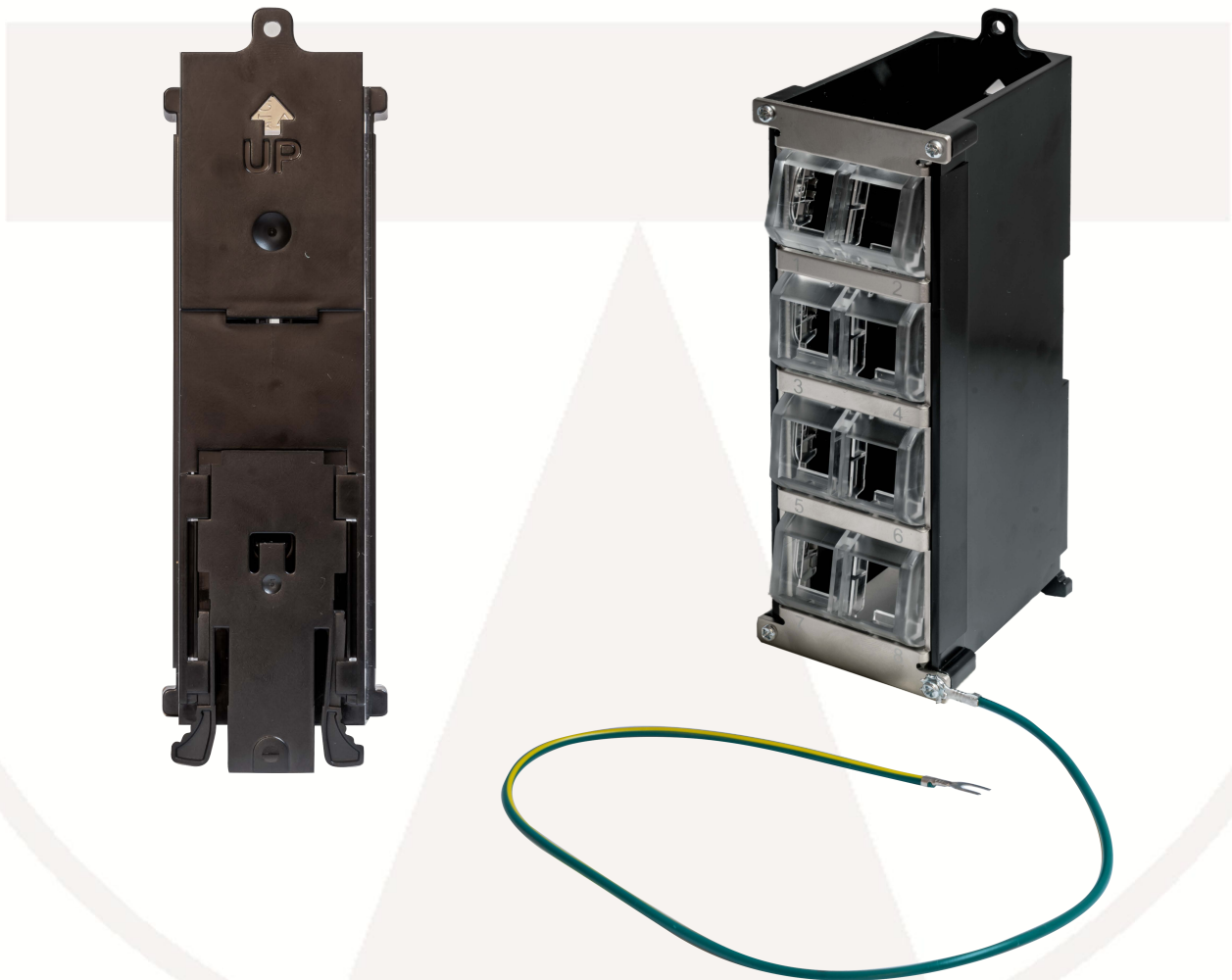
**Packaging:** Supplied in an individual carton

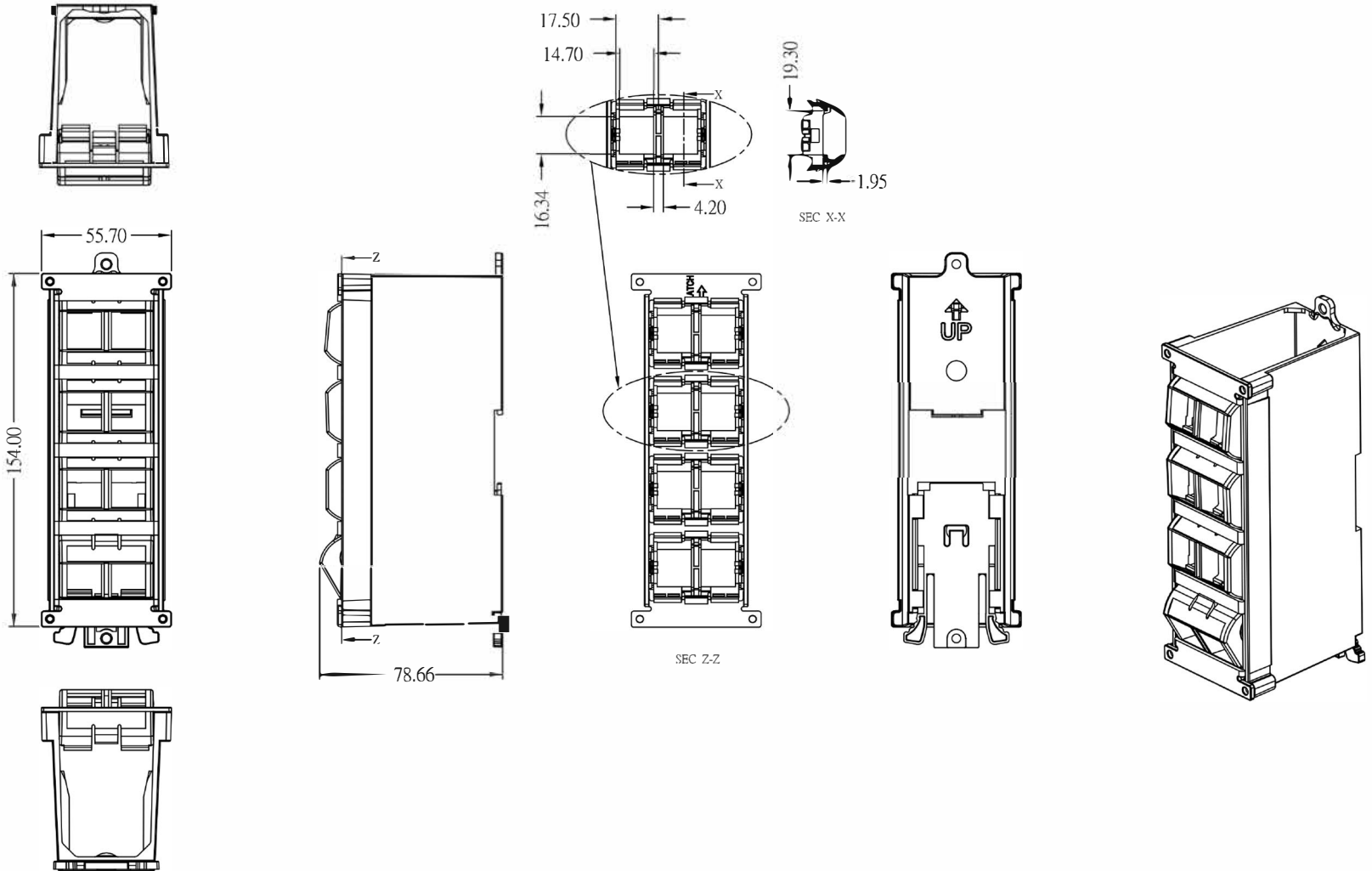
**Commodity code:** 85177090

**County of origin:** China

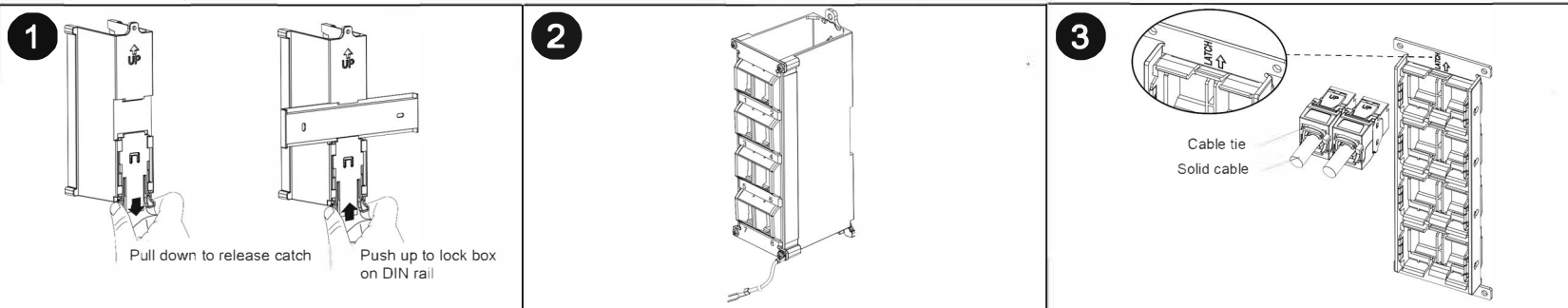
**EAN Number:** XDIN8 - 5055386509277

**Illustrative images**





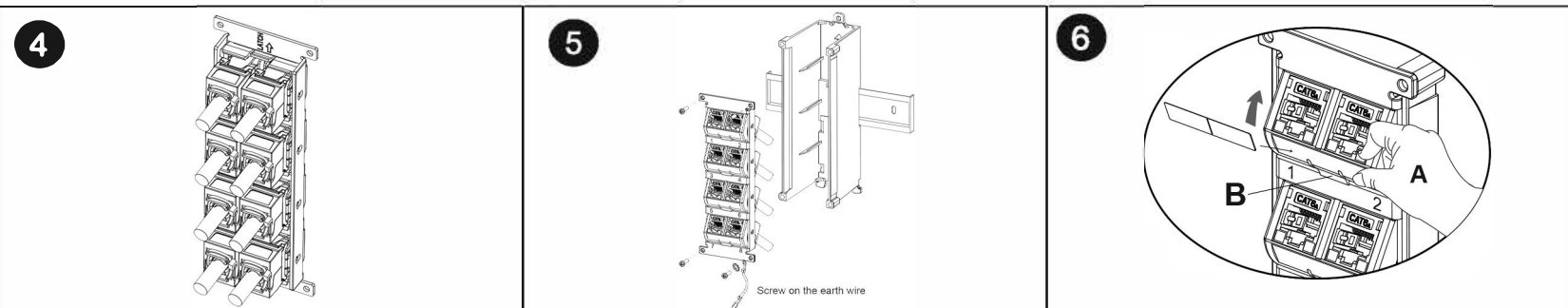
## DIN Rail Mountable Patch Panel Instructions



Mount the Box onto the DIN Rail

Finish cable termination on keystone modules.

Follow the "LATCH" marking to identify the module direction. Mount the assembled keystones from back of panel.



Snap the keystones into the panel.

Screw the panel with mounted keystones onto the housing. If appropriate, attach earth lead

Rotatable module options:

- A. Positioning - Rotate the bezel to desired direction until "CLICK" sound.
- B. Re-direction - Press the latch on bezel to release bezel and change the direction.