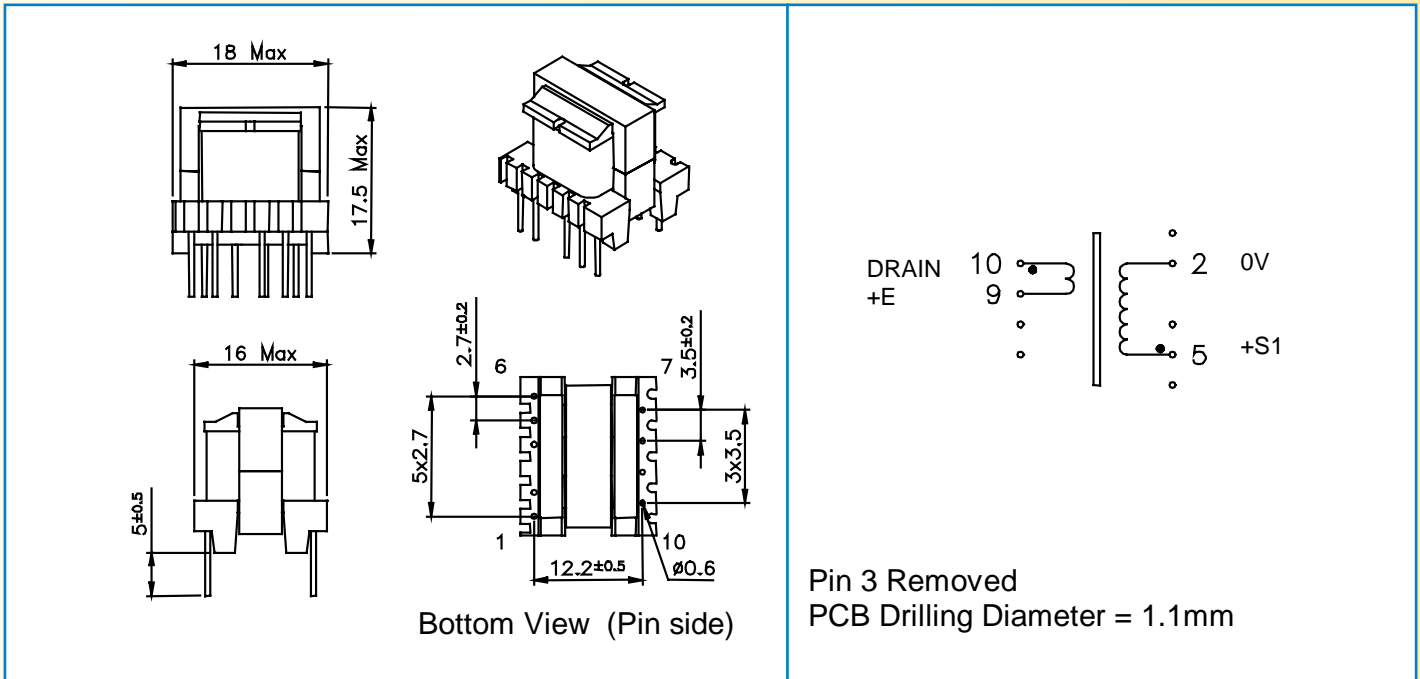




- Primary / Secondary Insulation $\geq 4000V$
- Creepage distance Primary / Secondary $\geq 6mm$
- Ambient temperature $< 85^{\circ}C$
- Construction conforms to IEC950, IEC335, IEC61558 for reinforced insulation
- Exclusively uses UL94-V0 listed materials



| MYRRA P / N | Output Power maximum | Windings | | | | | |
|----------------|----------------------------|----------|--------|-------|----------------|--------------------|------------------------|
| | | | Pins | Turns | Voltage | Current maximum | Inductance (+/-10%) |
| 74090 | 1.5 w | Pri | 10 – 9 | 228 | 50 – 95 (VOR) | 0.28 Apeak | 6000µH |
| | | S1 | 5 – 2 | 16 | 3.3 – 6 Vdc | 0.4 Adc | |
| 74091 | 1.5 w | Pri | 10 – 9 | 228 | 65 – 130 (VOR) | 0.28 Apeak | 6000µH |
| | | S1 | 5 – 2 | 28 | 7.5 – 15 Vdc | 0.2 Adc | |

Examples of application with Integrated Circuits :

| MYRRA P / N | Control IC Manufacturer | Control IC P / N | Input voltage | Power | Frequency |
|----------------|----------------------------|---------------------|---------------|-------|-----------|
| 74090 | Power Integrations | TNY253 | 85 - 265Vrms | 1.5w | 44kHz |
| 74091 | Power Integrations | TNY253 | 85 - 265Vrms | 1.5w | 44kHz |