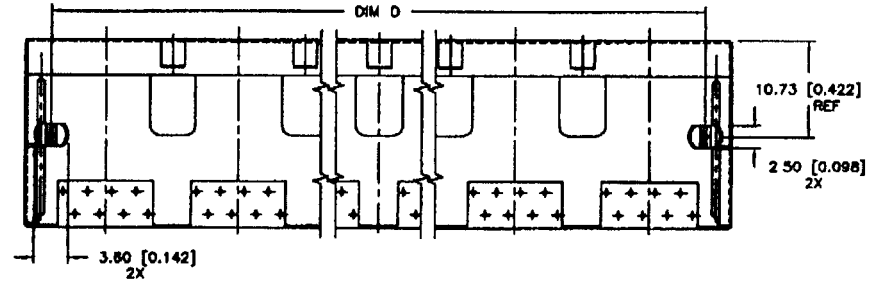
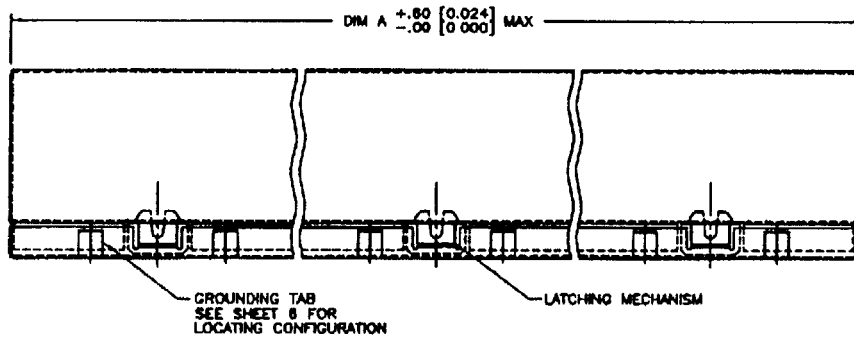
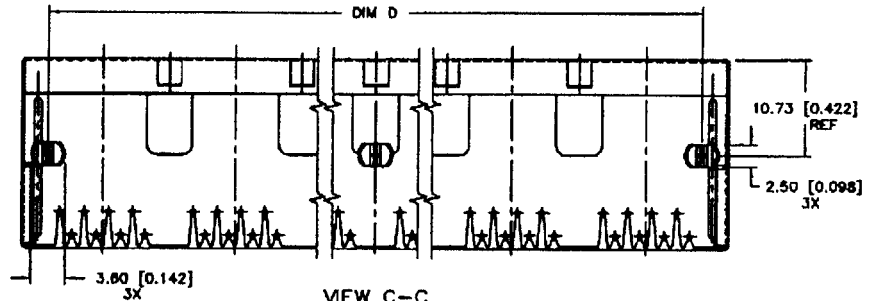


Tous droits strictement réservés. Reproduction ou communication o des biers interdite sans quelque forme que ce soit sans autorisation écrite du propriétaire.
 Property of ©BERG ELECTRONICS. Copyright ©BERG ELECTRONICS INC. Drats de reproduction BERG ELECTRONICS INC.

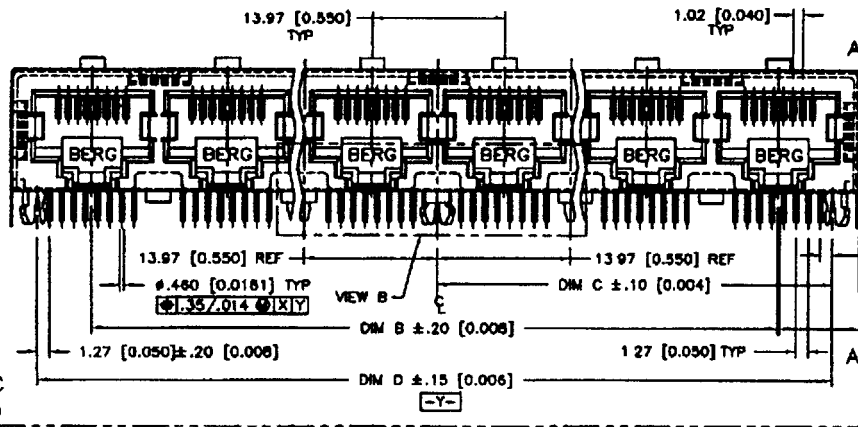
PRODUCT NO.
SEE TABLE



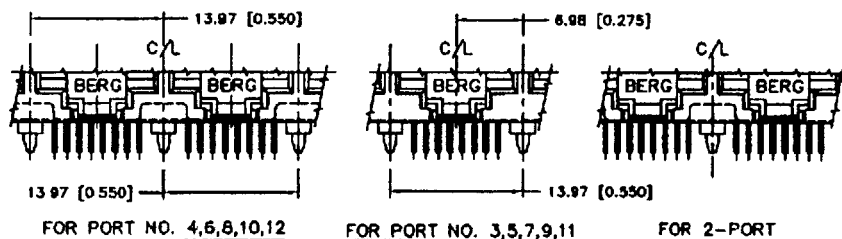
-XXX AND -XXXM PRODUCT ONLY (WITHOUT CENTER PEG - SEE NOTE 8)



-XXXM PRODUCT ONLY (WITH CENTER PEG - SEE NOTE 7)



- 1.27 [0.050]
- 2.78 [0.110] ±.20 [0.008] -X02M THRU -X12M, -X02 THRU -X12 & -X02M THRU -X12M
- 2.16 [0.085] ±.20 [0.008] -X01M, -X01AM, -X01, -X01A, -X01N & -X01AN
- 8.51 [0.335] -X02M THRU -X12M, -X02 THRU -X12 & -X02M THRU -X12M
- 7.87 [0.310] -X01M, -X01AM, X01, -X01A, -X01N & -X01AN



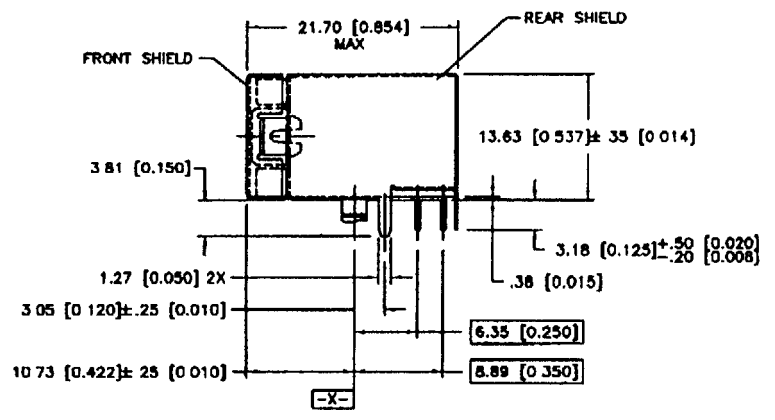
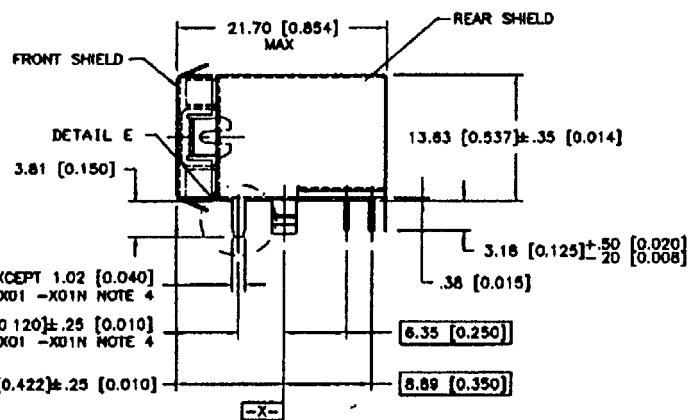
VIEW B
(CENTER PEG OMITTED FOR CLARITY,
-XXXM PRODUCT ONLY)

mot'l. code			tolerances unless otherwise specified		CUSTOMER COPY		BERG ELECTRONICS	
ltr	ecr no	dr	date	linear	X± 3/XX± 01	projection	title	
D	V51274	LSS	10/8/93		XX± 13/XXX± 008		R/A. 8 POS GANG JACK, ASSY SHIELDED, SNAP PEG	
E	V51373	LSS	10/31/93		XXX± 051/XXX± 0020		product family MOD JACK	
F	V51465	LSS	12/12/93	angles	σ ± 2	mm/INCH	size dwg no	
G	V80146	GAH	2/27/98	dr	KCHOU	3/18/93	code	
H	V81463	GAH	11/14/98	engr	TC	3/18/93	-	
J	T70374	OTA	9/8/97	chr	JTSAO	3/18/93	sheet	
K	T70367	RGD	7/18/98	appd	JTSAO	3/18/93	1 of 5	
sheet	revision	K	K	J	J	J		
index	sheet	1	2	3	4	5		

Tous droits strictement réservés. Reproduction ou communication à des tiers interdite sans quelque forme que ce soit sans autorisation écrite du propriétaire.
 Property of © BERG ELECTRONICS. Droits de reproduction BERG ELECTRONICS INC.

All rights strictly reserved. Reproduction or issue to third parties in any form whatever is not permitted without written authority from the proprietor.
 Property of © BERG ELECTRONICS. Copyright BERG ELECTRONICS INC.

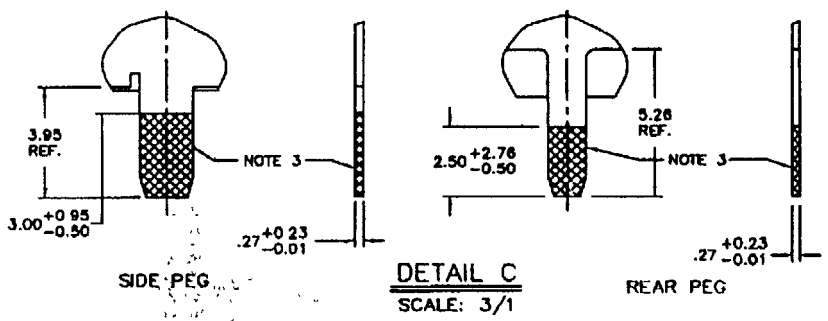
PRODUCT NO
 SEE TABLE



VIEW A-A P/N-X01AM, -X01A & -X01AN ONLY
 NOTE 5

NOTES:

1. RECOMMENDED P.C.B. THICKNESS 1.60 [0.063].
2. CONTACTS: PHOS BRONZE ALLOY UNS-C51000, ϕ 0.460 [0.0181] ROUND WIRE, PLATING SEE TABLE.
- ③ SHIELDING MAT'L: .25 [0.010] THICK BRASS ALLOY.
 SHIELDING PLATING: FOR 94910-XXX & 94910-XXXM: 2.54 μ m/100 μ " MIN BRIGHT TIN OR TIN-LEAD PLATED OVER 0.76 μ m/30 μ " MIN NICKEL UNDERPLATING PER BUS-15-002/M.
 FOR 94910-XXXN: 0.76 μ m/30 μ " MIN NICKEL PLATING, WITH SELECTIVE TIN LEAD ON SOLDER TAILS, SEE DETAIL E.
- ④ SPECIALLY FOR ONE-PORT P/N 94910-X01M, 94910-X01 & 94910-X01N ONLY. SOLDER TAIL OF SHIELD IS 1.02 [0.040] WIDE, DISTANCE FROM PCB PEG TO THE SOLDER TAIL IS 3.05 [0.120].
- ⑤ SPECIALLY FOR ONE-PORT P/N 94910-X01AM, 94910-X01A & 94910-X01AN ONLY. SOLDER TAIL OF SHIELD IS 1.27 [0.050] WIDE, DISTANCE FROM PCB PEG TO THE SOLDER TAIL IS 3.05 [0.120].
6. ALL DIMENSIONS IN MILLIMETERS/INCHES.
- ⑦ CENTER PEG FOR 8-PORTS AND ABOVE. (-XXXM PRODUCT ONLY).
- ⑧ NO CENTER PEG AVAILABLE ON -XXX & -XXXN PRODUCT.



mat'l. code				tolerances unless otherwise specified		CUSTOMER COPY		BERG ELECTRONICS	
ltr	ecn no	dr	date	linear	XX.3/.XX±.01	projection		title	
K					.XX±.13/.XX±.005	⊕		R/A. 8 POS GANG JACK. ASSY SHIELDED, SNAP PEG	
				angles	.XX±.051/.XX±.0020	mm/INCH		product family MOD JACK	
				dr	KCHOU 5/4/94	scale		size dwg no	
				engr	TC 5/4/94	1:1		A4	
				chr	JTSAO 5/4/94			94910	
				oppd	JTSAO 5/4/94			sheet 2 of	
sheet index	revision sheet							cage code 22526	

Tous droits strictement réservés. Reproduction ou communication à des tiers interdite sans quelque forme que ce soit sans autorisation écrite de propriétaire.
 Property of ©BERG ELECTRONICS. Droits de reproduction BERG ELECTRONICS INC.



All rights strictly reserved. Reproduction or issue to third parties in any form whatsoever is not permitted without written authority from the proprietor.
 Property of ©BERG ELECTRONICS. Copyright BERG ELECTRONICS INC.

PRODUCT No.	No. OF PORTS	DIM A $\begin{matrix} +.60 \\ -0 \end{matrix}$ [0.024]	DIM B	DIM C $\pm .10$ [0.004]	DIM D $\pm .15$ [0.006]	GROUND LEG NO. ON THE BACK (VIEW B)	NOTE
94910-X01M	1	15.74 [0.620]	-----	5.72 [0.225]	11.43 [0.450]	NONE	NOTE 4
94910-X01AM	1	15.74 [0.620]	-----	5.72 [0.225]	11.43 [0.450]	NONE	NOTE 5
94910-X02M	2	30.98 [1.220]	13.97 [0.550]	12.70 [0.500]	25.40 [1.000]	1	----
94910-X03M	3	44.95 [1.770]	27.94 [1.100]	19.89 [0.775]	39.37 [1.550]	2	----
94910-X04M	4	58.92 [2.320]	41.91 [1.650]	26.67 [1.050]	53.34 [2.100]	3	----
94910-X05M	5	72.89 [2.870]	55.88 [2.200]	33.66 [1.325]	67.31 [2.650]	2	----
94910-X06M	6	86.88 [3.420]	69.85 [2.750]	40.64 [1.600]	81.28 [3.200]	3	----
94910-X07M	7	100.83 [3.970]	83.82 [3.300]	47.63 [1.875]	95.25 [3.750]	2	----
94910-X08M	8	114.80 [4.520]	97.79 [3.850]	54.61 [2.150]	109.22 [4.300]	3	----
94910-X09M	9	128.77 [5.070]	111.76 [4.400]	61.60 [2.425]	123.19 [4.850]	2	----
94910-X10M	10	142.74 [5.620]	125.73 [4.950]	68.58 [2.700]	137.16 [5.400]	3	----
94910-X11M	11	156.71 [6.170]	139.70 [5.500]	75.57 [2.975]	151.13 [5.950]	2	----
94910-X12M	12	170.68 [6.720]	153.67 [6.050]	82.55 [3.250]	165.10 [6.500]	3	----

PLATING CODE X	PLATING
0	.78uM/30u" G.X T
1	.38uM/15u" GOLD
3	.78uM/30u" GOLD
5	1.27uM/50u" GOLD

PRODUCT No.	No. OF PORTS	DIM A $\begin{matrix} +.60 \\ -0 \end{matrix}$ [0.024]	DIM B	DIM C $\pm .10$ [0.004]	DIM D $\pm .15$ [0.006]	GROUND LEG NO. ON THE BACK (VIEW B)	NOTE
94910-X01	1	15.74 [0.620]	-----	5.72 [0.225]	11.43 [0.450]	NONE	NOTE 4
94910-X01A	1	15.74 [0.620]	-----	5.72 [0.225]	11.43 [0.450]	NONE	NOTE 5
94910-X02	2	30.98 [1.220]	13.97 [0.550]	12.70 [0.500]	25.40 [1.000]	1	----
94910-X03	3	44.95 [1.770]	27.94 [1.100]	19.89 [0.775]	39.37 [1.550]	2	----
94910-X04	4	58.92 [2.320]	41.91 [1.650]	26.67 [1.050]	53.34 [2.100]	3	----
94910-X05	5	72.89 [2.870]	55.88 [2.200]	33.66 [1.325]	67.31 [2.650]	2	----
94910-X06	6	86.88 [3.420]	69.85 [2.750]	40.64 [1.600]	81.28 [3.200]	3	----
94910-X07	7	100.83 [3.970]	83.82 [3.300]	47.63 [1.875]	95.25 [3.750]	2	----
94910-X08	8	114.80 [4.520]	97.79 [3.850]	54.61 [2.150]	109.22 [4.300]	3	----
94910-X09	9	128.77 [5.070]	111.76 [4.400]	61.60 [2.425]	123.19 [4.850]	2	----
94910-X10	10	142.74 [5.620]	125.73 [4.950]	68.58 [2.700]	137.16 [5.400]	3	----
94910-X11	11	156.71 [6.170]	139.70 [5.500]	75.57 [2.975]	151.13 [5.950]	2	----
94910-X12	12	170.68 [6.720]	153.67 [6.050]	82.55 [3.250]	165.10 [6.500]	3	----

mat'l. code				tolerances unless otherwise specified		CUSTOMER COPY	BERG ELECTRONICS
ltr	ecn no	dr	date	linear	$.XX \pm .3 / .XX \pm .01$		
J					$.XX \pm .13 / .XX \pm .005$		R/A. 8 POS GANG JACK. ASSY SHIELDED, SNAP PEG
				angles	$.XXX \pm .051 / .XXX \pm .0020$		
				dr	$\sigma \pm Z$	scale	MOD JACK
				engr	KCHOU 5/4/94		
				chr	TC 5/4/94	A4	size/dwg no
				app	JTSAO 5/4/94		
sheet	revision						3 of
index	sheet						

Tous droits strictement réservés. Reproduction ou communication e des plans interdite sans aucune forme que ce soit sans autorisation écrite de propriétaire.
 Property of ©BERG ELECTRONICS. Drets de reproduction BERG ELECTRONICS INC.



All rights strictly reserved. Reproduction or issue to third parties in any form whatever is not permitted without written authority from the proprietor.
 Property of ©BERG ELECTRONICS. Copyright BERG ELECTRONICS INC.

PRODUCT No.	No. OF PORTS	DIM A ^{+0.60} ₋₀ [0.024]	DIM B	DIM C ±.10 [0.004]	DIM D ±.15 [0.006]	GROUND LEG NO ON THE BACK (VIEW 6)	NOTE
94910-X01N	1	15.74 [0.620]	-----	5.72 [0.225]	11.43 [0.450]	NONE	NOTE 4
94910-X01AN	1	15.74 [0.620]	-----	5.72 [0.225]	11.43 [0.450]	NONE	NOTE 5
94910-X02N	2	30.98 [1.220]	13.97 [0.550]	12.70 [0.500]	25.40 [1.000]	1	---
94910-X03N	3	44.95 [1.770]	27.94 [1.100]	19.69 [0.775]	39.37 [1.550]	2	---
94910-X04N	4	58.92 [2.320]	41.91 [1.650]	26.67 [1.050]	53.34 [2.100]	3	---
94910-X05N	5	72.89 [2.870]	55.88 [2.200]	33.66 [1.325]	67.31 [2.650]	2	---
94910-X06N	6	86.85 [3.420]	69.85 [2.750]	40.64 [1.600]	81.28 [3.200]	3	---
94910-X07N	7	100.83 [3.970]	83.82 [3.300]	47.63 [1.875]	95.25 [3.750]	2	---
94910-X08N	8	114.80 [4.520]	97.79 [3.850]	54.61 [2.150]	109.22 [4.300]	3	---
94910-X09N	9	128.77 [5.070]	111.76 [4.400]	61.60 [2.425]	123.19 [4.850]	2	---
94910-X10N	10	142.74 [5.620]	125.73 [4.950]	68.58 [2.700]	137.16 [5.400]	3	---
94910-X11N	11	156.71 [6.170]	139.70 [5.500]	75.57 [2.975]	151.13 [5.950]	2	---
94910-X12N	12	170.68 [6.720]	153.67 [6.050]	82.55 [3.250]	165.10 [6.500]	3	---

PLATING CODE X	PLATING
0	.76uM/30u" G.X T.
1	.38uM/15u" GOLD
3	.76uM/30u" GOLD
5	1.27uM/50u" GOLD

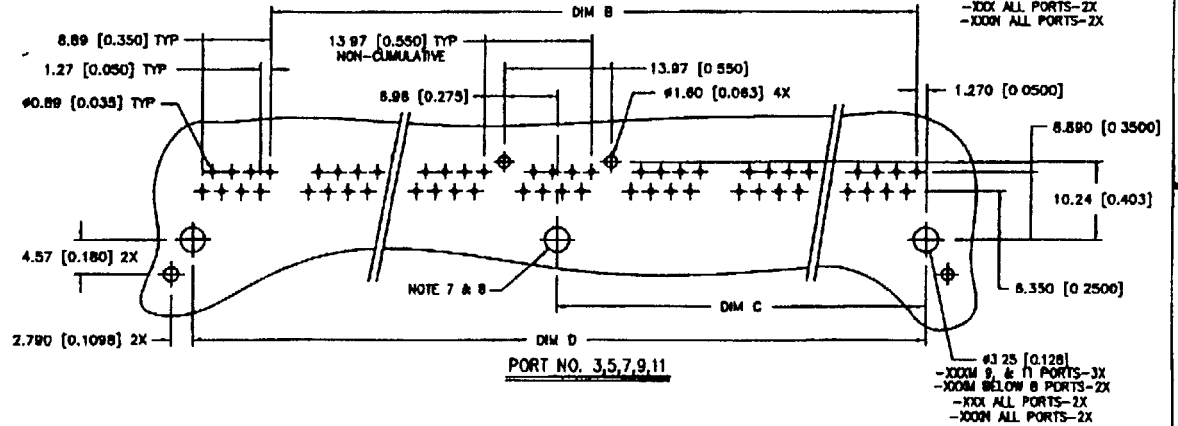
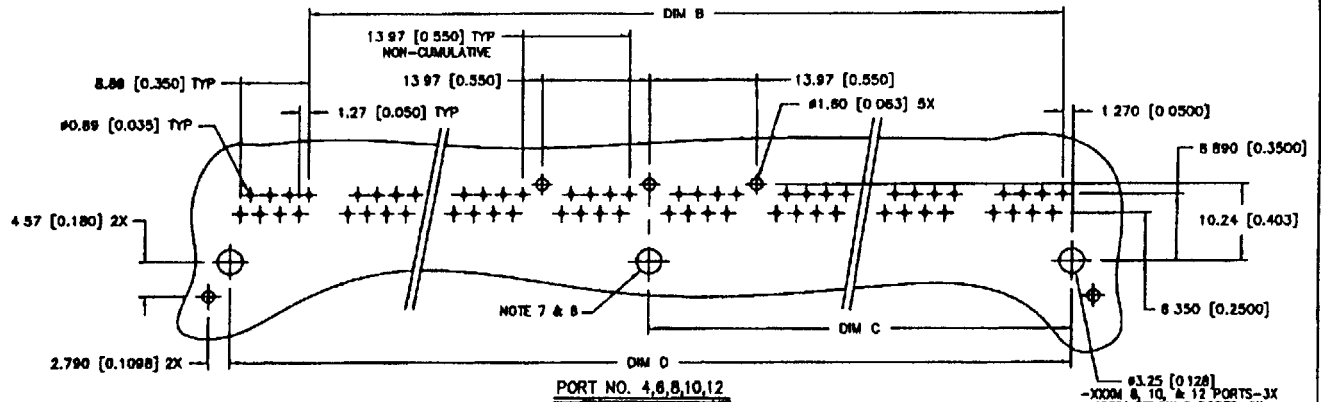
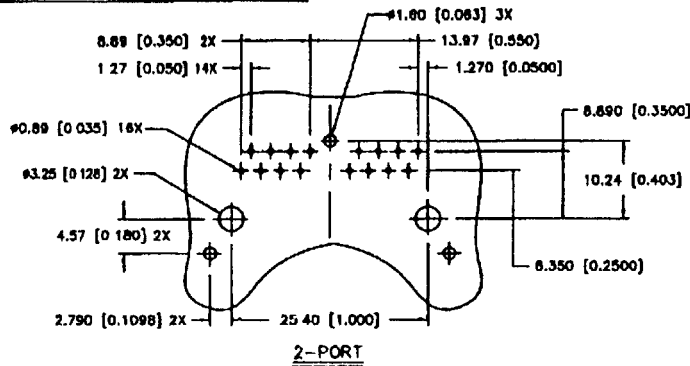
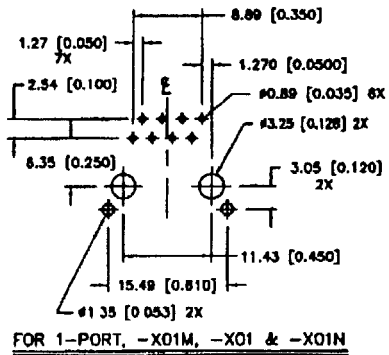
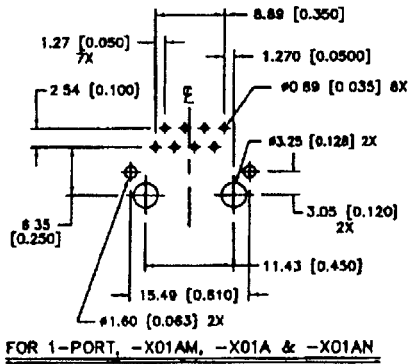
mat'l. code				tolerances unless otherwise specified		CUSTOMER COPY		BERG ELECTRONICS	
ltr	ecn no	dr	date	linear	.XX±.3/.XX±.01		projection	Title R/A. 8 POS GANG JACK, ASSY SHIELDED, SNAP PEG	
J					.XX±.13/.XX±.005				
				angles	.XX±.051/.XX±.0020		mm/INCH	product family MOD JACK	
					α ±2°			size	dwg no
				dr	KCHOU	5/4/94	scale	A4	
				engr	TC	5/4/94		94910	
				chr	JTSAO	5/4/94	1:1	sheet	
				appd	JTSAO	5/4/94		4 of	
sheet	revision								
index	sheet								

Tous droits strictement réservés. Reproduction ou communication à des tiers interdite sans la permission écrite de BERG ELECTRONICS. Propriété de BERG ELECTRONICS. Droits de reproduction BERG ELECTRONICS INC.

BERG
ELECTRONICS

All rights strictly reserved. Reproduction or issue to third parties in any form without the permission of BERG ELECTRONICS. Copyright BERG ELECTRONICS INC.

PRODUCT NO.
SEE TABLE



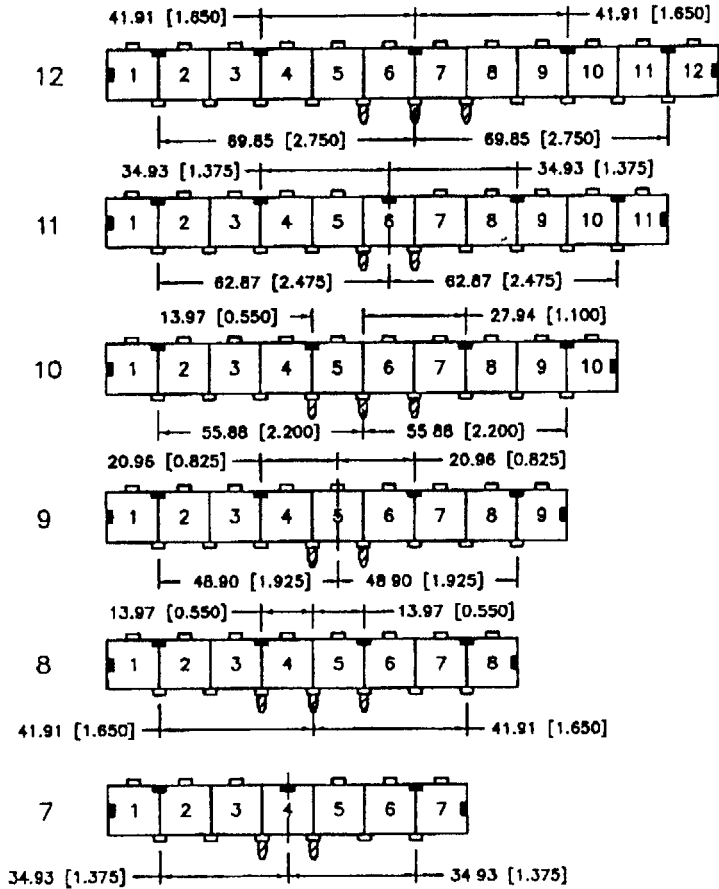
RECOMMENDED P.C.B LAYOUT

mat'l. code		tolerances unless otherwise specified		CUSTOMER COPY		BERG ELECTRONICS			
Rr	ecn no	dr	date	linear	projection	Title			
J				$.XX \pm .13 / .XXX \pm .008$		R/A. 8 POS GANG JACK. ASSY SHIELDED, SNAP PEG			
				$.XXX \pm .051 / .XXX \pm .0020$		product family	MOD JACK		
				angles		size	dwg no	code	
				dr	KCHOU	5/4/94	A4	94910	
				engr	TC	5/4/94			sheet
				chr	JTSAO	3/4/94			5 of
				oppd	JTSAO	3/4/94			
sheet index	revision sheet				scale	1:1			

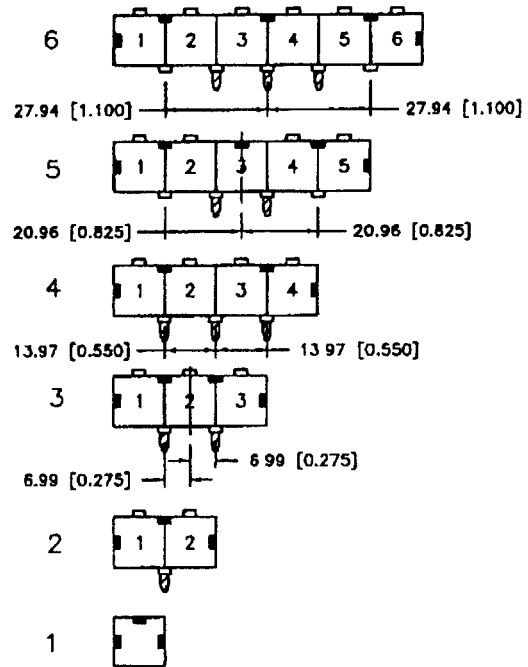
LATCHING AND GROUNDING TAB LOCATING CONFIGURATION

- INDICATES LATCHING TAB (SEE SHEET 1)
- INDICATES GROUNDING TAB ON THE FRONT OF PRODUCT (SEE SHEET 1)
- ▨ INDICATES GROUNDING LEG ON THE BACK OF PRODUCT (VIEW B)

PORT NUMBERS



PORT NUMBERS



Tous droits strictement réservés. Reproduction ou communication à des tiers interdite
 sous quelque forme que ce soit sans autorisation écrite de propriétaire.
 Property of ©BERG ELECTRONICS. Droits de reproduction BERG ELECTRONICS INC.

BERG
 ELECTRONICS

All rights strictly reserved. Reproduction or use to third parties in any form
 whatever is not permitted without written authority from the proprietor.
 Property of ©BERG ELECTRONICS Copyright BERG ELECTRONICS INC.

mat'l code		tolerances unless otherwise specified		CUSTOMER COPY		BERG ELECTRONICS	
lfr	ech no	dr	date	linear	.X± 3/XXX±.01	projection	100%
J					.XXX±.13/XXX±.005		Utlis R/A. 8 POS GANG JACK. ASSY SHIELDED, SNAP PEG
				angles	XXX±.051/XXX±.0020		
				dr	KCHOU	5/4/94	product family
				engr	TC	5/4/94	MOD JACK
				chr	JTSAO	5/4/94	code
				appd	JTSAO	5/4/94	size
sheet	revision						dwg no
index	sheet						94910
							sheet
							6 of