

# Product / Process Change Notification



N° 2021-074-A

Dear customer,

Please find attached our Infineon Technologies AG PCN:

## Introduction of updated bill of material including harmonized substrate inner design for IM69D120V01 and IM69D130V01

Important information for your attention:

- Please respond to this PCN by indicating your decision on the approval form, sign it and return to your sales partner before **13 July 2021**
- Infineon aligns with the widely-recognized JEDEC STANDARD “**JESD46**“, which stipulates:  
“**Lack of acknowledgement of the PCN within 30 days constitutes acceptance of the change.**”

Your prompt reply will help Infineon Technologies to assure a smooth and well executed transition. If Infineon does not hear from your side by the due date, we will assume your full acceptance to this proposed change and its implementation.

Your attention and response to this matter is greatly appreciated.

Infineon Technologies AG  
Postal Address Headquarters: Am Campeon 1-15, D-85579 Neubiberg, Phone +49 (0)89 234-0  
Chairman of the Supervisory Board: Dr. Wolfgang Eder  
Management Board: Dr. Reinhard Ploss (CEO), Dr. Helmut Gassel, Jochen Hanebeck, Constanze Hufenbecher, Dr. Sven Schneider  
Registered Office: Neubiberg  
Commercial Register: München HRB 126492

# Product / Process Change Notification



N° 2021-074-A

## ► Products affected

Please refer to attached affected product list 1\_cip21074\_a



## ► Detailed change information

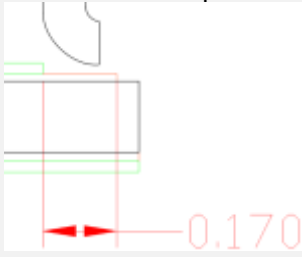
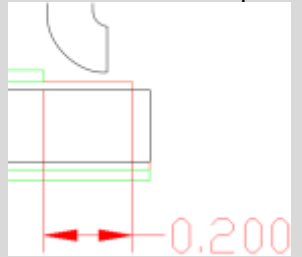
### Subject

Introduction of updated bill of material including harmonized substrate inner design for IM69D120V01 and IM69D130V01.

### Reason

Process harmonization between Infineon Technologies microphones.

### Description

<u>Old</u>	<u>New</u>
<ul style="list-style-type: none"><li>Shield track: 170µ</li></ul> 	<ul style="list-style-type: none"><li>Shield track: 200µm</li></ul> 
<ul style="list-style-type: none"><li>ASIC attach: Die attach film</li></ul>	<ul style="list-style-type: none"><li>ASIC attach: Epoxy glue</li></ul>
<ul style="list-style-type: none"><li>Solder material: SAC305</li></ul>	<ul style="list-style-type: none"><li>Solder material: Sn90Sb10</li></ul>

## ► Product identification

Traceability assured via date code.  
No change in SP ordering number.

## ► Impact of change

No impact on acoustical and electrical performance. Quality and reliability verified by qualification. There is no change in form, fit and function.

## ► Attachments

1\_cip21074\_a affected product list

## ► Time schedule

■ Final qualification report	available
■ First samples available	on request
■ Intended start of delivery	2021-09-01 or earlier based on customer approval

If you have any questions, please do not hesitate to contact your local sales office.