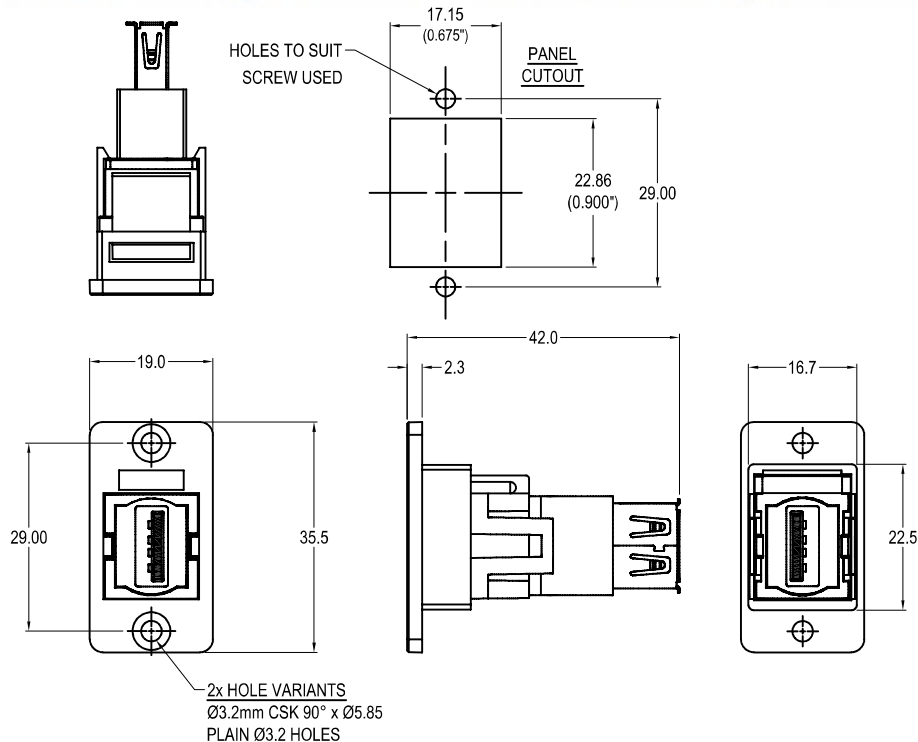


# CLIFF

## SLIM USB2.0 A-A FRONT MOUNTING METAL FRAME FEEDTHROUGH



### VARIANTS

Part No.

**CP30608NM**

SLIM FM USB2.0 A-A Nickel frame, CSK holes

**CP30608NMB**

SLIM FM USB2.0 A-A Black metal frame, CSK holes

**CP30608NMX1**

SLIM FM USB2.0 A-A Nickel frame, Ø3.2 PLAIN holes

**CP30608NMBX1**

SLIM FM USB2.0 A-A Black metal frame, Ø3.2 PLAIN holes

### Feedthrough Features

- Fits standard rectangular cutout.
- Various hole mounting options.
- No soldering or punch termination. Use standard cable for each connector style.
- Low rear profile.

### General:

Please note: Functionality is affected by cable quality, length and cable wiring configuration.

### Material:

1. Insert: ABS UL94 HB
2. Frame: Diecast, Nickel or Black plated
3. Inner Overmouldings: PE + PVC
4. Shell: Nickel plated steel
5. Contacts: Gold Plated

### Notes:

1. Voltage rating: 30V ac
2. Current rating: 1.5 A max
3. Contact resistance: 50mΩ max
4. Insulation resistance: 20MΩ min
5. Dielectric withstanding voltage: 500V AC
6. Operating Temperature: -20°C to 50°C